

128Kx8 Monolithic CMOS Static RAM, High Speed

The EDI88130CS is a high speed, high performance, monolithic Static RAM organized as 128Kx8 bits.

An additional chip enable line provides system memory security during power down in non-battery backed up systems and memory banking in high speed battery backed up systems where large multiple pages of memory are required.

The EDI88130CS has eight bi-directional input-output lines to provide simultaneous access to all bits in a word.

A low power version, EDI88130LPS, offers a 2V data retention function for battery back-up applications.

Military product is compliant to MIL-STD-883, Paragraph 1.2.1. Industrial Grade product is also available.

Features

128Kx8 bits Monolithic CMOS Static Random Access Memory

- Fast Access Times: 17*, 20, 25, 35, 45, and 55ns
- Battery Back-up Operation 2V Data Retention (EDI88130LPS)
- $\bar{E}1$, $E2$ & \bar{G} Functions for Bus Control
- Inputs and Outputs Directly TTL Compatible
- Fully Static, No Clocks

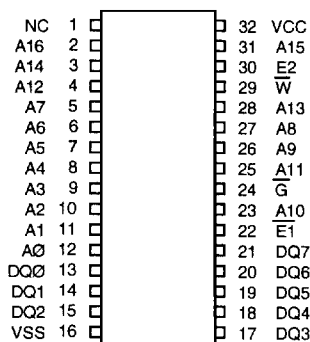
Thru-hole and surface mount package options

- 32 Pin Dual-in-line Packages, JEDEC Pinout Sidebraced DIP, 600 mils Wide, No. 9 Sidebraced DIP, 400 mils Wide, No. 102
- 32 Pad LCC, No. 141
- 32 Lead Ceramic SOJ, No. 140
- 32 Lead Flatpack, No. 142

Single +5V ($\pm 10\%$) Supply Operation

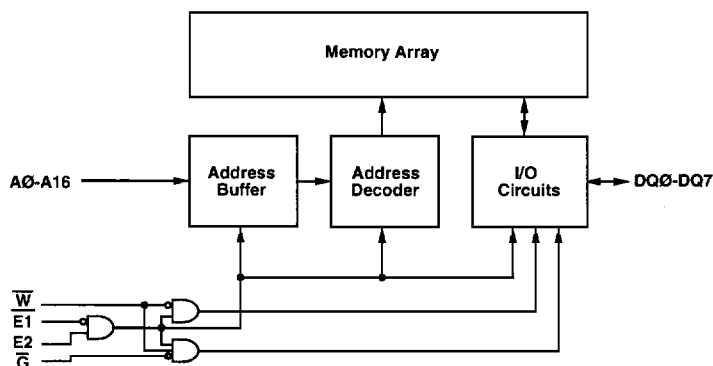
* Commercial Temp Range Only

Pin Configurations and Block Diagram



Pin Names

A0-A16	Address Inputs
$\bar{E}1$, E2	Chip Enables
\bar{W}	Write Enable
\bar{G}	Output Enable
DQ0-DQ7	Data Input/Output
VCC	Power (+5V $\pm 10\%$)
VSS	Ground
NC	No Connection



Ordering Information

Military*

Part No. Standard Power	Speed ns	Leads	Package Style	No.
EDI88130CS20CB	20	32	0.6 DIP	9
EDI88130CS25CB	25	32	0.6 DIP	9
EDI88130CS35CB	35	32	0.6 DIP	9
EDI88130CS45CB	45	32	0.6 DIP	9
EDI88130CS55CB	55	32	0.6 DIP	9
EDI88130CS20FB	20	32	Flatpack	142
EDI88130CS25FB	25	32	Flatpack	142
EDI88130CS35FB	35	32	Flatpack	142
EDI88130CS45FB	45	32	Flatpack	142
EDI88130CS55FB	55	32	Flatpack	142
EDI88130CS20LB	20	32	LCC	141
EDI88130CS25LB	25	32	LCC	141
EDI88130CS35LB	35	32	LCC	141
EDI88130CS45LB	45	32	LCC	141
EDI88130CS55LB	55	32	LCC	141
EDI88130CS20NB	20	32	CSOJ	140
EDI88130CS25NB	25	32	CSOJ	140
EDI88130CS35NB	35	32	CSOJ	140
EDI88130CS45NB	45	32	CSOJ	140
EDI88130CS55NB	55	32	CSOJ	140
EDI88130CS20TB	20	32	0.4 DIP	102
EDI88130CS25TB	25	32	0.4 DIP	102
EDI88130CS35TB	35	32	0.4 DIP	102
EDI88130CS45TB	45	32	0.4 DIP	102
EDI88130CS55TB	55	32	0.4 DIP	102

Commercial

Part No. Standard Power	Speed ns	Leads	Package Style	No.
EDI88130CS17CC	17	32	0.6 DIP	9
EDI88130CS17FC	17	32	Flatpack	142
EDI88130CS17LC	17	32	LCC	141
EDI88130CS17NC	17	32	CSOJ	140
EDI88130CS17TC	17	32	0.4 DIP	102

Part No. Low Power	Speed ns	Leads	Package Style	No.
EDI88130LPS20CB	20	32	0.6 DIP	9
EDI88130LPS25CB	25	32	0.6 DIP	9
EDI88130LPS35CB	35	32	0.6 DIP	9
EDI88130LPS45CB	45	32	0.6 DIP	9
EDI88130LPS55CB	55	32	0.6 DIP	9
EDI88130LPS20FB	20	32	Flatpack	142
EDI88130LPS25FB	25	32	Flatpack	142
EDI88130LPS35FB	35	32	Flatpack	142
EDI88130LPS45FB	45	32	Flatpack	142
EDI88130LPS55FB	55	32	Flatpack	142
EDI88130LPS20LB	20	32	LCC	141
EDI88130LPS25LB	25	32	LCC	141
EDI88130LPS35LB	35	32	LCC	141
EDI88130LPS45LB	45	32	LCC	141
EDI88130LPS55LB	55	32	LCC	141
EDI88130LPS20NB	20	32	CSOJ	140
EDI88130LPS25NB	25	32	CSOJ	140
EDI88130LPS35NB	35	32	CSOJ	140
EDI88130LPS45NB	45	32	CSOJ	140
EDI88130LPS55NB	55	32	CSOJ	140
EDI88130LPS20TB	20	32	0.4 DIP	102
EDI88130LPS25TB	25	32	0.4 DIP	102
EDI88130LPS35TB	35	32	0.4 DIP	102
EDI88130LPS45TB	45	32	0.4 DIP	102
EDI88130LPS55TB	55	32	0.4 DIP	102

* For Commercial or Industrial grade product use C or I, respectively, to replace B in the suffix of the part number, e.g. EDI88130CS25CB becomes EDI88130CS25CC (commercial temp range) or EDI88130CS25CI (industrial temp range).

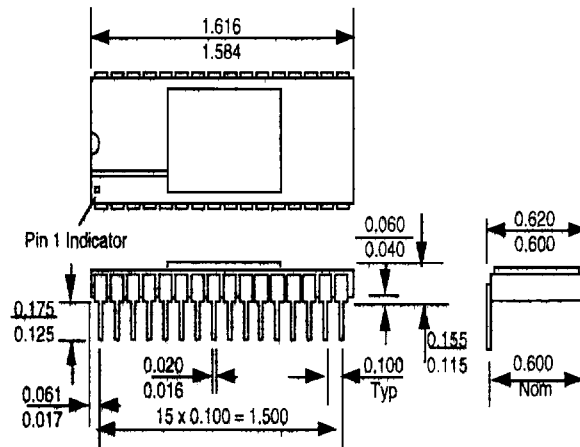
Package Descriptions

Package No. 9

32 Pin Sidebrazed Ceramic

Dual-in-line Package

600 mils wide

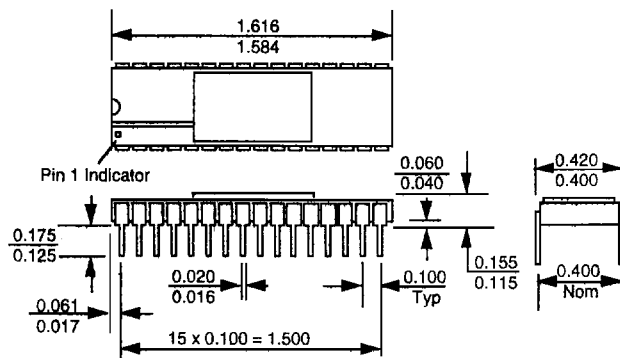


Package No. 102

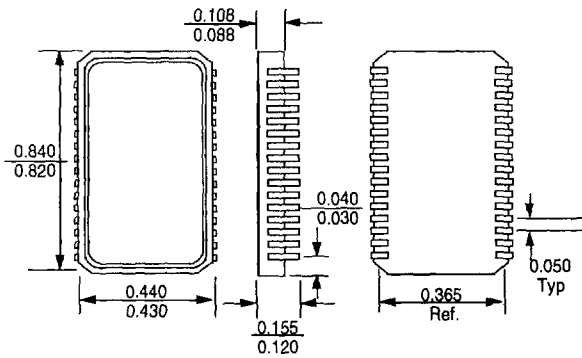
32 Pin Sidebrazed Ceramic

Dual-in-line Package

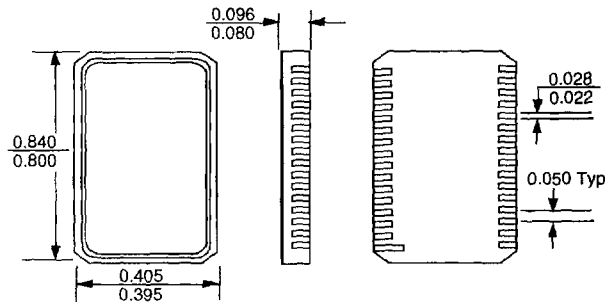
400 mils wide



Package No. 140
32 Pin Ceramic SOJ
J-Leaded Package



Package No. 141
32 Pin Ceramic LCC



Package No. 142
32 Pin Ceramic Flatpack

