

54F657,74F657

***54F657 74F657 Octal Bidirectional Transceiver with 8-Bit Parity
Generator/Checker and TRI-STATE(RM) Outputs***



Literature Number: SNOS212A

54F/74F657 Octal Bidirectional Transceiver with 8-Bit Parity Generator/Checker and TRI-STATE® Outputs

General Description

The 'F657 contains eight non-inverting buffers with TRI-STATE® outputs and an 8-bit parity generator/checker. It is intended for bus-oriented applications. The buffers have a guaranteed current sinking capability of 24 mA (20 mA mil) at the A port and 64 mA (48 mA mil) at the B port.

Features

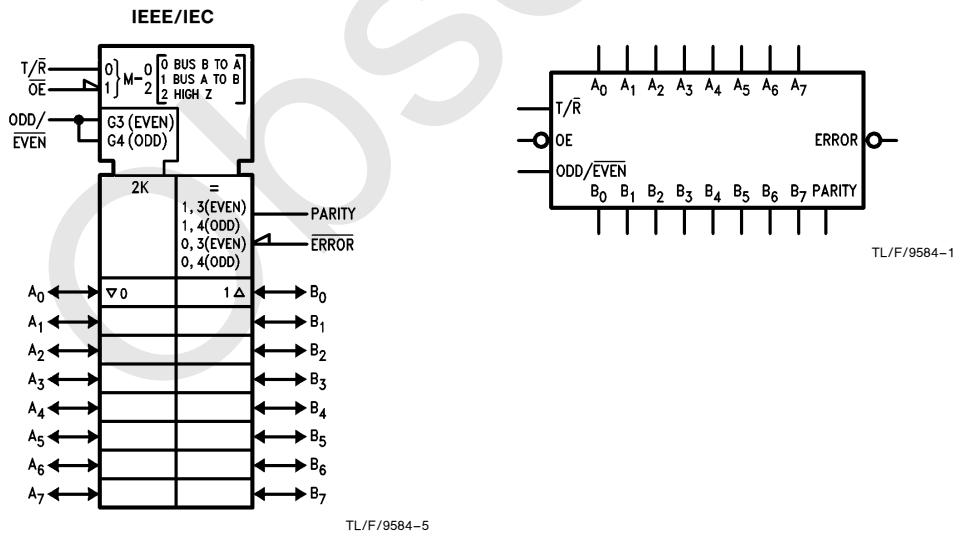
- 300 Mil 24-pin slimline DIP
- Combines 'F245 and 'F280A functions in one package
- TRI-STATE outputs
- B Outputs sink 64 mA (48 mA mil)
- 12 mA source current, B side
- Input diodes for termination effects

| Commercial | Military | Package Number | Package Description |
|-------------------|--------------------|----------------|---|
| 74F657SPC | | N24C | 24-Lead (0.300" Wide) Molded Dual-In-Line |
| | 54F657SDM (Note 2) | J24F | 24-Lead (0.300" Wide) Ceramic Dual-In-Line |
| 75F657SC (Note 1) | | M24B | 24-Lead (0.300" Wide) Molded Small Outline, JEDEC |
| | 54F657FM (Note 2) | W24C | 24-Lead Cerpack |
| | 54F657LM (Note 2) | E28A | 24-Lead Ceramic Leadless Chip Carrier, Type C |

Note 1: Devices also available in 13" reel. Use suffix = SCX.

Note 2: Military grade device with environmental and burn-in processing. Use suffix = DMQB, FMQB and LMQB.

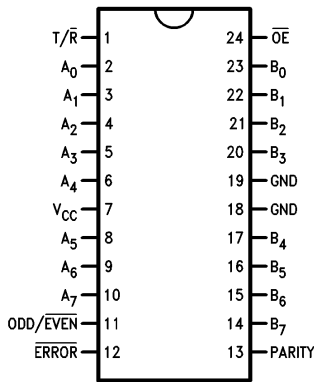
Logic Symbols



TRI-STATE® is a registered trademark of National Semiconductor Corporation.

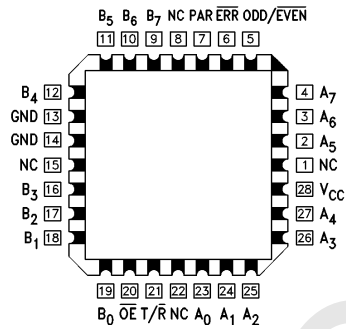
Connection Diagrams

Pin Assignment
for DIP, SOIC
and Flatpak



TL/F/9584-2

Pin Assignment
for LCC



TL/F/9584-3

Unit Loading/Fan Out

| Pin Names | Description | 54F/74F | |
|--------------------------------|-------------------------------------|-----------------------------|--|
| | | U.L. HIGH/LOW | Input I_{IH}/I_{IL} Output I_{OH}/I_{OL} |
| A ₀ –A ₇ | Data Inputs/ TRI-STATE Outputs | 4.5/0.15 150/40 (33.3) | 90 μ A/ – 90 μ A –3 mA/24 mA (20 mA) |
| B ₀ –B ₇ | Data Inputs/ TRI-STATE Outputs | 3.5/0.117 600/106.6 (80) | 70 μ A/ – 70 μ A –12 mA/64 mA (48 mA) |
| T/ \bar{R} | Transmit/Receive Input | 2.0/0.067 | 40 μ A/ – 40 μ A |
| \overline{OE} | Enable Input | 2.0/0.067 | 40 μ A/ – 40 μ A |
| PARITY | Parity Input/ TRI-STATE Output | 3.5/0.117 600/106.6 (80) | 70 μ A/ – 70 μ A –12 mA/64 mA (48 mA) |
| ODD/ \overline{EVEN} | ODD/ \overline{EVEN} Parity Input | 1.0/0.033 | 20 μ A/ – 20 μ A |
| \overline{ERROR} | Error Output | 600/106.6 (80) | –12 mA/64 mA (48 mA) |

Functional Description

The Transmit/Receive (T/\bar{R}) input determines the direction of the data flow through the bidirectional transceivers. Transmit (active HIGH) enables data from the A port to the B port; Receive (active LOW) enables data from the B port to the A port.

The Output Enable (\overline{OE}) input disables the parity and \overline{ERROR} outputs and both the A and B ports by placing them in a HIGH-Z condition when the Output Enable input is HIGH.

When transmitting (T/\bar{R} HIGH), the parity generator detects whether an even or odd number of bits on the A port are HIGH and compares these with the condition of the pari-

ty select (ODD/ \overline{EVEN}). If the Parity Select is HIGH and an even number of A inputs are HIGH, the Parity output is HIGH.

In receiving mode (T/\bar{R} LOW), the parity select and number of HIGH inputs on port B are compared to the condition of the Parity input. If an even number of bits on the B port are HIGH, the parity select is HIGH, and the PARITY input is HIGH, then \overline{ERROR} will be HIGH to indicate no error. If an odd number of bits on the B port are HIGH, the parity select is HIGH, and the PARITY input is HIGH, the \overline{ERROR} will be LOW indicating an error.

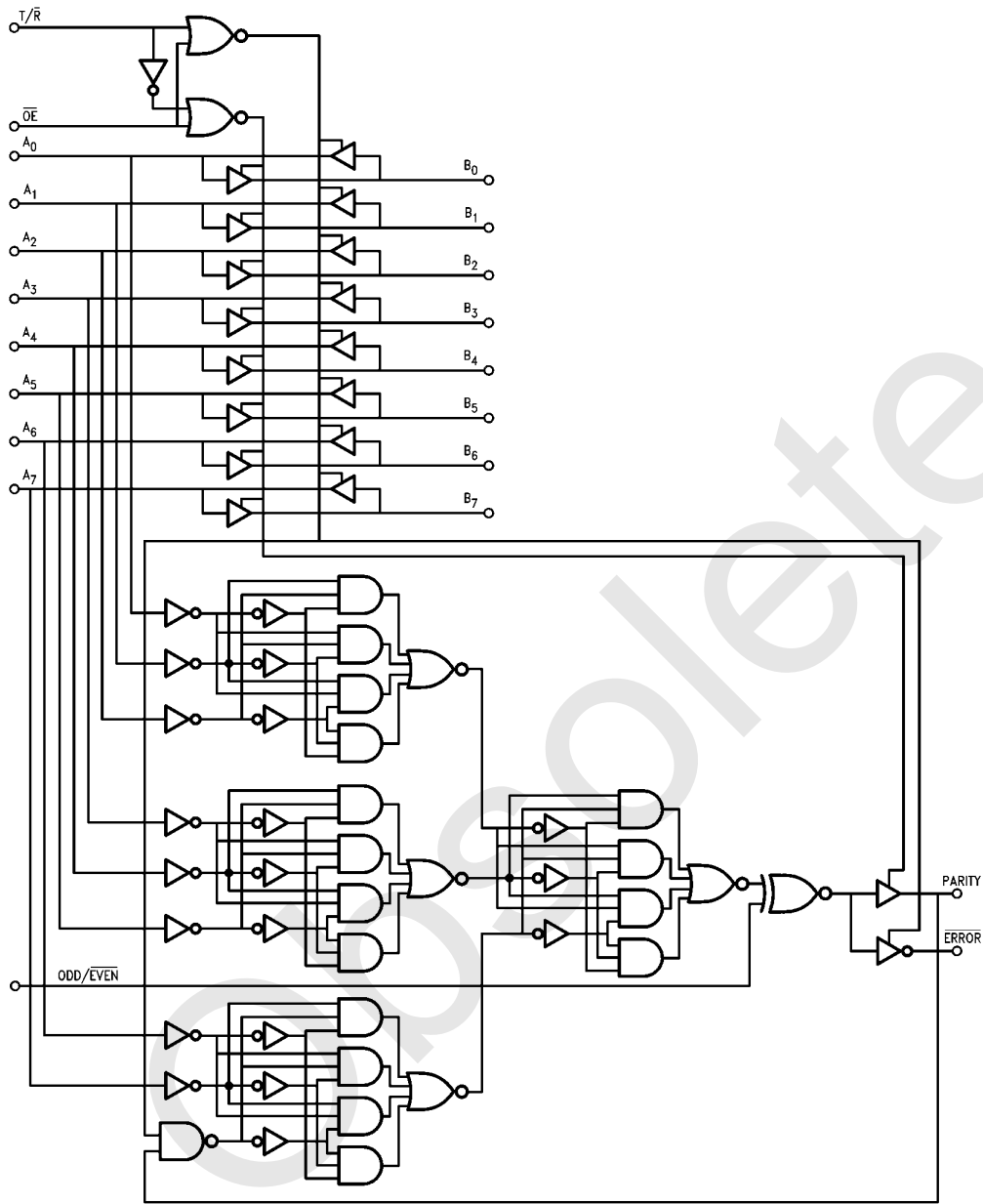
| Function Table | | | | | | |
|--------------------------------|--------|-----|----------|--------------|---------|--------------|
| Number of Inputs That Are High | Inputs | | | Input/Output | Outputs | |
| | OE | T/R | ODD/EVEN | Parity | ERROR | Outputs Mode |
| 0, 2, 4, 6, 8 | L | H | H | H | Z | Transmit |
| | L | H | L | L | Z | Transmit |
| | L | L | H | H | H | Receive |
| | L | L | H | L | L | Receive |
| | L | L | L | H | L | Receive |
| 1, 3, 5, 7 | L | H | H | L | Z | Transmit |
| | L | H | L | H | Z | Transmit |
| | L | L | H | H | L | Receive |
| | L | L | H | L | H | Receive |
| | L | L | L | H | H | Receive |
| Immaterial | H | X | X | Z | Z | Z |

H = HIGH Voltage Level
L = LOW Voltage Level
X = Immaterial
Z = High Impedance

| Function Table | | |
|----------------|-----|---------------------|
| Inputs | | Outputs |
| OE | T/R | |
| L | L | Bus B Data to Bus A |
| L | H | Bus A Data to Bus B |
| H | X | High-Z State |

H = HIGH Voltage Level
L = LOW Voltage Level
X = Immaterial

Functional Block Diagram



2 GROUND PINS
1 V_{CC} PIN

TL/F/9584-4

Absolute Maximum Ratings (Note 1)

If Military/Aerospace specified devices are required, please contact the National Semiconductor Sales Office/Distributors for availability and specifications.

| | |
|---|--------------------------|
| Storage Temperature | -65°C to +150°C |
| Ambient Temperature under Bias | -55°C to +125°C |
| Junction Temperature under Bias | -55°C to +175°C |
| Plastic | -55°C to +150°C |
| V _{CC} Pin Potential to Ground Pin | -0.5V to +7.0V |
| Input Voltage (Note 2) | -0.5V to +7.0V |
| Input Current (Note 2) | -30 mA to +5.0 mA |
| Voltage Applied to Output in HIGH State (with V _{CC} = 0V) | |
| Standard Output | -0.5V to V _{CC} |
| TRI-STATE Output | -0.5V to +5.5V |

Current Applied to Output in LOW State (Max)

twice the rated I_{OL} (mA)

Note 1: Absolute maximum ratings are values beyond which the device may be damaged or have its useful life impaired. Functional operation under these conditions is not implied.

Note 2: Either voltage limit or current limit is sufficient to protect inputs.

Recommended Operating Conditions

Free Air Ambient Temperature

| | |
|------------|-----------------|
| Military | -55°C to +125°C |
| Commercial | 0°C to +70°C |

Supply Voltage

| | |
|------------|----------------|
| Military | +4.5V to +5.5V |
| Commercial | +4.5V to +5.5V |

DC Electrical Characteristics

| Symbol | Parameter | 54F/74F | | | Units | V _{CC} | Conditions |
|------------------------------------|---|-------------------------|--------------|-----|----------------|---------------------|--|
| | | Min | Typ | Max | | | |
| V _{IH} | Input HIGH Voltage | 2.0 | | | V | | Recognized as a HIGH Signal |
| V _{IL} | Input LOW Voltage | 0.8 | | | V | | Recognized as a LOW Signal |
| V _{CD} | Input Clamp Diode Voltage | -1.2 | | | V | Min | I _{IN} = -18 mA |
| V _{OH} | Output HIGH Voltage | 54F 10% V _{CC} | 2.5 | | V | Min | I _{OH} = -1 mA (A _n) I _{OH} = -3 mA (A _n , B _n , Parity, ERROR) I _{OH} = -12 mA (B _n , Parity, ERROR) I _{OH} = -1 mA (A _n) I _{OH} = -3 mA (A _n , B _n , Parity, ERROR) I _{OH} = -15 mA (B _n , Parity, ERROR) I _{OH} = -1 mA (A _n) I _{OH} = -3 mA (A _n , B _n , Parity, ERROR) |
| | | 54F 10% V _{CC} | 2.4 | | | | |
| | | 54F 10% V _{CC} | 2.0 | | | | |
| | | 74F 10% V _{CC} | 2.5 | | | | |
| | | 74F 10% V _{CC} | 2.4 | | | | |
| | | 74F 10% V _{CC} | 2.0 | | | | |
| | | 74F 5% V _{CC} | 2.7 | | | | |
| | | 74F 5% V _{CC} | 2.7 | | | | |
| V _{OL} | Output LOW Voltage | 54F 10% V _{CC} | 0.5 | | V | Min | I _{OL} = 20 mA (A _n) I _{OL} = 48 mA (B _n , Parity, ERROR) I _{OL} = 24 mA (A _n) I _{OL} = 64 mA (B _n , Parity, ERROR) |
| | | 54F 10% V _{CC} | 0.55 | | | | |
| | | 74F 10% V _{CC} | 0.5 | | | | |
| | | 74F 10% V _{CC} | 0.55 | | | | |
| I _{IH} | Input HIGH Current | 20 40 | | | μA | Max | V _{IN} = 2.7V (ODD/EVEN) V _{IN} = 2.7V (T/R, OE) |
| I _{BVI} | Input HIGH Current Breakdown Test | 100 | | | μA | V _{CC} = 0 | V _{IN} = 7.0V (T/R, OE, ODD/EVEN) |
| I _{BVIT} | Input HIGH Current Breakdown Test (I/O) | 1.0 2.0 | | | mA | Max | V _{IN} = 5.5V (Parity, B _n) V _{IN} = 5.5V (A _n) |
| I _{IL} | Input LOW Current | -20 -40 | | | μA | Max | V _{IN} = 0.5V (ODD/EVEN) V _{IN} = 0.5V (T/R, OE) |
| I _{OZH} | Output Leakage Current | 50 | | | μA | Max | V _{OUT} = 2.7V (ERROR) |
| I _{OZL} | Output Leakage Current | -50 | | | μA | Max | V _{OUT} = 0.5V (ERROR) |
| I _{IH} + I _{OZH} | Output Leakage Current | 70 90 | | | μA | Max | V _{I/O} = 2.7V (B _n , Parity) V _{I/O} = 2.7V (A _n) |
| I _{IL} + I _{OZL} | Output Leakage Current | -70 -90 | | | μA | Max | V _{I/O} = 0.5V (B _n , Parity) V _{I/O} = 0.5V (A _n) |
| I _{OS} | Output Short-Circuit Current | -60 -100 | -150 -225 | | mA | Max | V _{OUT} = 0V (A _n) V _{OUT} = 0V (B _n , Parity, ERROR) |
| I _{CEX} | Output HIGH Leakage Current | 250 1.0 2.0 | | | μA mA mA | Max Max Max | V _{OUT} = V _{CC} (ERROR) V _{OUT} = V _{CC} (B _n , Parity) V _{OUT} = V _{CC} (A _n) |
| I _{ZZ} | Bus Drainage Test | 500 | | | μA | 0.0V | V _{OUT} = 5.25V (A _n , B _n , Parity, ERROR) |
| I _{CCH} | Power Supply Current | 101 | 125 | | mA | Max | V _O = HIGH |
| I _{CCL} | Power Supply Current | 112 | 150 | | mA | Max | V _O = LOW |
| I _{CCZ} | Power Supply Current | 109 | 145 | | mA | Max | V _O = HIGH Z |

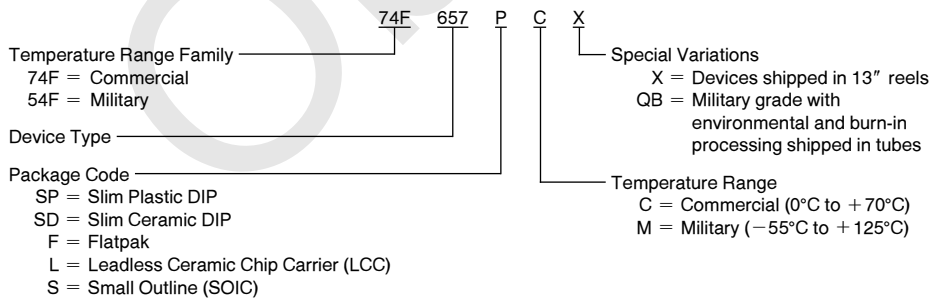
AC Electrical Characteristics

| Symbol | Parameter | 74F | | | 54F | | 74F | | Units |
|--------------------------------------|--|---|--------------|--------------|--|--------------|--|--------------|-------|
| | | T _A = +25°C V _{CC} = +5.0V C _L = 50 pF | | | T _A , V _{CC} = Mil C _L = 50 pF | | T _A , V _{CC} = Com C _L = 50 pF | | |
| | | Min | Typ | Max | Min | Max | Min | Max | |
| t _{PLH} t _{PHL} | Propagation Delay A _n to B _n , B _n to A _n | 2.5 3.0 | 4.5 4..9 | 8.0 7.5 | 2.5 3.0 | 9.5 8.5 | 2.5 3.0 | 9.0 8.0 | ns |
| t _{PLH} t _{PHL} | Propagation Delay A _n to Parity | 6.5 7.0 | 10.1 10.9 | 14.0 15.0 | 5.5 5.5 | 18.0 20.5 | 6.0 6.0 | 16.0 16.5 | ns |
| t _{PLH} t _{PHL} | Propagation Delay ODD/EVEN to PARITY | 4.5 4.5 | 7.8 8.8 | 11.0 12.0 | 4.0 4.5 | 14.0 16.5 | 4.0 4.5 | 13.0 13.5 | ns |
| t _{PLH} t _{PHL} | Propagation Delay ODD/EVEN to ERROR | 4.5 4.5 | 7.5 8.2 | 11.0 12.0 | 4.0 4.5 | 14.0 16.5 | 4.0 4.5 | 13.0 13.5 | ns |
| t _{PLH} t _{PHL} | Propagation Delay B _n to ERROR | 8.0 8.0 | 14.0 15.0 | 20.5 21.5 | 7.5 7.5 | 27.0 28.5 | 7.5 7.5 | 23.0 23.5 | ns |
| t _{PLH} t _{PHL} | Propagation Delay PARITY to ERROR | 7.0 7.5 | 10.8 11.8 | 15.5 16.5 | 6.0 6.5 | 20.0 22.0 | 6.0 7.5 | 17.0 18.5 | ns |
| t _{PZH} t _{PZL} | Output Enable Time OE to A _n /B _n | 3.0 4.0 | 5.0 6.5 | 8.0 10.0 | 2.5 3.5 | 11.0 13.5 | 2.5 3.5 | 9.5 11.0 | ns |
| t _{PHZ} t _{PLZ} | Output Disable Time OE to A _n /B _n | 1.0 1.0 | 4.5 4.9 | 8.0 7.5 | 1.0 1.0 | 9.5 8.5 | 1.0 1.0 | 9.0 8.0 | ns |
| t _{PZH} t _{PZL} | Output Enable Time OE to ERROR (Note 1) | 3.0 4.0 | 5.0 7.7 | 8.0 10.0 | 2.5 3.5 | 11.0 13.5 | 2.5 3.5 | 9.5 11.0 | ns |
| t _{PHZ} t _{PLZ} | Output Disable Time OE to ERROR | 1.0 1.0 | 4.5 4.9 | 8.0 7.5 | 1.0 1.0 | 9.5 8.5 | 1.0 1.0 | 9.0 8.0 | ns |
| t _{PZH} t _{PZL} | Output Enable Time OE to PARITY | 3.0 4.0 | 5.0 7.7 | 8.0 10.0 | 2.5 3.5 | 11.0 13.5 | 2.5 3.5 | 9.5 11.0 | ns |
| t _{PHZ} t _{PLZ} | Output Disable Time OE to PARITY | 1.0 1.0 | 4.6 5.1 | 8.0 7.5 | 1.0 1.0 | 9.5 8.5 | 1.0 1.0 | 9.0 8.0 | ns |

Note 1: These delay times reflect the TRI-STATE recovery time only and not the signal time through the buffers or the parity check circuitry. To assure VALID information at the ERROR pin, time must be allowed for the signal to propagate through the drivers (B to A), through the parity check circuitry (same as A to PARITY), and to the ERROR output after the ERROR pin has been enabled (Output Enable times). VALID data at the ERROR pin ≥ (A to PARITY) + (Output Enable Time).

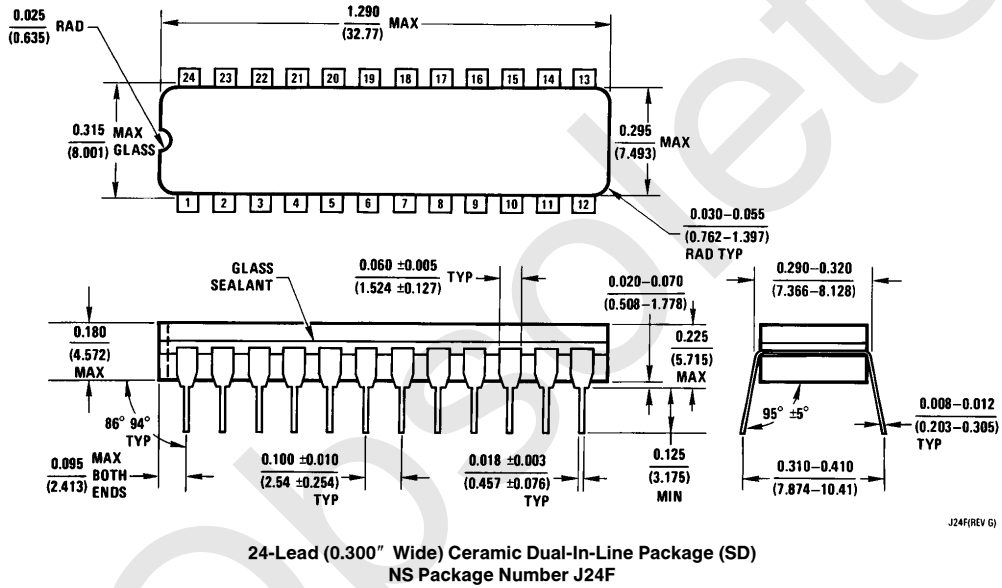
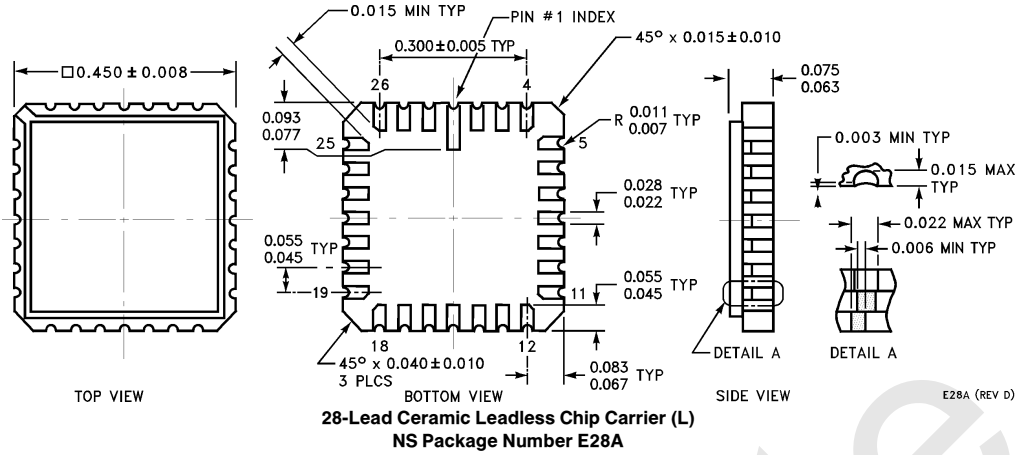
Ordering Information

The device number is used to form part of a simplified purchasing code where a package type and temperature range are defined as follows:

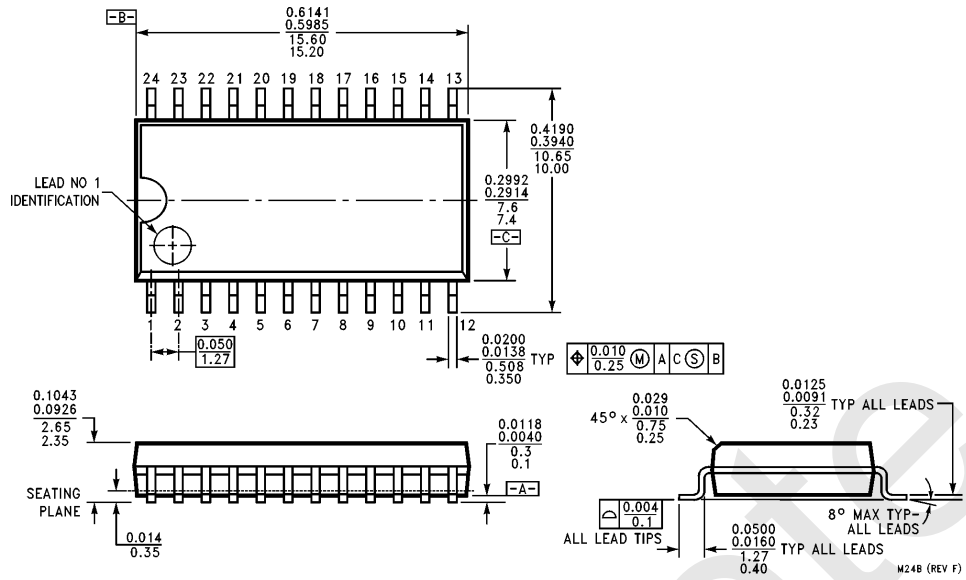


Obsolete

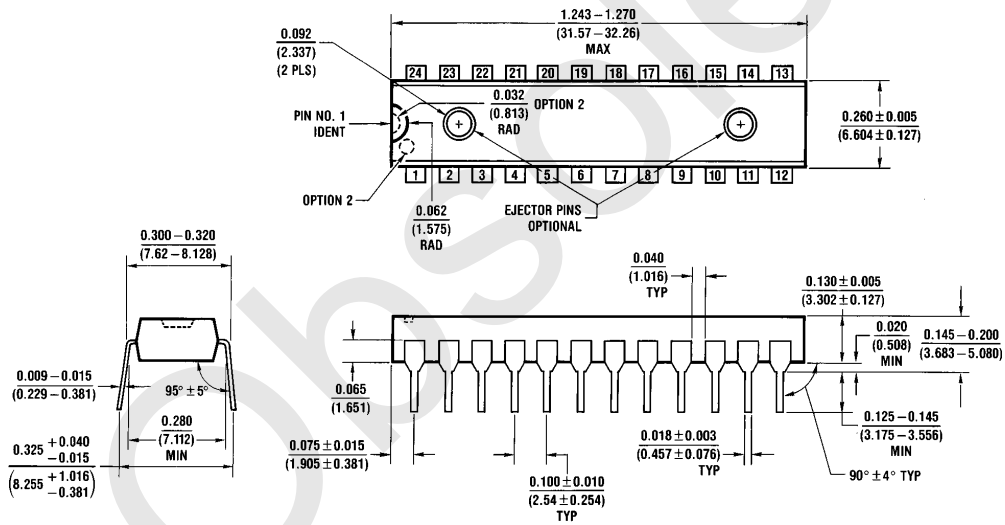
Physical Dimensions inches (millimeters)



Physical Dimensions inches (millimeters) (Continued)



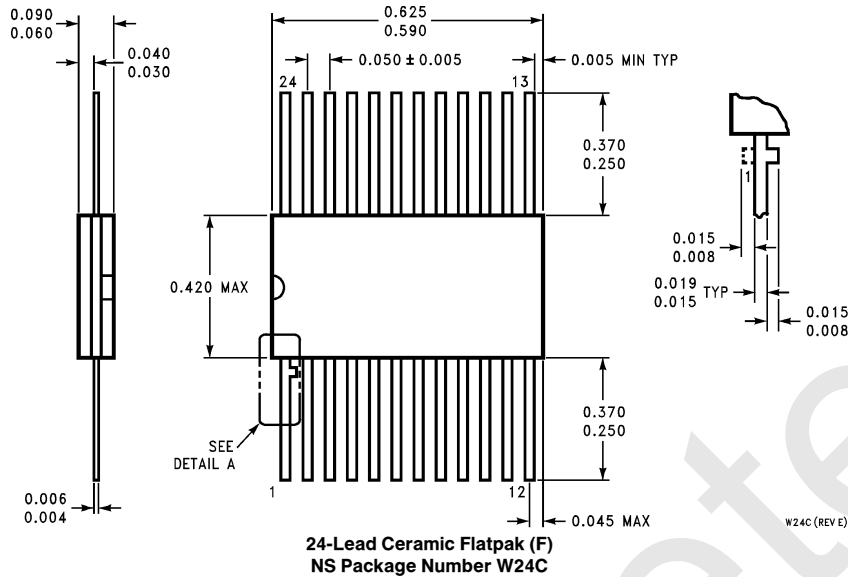
**24-Lead (0.300" Wide) Molded Small Outline Package, JEDEC (S)
NS Package Number M24B**



**24-Lead (0.300" Wide) Molded Dual-In-Line Package (SP)
NS Package Number N24C**

54F/74F657 Octal Bidirectional Transceiver
with 8-Bit Parity Generator/Checker and TRI-STATE Outputs

Physical Dimensions inches (millimeters) (Continued)



LIFE SUPPORT POLICY

NATIONAL'S PRODUCTS ARE NOT AUTHORIZED FOR USE AS CRITICAL COMPONENTS IN LIFE SUPPORT DEVICES OR SYSTEMS WITHOUT THE EXPRESS WRITTEN APPROVAL OF THE PRESIDENT OF NATIONAL SEMICONDUCTOR CORPORATION. As used herein:

1. Life support devices or systems are devices or systems which, (a) are intended for surgical implant into the body, or (b) support or sustain life, and whose failure to perform, when properly used in accordance with instructions for use provided in the labeling, can be reasonably expected to result in a significant injury to the user.
2. A critical component is any component of a life support device or system whose failure to perform can be reasonably expected to cause the failure of the life support device or system, or to affect its safety or effectiveness.



National Semiconductor Corporation
2900 Semiconductor Drive
P.O. Box 58090
Santa Clara, CA 95052-8090
Tel: (800) 272-9959
TWX: (910) 339-9240

National Semiconductor GmbH
Livny-Gargan-Str. 10
D-82256 Fürstenfeldbruck
Germany
Tel: (81-41) 35-0
Telex: 527849
Fax: (81-41) 35-1

National Semiconductor Japan Ltd.
Sumitomo Chemical
Engineering Center
Bldg. 7F
1-7-1, Nakase, Mihama-Ku
Chiba-City,
Chiba Prefecture 261
Tel: (043) 299-2300
Fax: (043) 299-2500

National Semiconductor Hong Kong Ltd.
13th Floor, Straight Block,
Ocean Centre, 5 Canton Rd.
Tsimshatsui, Kowloon
Hong Kong
Tel: (852) 2737-1600
Fax: (852) 2736-9960

National Semicondutores Do Brazil Ltda.
Rue Deputado Lacorda Franco
120-3A
Sao Paulo-SP
Brazil 05418-000
Tel: (55-11) 212-5066
Telex: 391-1131931 NSBR BR
Fax: (55-11) 212-1181

National Semiconductor (Australia) Pty. Ltd.
Building 16
Business Park Drive
Monash Business Park
Nottingham, Melbourne
Victoria 3168 Australia
Tel: (3) 558-9999
Fax: (3) 558-9998

National does not assume any responsibility for use of any circuitry described, no circuit patent licenses are implied and National reserves the right at any time without notice to change said circuitry and specifications.

IMPORTANT NOTICE

Texas Instruments Incorporated and its subsidiaries (TI) reserve the right to make corrections, modifications, enhancements, improvements, and other changes to its products and services at any time and to discontinue any product or service without notice. Customers should obtain the latest relevant information before placing orders and should verify that such information is current and complete. All products are sold subject to TI's terms and conditions of sale supplied at the time of order acknowledgment.

TI warrants performance of its hardware products to the specifications applicable at the time of sale in accordance with TI's standard warranty. Testing and other quality control techniques are used to the extent TI deems necessary to support this warranty. Except where mandated by government requirements, testing of all parameters of each product is not necessarily performed.

TI assumes no liability for applications assistance or customer product design. Customers are responsible for their products and applications using TI components. To minimize the risks associated with customer products and applications, customers should provide adequate design and operating safeguards.

TI does not warrant or represent that any license, either express or implied, is granted under any TI patent right, copyright, mask work right, or other TI intellectual property right relating to any combination, machine, or process in which TI products or services are used. Information published by TI regarding third-party products or services does not constitute a license from TI to use such products or services or a warranty or endorsement thereof. Use of such information may require a license from a third party under the patents or other intellectual property of the third party, or a license from TI under the patents or other intellectual property of TI.

Reproduction of TI information in TI data books or data sheets is permissible only if reproduction is without alteration and is accompanied by all associated warranties, conditions, limitations, and notices. Reproduction of this information with alteration is an unfair and deceptive business practice. TI is not responsible or liable for such altered documentation. Information of third parties may be subject to additional restrictions.

Resale of TI products or services with statements different from or beyond the parameters stated by TI for that product or service voids all express and any implied warranties for the associated TI product or service and is an unfair and deceptive business practice. TI is not responsible or liable for any such statements.

TI products are not authorized for use in safety-critical applications (such as life support) where a failure of the TI product would reasonably be expected to cause severe personal injury or death, unless officers of the parties have executed an agreement specifically governing such use. Buyers represent that they have all necessary expertise in the safety and regulatory ramifications of their applications, and acknowledge and agree that they are solely responsible for all legal, regulatory and safety-related requirements concerning their products and any use of TI products in such safety-critical applications, notwithstanding any applications-related information or support that may be provided by TI. Further, Buyers must fully indemnify TI and its representatives against any damages arising out of the use of TI products in such safety-critical applications.

TI products are neither designed nor intended for use in military/aerospace applications or environments unless the TI products are specifically designated by TI as military-grade or "enhanced plastic." Only products designated by TI as military-grade meet military specifications. Buyers acknowledge and agree that any such use of TI products which TI has not designated as military-grade is solely at the Buyer's risk, and that they are solely responsible for compliance with all legal and regulatory requirements in connection with such use.

TI products are neither designed nor intended for use in automotive applications or environments unless the specific TI products are designated by TI as compliant with ISO/TS 16949 requirements. Buyers acknowledge and agree that, if they use any non-designated products in automotive applications, TI will not be responsible for any failure to meet such requirements.

Following are URLs where you can obtain information on other Texas Instruments products and application solutions:

Products

| | |
|------------------------|--|
| Audio | www.ti.com/audio |
| Amplifiers | amplifier.ti.com |
| Data Converters | dataconverter.ti.com |
| DLP® Products | www.dlp.com |
| DSP | dsp.ti.com |
| Clocks and Timers | www.ti.com/clocks |
| Interface | interface.ti.com |
| Logic | logic.ti.com |
| Power Mgmt | power.ti.com |
| Microcontrollers | microcontroller.ti.com |
| RFID | www.ti-rfid.com |
| OMAP Mobile Processors | www.ti.com/omap |
| Wireless Connectivity | www.ti.com/wirelessconnectivity |

Applications

| | |
|-------------------------------|--|
| Communications and Telecom | www.ti.com/communications |
| Computers and Peripherals | www.ti.com/computers |
| Consumer Electronics | www.ti.com/consumer-apps |
| Energy and Lighting | www.ti.com/energy |
| Industrial | www.ti.com/industrial |
| Medical | www.ti.com/medical |
| Security | www.ti.com/security |
| Space, Avionics and Defense | www.ti.com/space-avionics-defense |
| Transportation and Automotive | www.ti.com/automotive |
| Video and Imaging | www.ti.com/video |

TI E2E Community Home Page

e2e.ti.com

Mailing Address: Texas Instruments, Post Office Box 655303, Dallas, Texas 75265
Copyright © 2011, Texas Instruments Incorporated