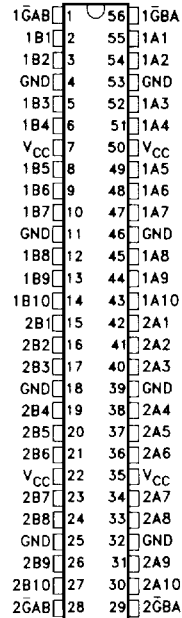


54AC16862, 54ACT16862
74AC16862, 74ACT16862
20-BIT BUS TRANSCEIVERS WITH 3-STATE OUTPUTS

TI0235—D3557, JUNE 1990

- **Members of Texas Instruments Widebus™ Family**
- **Packaged in Shrink Small-Outline 300-mil Packages (SSOP) and 380-mil Fine-Pitch Ceramic Flat Packages Using 25-mil Center-to-Center Pin Spacings**
- **Inputs are TTL- or CMOS-Voltage Compatible**
- **3-State Outputs Drive Bus Lines Directly**
- **Flow-Through Architecture Optimizes PCB Layout**
- **Distributed V_{CC} and GND Pin Configuration Minimizes High-Speed Switching Noise**
- **EPIC™ (Enhanced-Performance Implanted CMOS) 1-μm Process**
- **500-mA Typical Latch-Up Immunity at 125°C**

54AC16862, 54ACT16862 ... **WD PACKAGE**
 74AC16862, 74ACT16862 ... **DL PACKAGE**
 (TOP VIEW)



description

The 'AC16862 and 'ACT16862 are inverting 20-bit bus transceivers composed of two 10-bit transceiver sections with separate control signals. These devices allow data transmission from the A bus to the B bus or from the B bus to the A bus, depending upon the levels present at the output-enable inputs (1GAB, 2GAB, 1GBA, and 2GBA). The control logic also allows for isolation and latching.

The 74AC16862 and 74ACT16862 are packaged in TI's shrink small-outline package (SSOP) with 25-mil center-to-center pin spacings. This package provides twice the I/O pin count and functionality of a standard small-outline package in the same printed-circuit-board area.

The 'AC16862 has CMOS-compatible input thresholds. The 'ACT16862 has TTL-compatible input thresholds.

The 54AC16862 and 54ACT16862 are characterized over the full military temperature range of -55°C to 125°C. The 74AC16862 and 74ACT16862 are characterized for operation from -40°C to 85°C.

FUNCTION TABLE, EACH SECTION

INPUTS		OPERATION
GAB	GBA	
L	H	A to B
H	L	B to A
H	H	Isolation
L	L	Latch A and B (A = B)

EPIC and Widebus are trademarks of Texas Instruments Incorporated.

PRODUCT PREVIEW documents contain information on products in the formative or design phase of development. Characteristic data and other specifications are design goals. Texas Instruments reserves the right to change or discontinue these products without notice.



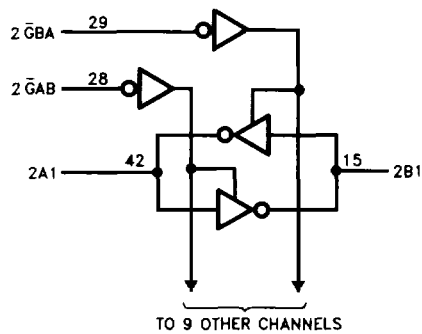
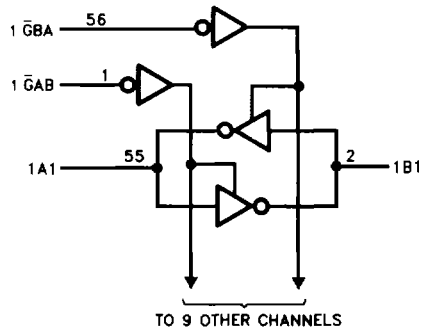
POST OFFICE BOX 655303 • DALLAS, TEXAS 75285

Copyright © 1990, Texas Instruments Incorporated

PRODUCT PREVIEW

54AC16862, 54ACT16862
74AC16862, 74ACT16862
20-BIT BUS TRANSCEIVERS WITH 3-STATE OUTPUTS
D3557, JUNE 1990—T10235

logic diagram (positive logic)



PRODUCT PREVIEW