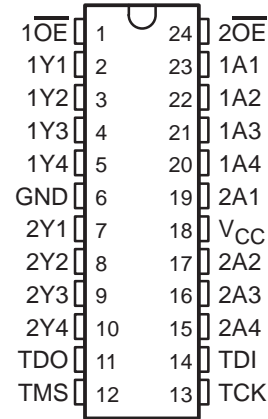


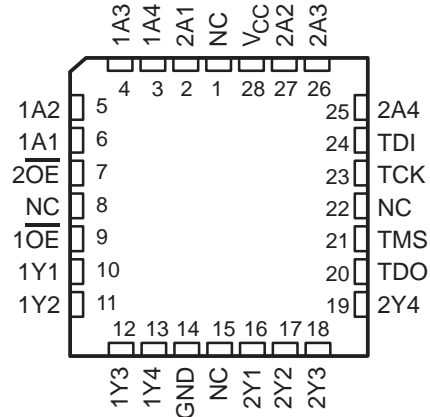
**SN54BCT8240A, SN74BCT8240A**  
**SCAN TEST DEVICES**  
**WITH OCTAL INVERTING BUFFERS**  
 SCBS067E – FEBRUARY 1990 – REVISED DECEMBER 1996

- **Members of the Texas Instruments SCOPE™ Family of Testability Products**
- **Octal Test-Integrated Circuits**
- **Functionally Equivalent to 'F240 and 'BCT240 in the Normal-Function Mode**
- **Compatible With the IEEE Standard 1149.1-1990 (JTAG) Test Access Port and Boundary-Scan Architecture**
- **Test Operation Synchronous to Test Access Port (TAP)**
- **Implement Optional Test Reset Signal by Recognizing a Double-High-Level Voltage (10 V) on TMS Pin**
- **SCOPE™ Instruction Set**
  - IEEE Standard 1149.1-1990 Required Instructions, Optional INTEST, CLAMP, and HIGHZ
  - Parallel-Signature Analysis at Inputs
  - Pseudo-Random Pattern Generation From Outputs
  - Sample Inputs/Toggle Outputs
- **Package Options Include Plastic Small-Outline (DW) Packages, Ceramic Chip Carriers (FK), and Standard Plastic and Ceramic 300-mil DIPs (JT, NT)**

**SN54BCT8240A . . . JT PACKAGE**  
**SN74BCT8240A . . . DW OR NT PACKAGE**  
**(TOP VIEW)**



**SN54BCT8240A . . . FK PACKAGE**  
**(TOP VIEW)**



NC – No internal connection

**description**

The 'BCT8240A scan test devices with octal buffers are members of the Texas Instruments SCOPE™ testability integrated-circuit family. This family of devices supports IEEE Standard 1149.1-1990 boundary scan to facilitate testing of complex circuit-board assemblies. Scan access to the test circuitry is accomplished via the 4-wire test access port (TAP) interface.

In the normal mode, these devices are functionally equivalent to the 'F240 and 'BCT240 octal buffers. The test circuitry can be activated by the TAP to take snapshot samples of the data appearing at the device terminals or to perform a self test on the boundary-test cells. Activating the TAP in normal mode does not affect the functional operation of the SCOPE™ octal buffers.

In the test mode, the normal operation of the SCOPE™ octal buffers is inhibited and the test circuitry is enabled to observe and control the I/O boundary of the device. When enabled, the test circuitry can perform boundary-scan test operations, as described in IEEE Standard 1149.1-1990.



Please be aware that an important notice concerning availability, standard warranty, and use in critical applications of Texas Instruments semiconductor products and disclaimers thereto appears at the end of this data sheet.

SCOPE is a trademark of Texas Instruments Incorporated.

PRODUCTION DATA information is current as of publication date. Products conform to specifications per the terms of Texas Instruments standard warranty. Production processing does not necessarily include testing of all parameters.



POST OFFICE BOX 655303 • DALLAS, TEXAS 75265

Copyright © 1996, Texas Instruments Incorporated  
 On products compliant to MIL-PRF-38535, all parameters are tested unless otherwise noted. On all other products, production processing does not necessarily include testing of all parameters.

**SN54BCT8240A, SN74BCT8240A**  
**SCAN TEST DEVICES**  
**WITH OCTAL INVERTING BUFFERS**

SCBS067E – FEBRUARY 1990 – REVISED DECEMBER 1996

**description (continued)**

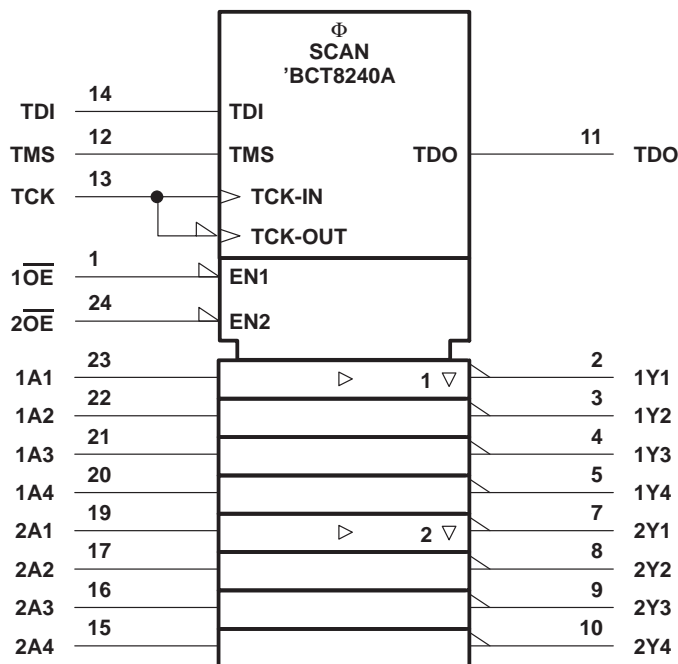
Four dedicated test terminals control the operation of the test circuitry: test data input (TDI), test data output (TDO), test mode select (TMS), and test clock (TCK). Additionally, the test circuitry performs other testing functions such as parallel-signature analysis (PSA) on data inputs and pseudo-random pattern generation (PRPG) from data outputs. All testing and scan operations are synchronized to the TAP interface.

The SN54BCT8240A is characterized for operation over the full military temperature range of  $-55^{\circ}\text{C}$  to  $125^{\circ}\text{C}$ . The SN74BCT8240A is characterized for operation from  $0^{\circ}\text{C}$  to  $70^{\circ}\text{C}$ .

**FUNCTION TABLE**  
(normal mode, each buffer)

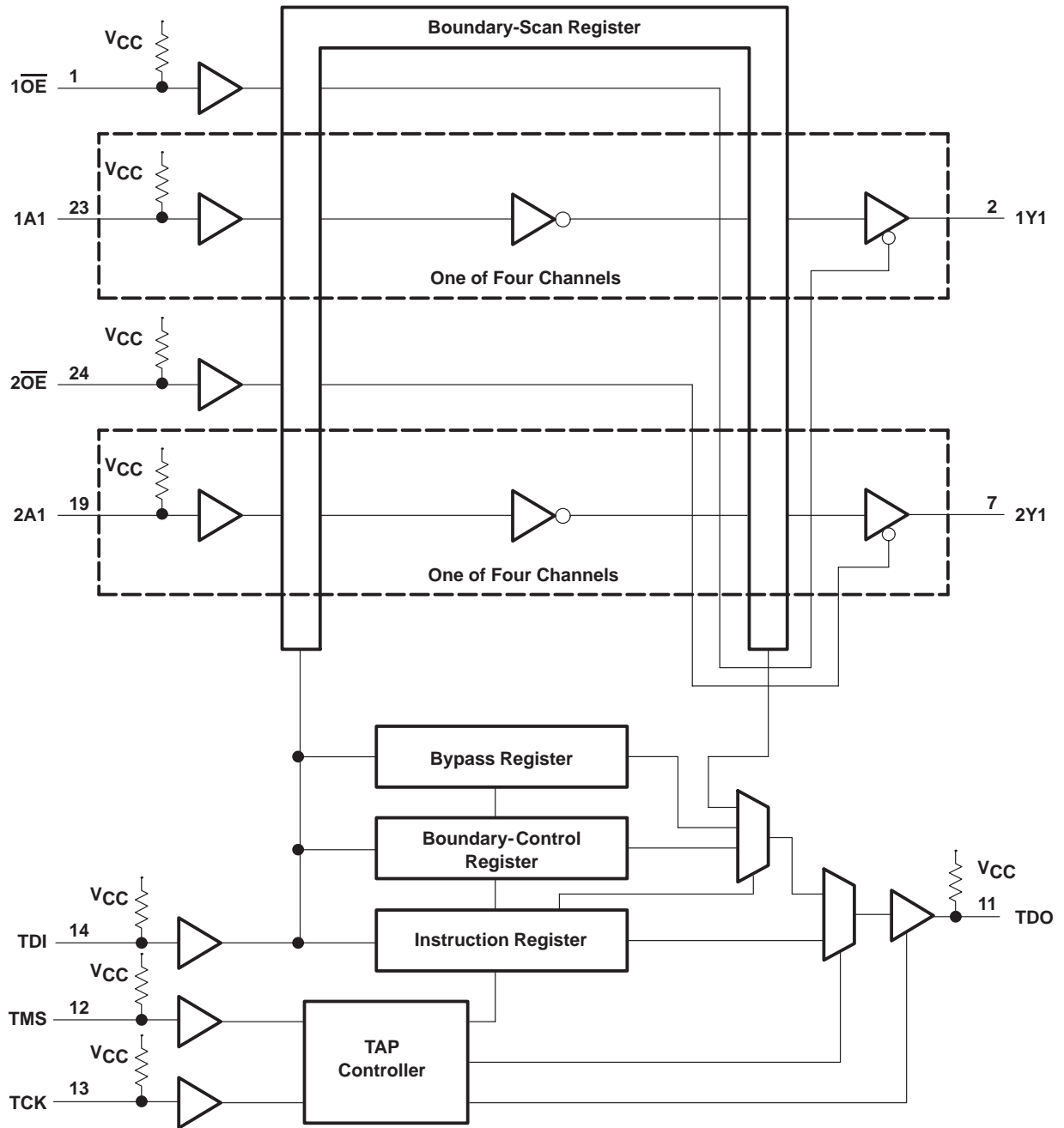
| INPUTS                 |   | OUTPUT |
|------------------------|---|--------|
| $\overline{\text{OE}}$ | A | Y      |
| H                      | X | Z      |
| L                      | L | H      |
| L                      | H | L      |

**logic symbol†**



† This symbol is in accordance with ANSI/IEEE Std 91-1984 and IEC Publication 617-12. Pin numbers shown are for the DW, JT, and NT packages.

functional block diagram



Pin numbers shown are for the DW, JT, and NT packages.

**SN54BCT8240A, SN74BCT8240A**  
**SCAN TEST DEVICES**  
**WITH OCTAL INVERTING BUFFERS**  
 SCBS067E – FEBRUARY 1990 – REVISED DECEMBER 1996

**Terminal Functions**

| TERMINAL NAME                       | DESCRIPTION  |
|-------------------------------------|--|
| 1A1–1A4,<br>2A1–2A4                 | Normal-function data inputs. See function table for normal-mode logic. Internal pullups force these inputs to a high level if left unconnected.  |
| GND                                 | Ground   |
| $1\overline{OE}$ , $2\overline{OE}$ | Normal-function output-enable inputs. See function table for normal-mode logic. Internal pullups force these inputs to a high level if left unconnected.   |
| TCK                                 | Test clock. One of four terminals required by IEEE Standard 1149.1-1990. Test operations of the device are synchronous to TCK. Data is captured on the rising edge of TCK and outputs change on the falling edge of TCK. An internal pullup forces TCK to a high level if left unconnected.  |
| TDI                                 | Test data input. One of four terminals required by IEEE Standard 1149.1-1990. TDI is the serial input for shifting data through the instruction register or selected data register. An internal pullup forces TDI to a high level if left unconnected.   |
| TDO                                 | Test data output. One of four terminals required by IEEE Standard 1149.1-1990. TDO is the serial output for shifting data through the instruction register or selected data register. An internal pullup forces TDO to a high level when it is not active and is not driven from an external source.   |
| TMS                                 | Test mode select. One of four terminals required by IEEE Standard 1149.1-1990. TMS directs the device through its TAP-controller states. An internal pullup forces TMS to a high level if left unconnected. TMS also provides the optional test reset signal of IEEE Standard 1149.1-1990. This is implemented by recognizing a third logic level, double high ( $V_{IH}$ ), at TMS. |
| VCC                                 | Supply voltage   |
| 1Y1–1Y4,<br>2Y1–2Y4                 | Normal-function data outputs. See function table for normal-mode logic.  |

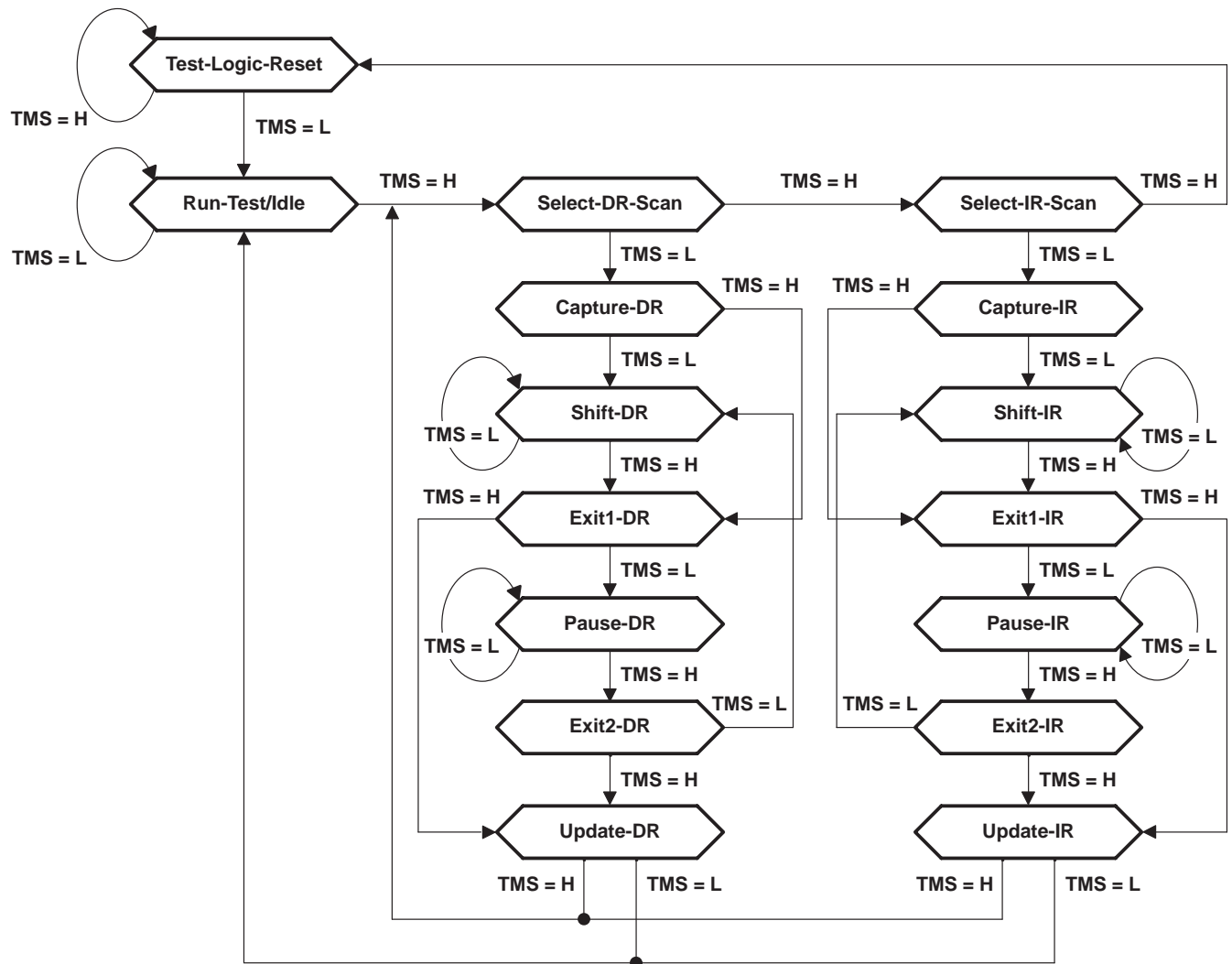


**test architecture**

Serial-test information is conveyed by means of a 4-wire test bus, or TAP, that conforms to IEEE Standard 1149.1-1990. Test instructions, test data, and test control signals all are passed along this serial-test bus. The TAP controller monitors two signals from the test bus, TCK and TMS. The TAP controller extracts the synchronization (TCK) and state control (TMS) signals from the test bus and generates the appropriate on-chip control signals for the test structures in the device. Figure 1 shows the TAP-controller state diagram.

The TAP controller is fully synchronous to the TCK signal. Input data is captured on the rising edge of TCK, and output data changes on the falling edge of TCK. This scheme ensures that data to be captured is valid for fully one-half of the TCK cycle.

The functional block diagram shows the IEEE Standard 1149.1-1990 4-wire test bus and boundary-scan architecture and the relationship among the test bus, the TAP controller, and the test registers. As shown, the device contains an 8-bit instruction register and three test-data registers: an 18-bit boundary-scan register, a 2-bit boundary-control register, and a 1-bit bypass register.



**Figure 1. TAP-Controller State Diagram**

## state diagram description

The TAP controller is a synchronous finite state machine that provides test control signals throughout the device. The state diagram shown in Figure 1 is in accordance with IEEE Standard 1149.1-1990. The TAP controller proceeds through its states based on the level of TMS at the rising edge of TCK.

As illustrated, the TAP controller consists of 16 states. There are six stable states (indicated by a looping arrow in the state diagram) and ten unstable states. A stable state is a state the TAP controller can retain for consecutive TCK cycles. Any state that does not meet this criterion is an unstable state.

There are two main paths through the state diagram: one to access and control the selected data register and one to access and control the instruction register. Only one register may be accessed at a time.

### Test-Logic-Reset

The device powers up in the Test-Logic-Reset state. In the stable Test-Logic-Reset state, the test logic is reset and is disabled so that the normal logic function of the device is performed. The instruction register is reset to an opcode that selects the optional IDCODE instruction, if supported, or the BYPASS instruction. Certain data registers also can be reset to their power-up values.

The state machine is constructed such that the TAP controller returns to the Test-Logic-Reset state in no more than five TCK cycles if TMS is left high. The TMS pin has an internal pullup resistor that forces it high if left unconnected or if a board defect causes it to be open circuited.

For the 'BCT8240A, the instruction register is reset to the binary value 11111111, which selects the BYPASS instruction. The boundary-control register is reset to the binary value 10, which selects the PSA test operation.

### Run-Test/Idle

The TAP controller must pass through the Run-Test/Idle state (from Test-Logic-Reset) before executing any test operations. The Run-Test/Idle state also can be entered following data-register or instruction-register scans. Run-Test/Idle is a stable state in which the test logic may be actively running a test or may be idle.

The test operations selected by the boundary-control register are performed while the TAP controller is in the Run-Test/Idle state.

### Select-DR-Scan, Select-IR-Scan

No specific function is performed in the Select-DR-Scan and Select-IR-Scan states, and the TAP controller exits either of these states on the next TCK cycle. These states allow the selection of either data-register scan or instruction-register scan.

### Capture-DR

When a data-register scan is selected, the TAP controller must pass through the Capture-DR state. In the Capture-DR state, the selected-data register may capture a data value as specified by the current instruction. Such capture operations occur on the rising edge of TCK, upon which the TAP controller exits the Capture-DR state.

### Shift-DR

Upon entry to the Shift-DR state, the data register is placed in the scan path between TDI and TDO and, on the first falling edge of TCK, TDO goes from the high-impedance state to an active state. TDO enables to the logic level present in the least-significant bit of the selected data register.

While in the stable Shift-DR state, data is serially shifted through the selected data register on each TCK cycle. The first shift occurs on the first rising edge of TCK after entry to the Shift-DR state (i.e., no shifting occurs during the TCK cycle in which the TAP controller changes from Capture-DR to Shift-DR or from Exit2-DR to Shift-DR). The last shift occurs on the rising edge of TCK, upon which the TAP controller exits the Shift-DR state.

#### **Exit1-DR, Exit2-DR**

The Exit1-DR and Exit2-DR states are temporary states that end a data-register scan. It is possible to return to the Shift-DR state from either Exit1-DR or Exit2-DR without recapturing the data register.

On the first falling edge of TCK after entry to Exit1-DR, TDO goes from the active state to the high-impedance state.

#### **Pause-DR**

No specific function is performed in the stable Pause-DR state, in which the TAP controller can remain indefinitely. The Pause-DR state suspends and resumes data-register scan operations without loss of data.

#### **Update-DR**

If the current instruction calls for the selected data register to be updated with current data, then such update occurs on the falling edge of TCK following entry to the Update-DR state.

#### **Capture-IR**

When an instruction-register scan is selected, the TAP controller must pass through the Capture-IR state. In the Capture-IR state, the instruction register captures its current status value. This capture operation occurs on the rising edge of TCK, upon which the TAP controller exits the Capture-IR state.

For the 'BCT8240A, the status value loaded in the Capture-IR state is the fixed binary value 10000001.

#### **Shift-IR**

Upon entry to the Shift-IR state, the instruction register is placed in the scan path between TDI and TDO and, on the first falling edge of TCK, TDO goes from the high-impedance state to an active state. TDO enables to the logic level present in the least-significant bit of the instruction register.

While in the stable Shift-IR state, instruction data is serially shifted through the instruction register on each TCK cycle. The first shift occurs on the first rising edge of TCK after entry to the Shift-IR state (i.e., no shifting occurs during the TCK cycle in which the TAP controller changes from Capture-IR to Shift-IR or from Exit2-IR to Shift-IR). The last shift occurs on the rising edge of TCK, upon which the TAP controller exits the Shift-IR state.

#### **Exit1-IR, Exit2-IR**

The Exit1-IR and Exit2-IR states are temporary states that end an instruction-register scan. It is possible to return to the Shift-IR state from either Exit1-IR or Exit2-IR without recapturing the instruction register.

On the first falling edge of TCK after entry to Exit1-IR, TDO goes from the active state to the high-impedance state.

#### **Pause-IR**

No specific function is performed in the stable Pause-IR state, in which the TAP controller can remain indefinitely. The Pause-IR state suspends and resumes instruction-register scan operations without loss of data.

#### **Update-IR**

The current instruction is updated and takes effect on the falling edge of TCK, following entry to the Update-IR state.

## register overview

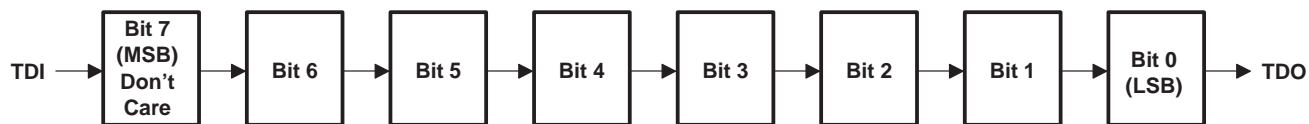
With the exception of the bypass register, any test register may be thought of as a serial-shift register with a shadow latch on each bit. The bypass register differs in that it contains only a shift register. During the appropriate capture state (Capture-IR for instruction register, Capture-DR for data registers), the shift register may be parallel loaded from a source specified by the current instruction. During the appropriate shift state (Shift-IR or Shift-DR), the contents of the shift register are shifted out from TDO while new contents are shifted in at TDI. During the appropriate update state (Update-IR or Update-DR), the shadow latches are updated from the shift register.

## instruction register description

The instruction register (IR) is eight bits long and tells the device what instruction is to be executed. Information contained in the instruction includes the mode of operation (either normal mode, in which the device performs its normal logic function, or test mode, in which the normal logic function is inhibited or altered), the test operation to be performed, which of the three data registers is to be selected for inclusion in the scan path during data-register scans, and the source of data to be captured into the selected data register during Capture-DR.

Table 2 lists the instructions supported by the 'BCT8240A. The even-parity feature specified for SCOPE™ devices is not supported in this device. Bit 7 of the instruction opcode is a don't-care bit. Any instructions that are defined for SCOPE™ devices but are not supported by this device default to BYPASS.

During Capture-IR, the IR captures the binary value 10000001. As an instruction is shifted in, this value is shifted out via TDO and can be inspected as verification that the IR is in the scan path. During Update-IR, the value that has been shifted into the IR is loaded into shadow latches. At this time, the current instruction is updated and any specified mode change takes effect. At power up or in the Test-Logic-Reset state, the IR is reset to the binary value 11111111, which selects the BYPASS instruction. The IR order of scan is shown in Figure 2.



**Figure 2. Instruction Register Order of Scan**

## data-register description

### boundary-scan register

The boundary-scan register (BSR) is 18 bits long. It contains one boundary-scan cell (BSC) for each normal-function input pin and one BSC for each normal-function output pin. The BSR is used 1) to store test data that is to be applied internally to the inputs of the normal on-chip logic and/or externally to the device output terminals, and/or 2) to capture data that appears internally at the outputs of the normal on-chip logic and/or externally at the device input terminals.

The source of data to be captured into the BSR during Capture-DR is determined by the current instruction. The contents of the BSR may change during Run-Test/Idle as determined by the current instruction. The contents of the BSR are not changed in Test-Logic-Reset.

The BSR order of scan is from TDI through bits 17–0 to TDO. Table 1 shows the BSR bits and their associated device pin signals.



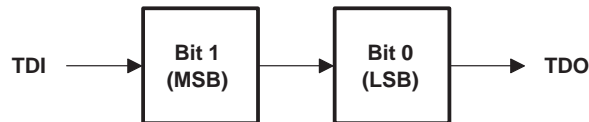
**Table 1. Boundary-Scan Register Configuration**

| BSR BIT NUMBER | DEVICE SIGNAL    | BSR BIT NUMBER | DEVICE SIGNAL | BSR BIT NUMBER | DEVICE SIGNAL |
|----------------|------------------|----------------|---------------|----------------|---------------|
| 17             | $\overline{1OE}$ | 15             | 1A1           | 7              | 1Y1           |
| 16             | $\overline{2OE}$ | 14             | 1A2           | 6              | 1Y2           |
| —              | —                | 13             | 1A3           | 5              | 1Y3           |
| —              | —                | 12             | 1A4           | 4              | 1Y4           |
| —              | —                | 11             | 2A1           | 3              | 2Y1           |
| —              | —                | 10             | 2A2           | 2              | 2Y2           |
| —              | —                | 9              | 2A3           | 1              | 2Y3           |
| —              | —                | 8              | 2A4           | 0              | 2Y4           |

### boundary-control register

The boundary-control register (BCR) is two bits long. The BCR is used in the context of the RUNT instruction to implement additional test operations not included in the basic SCOPE™ instruction set. Such operations include PRPG and PSA. Table 3 shows the test operations that are decoded by the BCR.

During Capture-DR, the contents of the BCR are not changed. At power up or in Test-Logic-Reset, the BCR is reset to the binary value 10, which selects the PSA test operation. The BCR order of scan is shown in Figure 3.

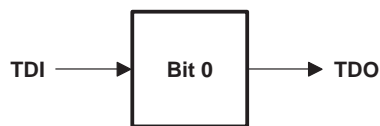


**Figure 3. Boundary-Control Register Order of Scan**

### bypass register

The bypass register is a 1-bit scan path that can be selected to shorten the length of the system scan path, thereby reducing the number of bits per test pattern that must be applied to complete a test operation.

During Capture-DR, the bypass register captures a logic 0. The bypass register order of scan is shown in Figure 4.



**Figure 4. Bypass Register Order of Scan**

### instruction-register opcode description

The instruction-register opcodes are shown in Table 2. The following descriptions detail the operation of each instruction.

**Table 2. Instruction-Register Opcodes**

| <b>BINARY CODE†<br/>BIT 7 → BIT 0<br/>MSB → LSB</b> | <b>SCOPE OPCODE</b> | <b>DESCRIPTION</b>                 | <b>SELECTED DATA REGISTER</b> | <b>MODE</b>   |
|---|---------------------|------------------------------------|-------------------------------|---------------|
| X0000000  | EXTEST/INTEST       | Boundary scan                      | Boundary scan                 | Test          |
| X0000001  | BYPASS‡             | Bypass scan                        | Bypass                        | Normal        |
| X0000010  | SAMPLE/PRELOAD      | Sample boundary                    | Boundary scan                 | Normal        |
| X0000011  | INTEST/EXTEST       | Boundary scan                      | Boundary scan                 | Test          |
| X0000100  | BYPASS‡             | Bypass scan                        | Bypass                        | Normal        |
| X0000101  | BYPASS‡             | Bypass scan                        | Bypass                        | Normal        |
| X0000110  | HIGHZ (TRIBYP)      | Control boundary to high impedance | Bypass                        | Modified test |
| X0000111  | CLAMP (SETBYP)      | Control boundary to 1/0            | Bypass                        | Test          |
| X0001000  | BYPASS‡             | Bypass scan                        | Bypass                        | Normal        |
| X0001001  | RUNT                | Boundary run test                  | Bypass                        | Test          |
| X0001010  | READBN              | Boundary read                      | Boundary scan                 | Normal        |
| X0001011  | READBT              | Boundary read                      | Boundary scan                 | Test          |
| X0001100  | CELLTST             | Boundary self test                 | Boundary scan                 | Normal        |
| X0001101  | TOPHIP              | Boundary toggle outputs            | Bypass                        | Test          |
| X0001110  | SCANCN              | Boundary-control register scan     | Boundary control              | Normal        |
| X0001111  | SCANCT              | Boundary-control register scan     | Boundary control              | Test          |
| All others  | BYPASS              | Bypass scan                        | Bypass                        | Normal        |

† Bit 7 is a don't-care bit; X = don't care.

‡ The BYPASS instruction is executed in lieu of a SCOPE™ instruction that is not supported in the 'BCT8240A.

**boundary scan**

This instruction conforms to the IEEE Standard 1149.1-1990 EXTEST and INTEST instructions. The BSR is selected in the scan path. Data appearing at the device input terminals is captured in the input BSCs, while data appearing at the outputs of the normal on-chip logic is captured in the output BSCs. Data that has been scanned into the input BSCs is applied to the inputs of the normal on-chip logic, while data that has been scanned into the output BSCs is applied to the device output terminals. The device operates in the test mode.

**bypass scan**

This instruction conforms to the IEEE Standard 1149.1-1990 BYPASS instruction. The bypass register is selected in the scan path. A logic 0 value is captured in the bypass register during Capture-DR. The device operates in the normal mode.

**sample boundary**

This instruction conforms to the IEEE Standard 1149.1-1990 SAMPLE/PRELOAD instruction. The BSR is selected in the scan path. Data appearing at the device input terminals is captured in the input BSCs, while data appearing at the outputs of the normal on-chip logic is captured in the output BSCs. The device operates in the normal mode.



#### **control boundary to high impedance**

This instruction conforms to the IEEE Standard 1149.1a-1993 HIGHZ instruction. The bypass register is selected in the scan path. A logic 0 value is captured in the bypass register during Capture-DR. The device operates in a modified test mode in which all device output terminals are placed in the high-impedance state, the device input terminals remain operational, and the normal on-chip logic function is performed.

#### **control boundary to 1/0**

This instruction conforms to the IEEE Standard 1149.1a-1993 CLAMP instruction. The bypass register is selected in the scan path. A logic 0 value is captured in the bypass register during Capture-DR. Data in the input BSCs is applied to the inputs of the normal on-chip logic, while data in the output BSCs is applied to the device output terminals. The device operates in the test mode.

#### **boundary run test**

The bypass register is selected in the scan path. A logic 0 value is captured in the bypass register during Capture-DR. The device operates in the test mode. The test operation specified in the BCR is executed during Run-Test/Idle. The four test operations decoded by the BCR are: sample inputs/toggle outputs (TOPSIP), PRPG, PSA, and simultaneous PSA and PRPG (PSA/PRPG).

#### **boundary read**

The BSR is selected in the scan path. The value in the BSR remains unchanged during Capture-DR. This instruction is useful for inspecting data after a PSA operation.

#### **boundary self test**

The BSR is selected in the scan path. All BSCs capture the inverse of their current values during Capture-DR. In this way, the contents of the shadow latches may be read out to verify the integrity of both shift-register and shadow-latch elements of the BSR. The device operates in the normal mode.

#### **boundary toggle outputs**

The bypass register is selected in the scan path. A logic 0 value is captured in the bypass register during Capture-DR. Data in the shift-register elements of the selected output BSCs is toggled on each rising edge of TCK in Run-Test/Idle and is then updated in the shadow latches and applied to the associated device output terminals on each falling edge of TCK in Run-Test/Idle. Data in the selected input BSCs remains constant and is applied to the inputs of the normal on-chip logic. Data appearing at the device input terminals is not captured in the input BSCs. The device operates in the test mode.

#### **boundary-control-register scan**

The BCR is selected in the scan path. The value in the BCR remains unchanged during Capture-DR. This operation must be performed before a boundary-run test operation to specify which test operation is to be executed.

**boundary-control-register opcode description**

The BCR opcodes are decoded from BCR bits 1–0, as shown in Table 3. The selected test operation is performed while the RUNT instruction is executed in the Run-Test/Idle state. The following descriptions detail the operation of each BCR instruction and illustrate the associated PSA and PRPG algorithms.

**Table 3. Boundary-Control Register Opcodes**

| <b>BINARY CODE<br/>BIT 1 → BIT 0<br/>MSB → LSB</b> | <b>DESCRIPTION</b>                                  |
|--|---|
| 00   | Sample inputs/toggle outputs (TOPSIP)               |
| 01   | Pseudo-random pattern generation/16-bit mode (PRPG) |
| 10   | Parallel-signature analysis/16-bit mode (PSA)       |
| 11   | Simultaneous PSA and PRPG/8-bit mode (PSA/PRPG)     |

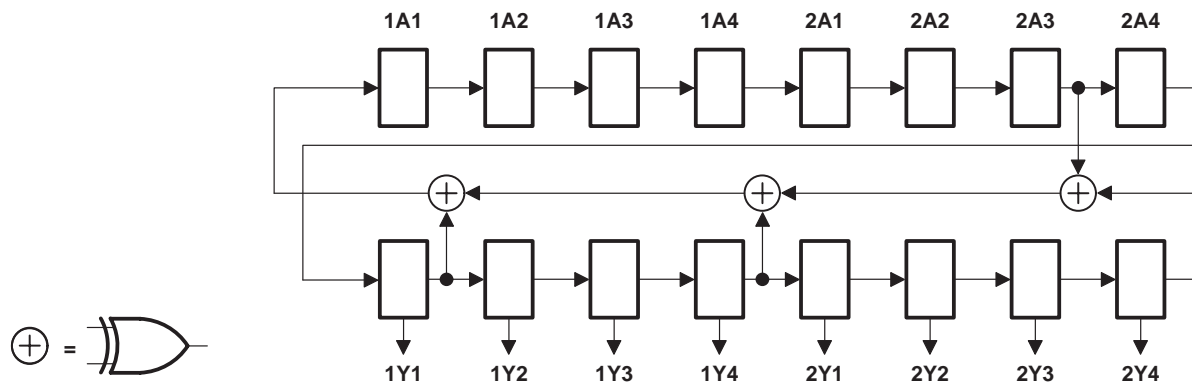
It should be noted, in general, that while the control input BSCs (bits 17–16) are not included in the sample, toggle, PSA, or PRPG algorithms, the output-enable BSCs (bits 17–16 of the BSR) do control the drive state (active or high impedance) of the selected device output terminals.

**sample inputs/toggle outputs (TOPSIP)**

Data appearing at the device input terminals is captured in the shift-register elements of the input BSCs on each rising edge of TCK. This data is then updated in the shadow latches of the input BSCs and applied to the inputs of the normal on-chip logic. Data in the shift-register elements of the output BSCs is toggled on each rising edge of TCK, updated in the shadow latches, and applied to the device output terminals on each falling edge of TCK.

**pseudo-random pattern generation (PRPG)**

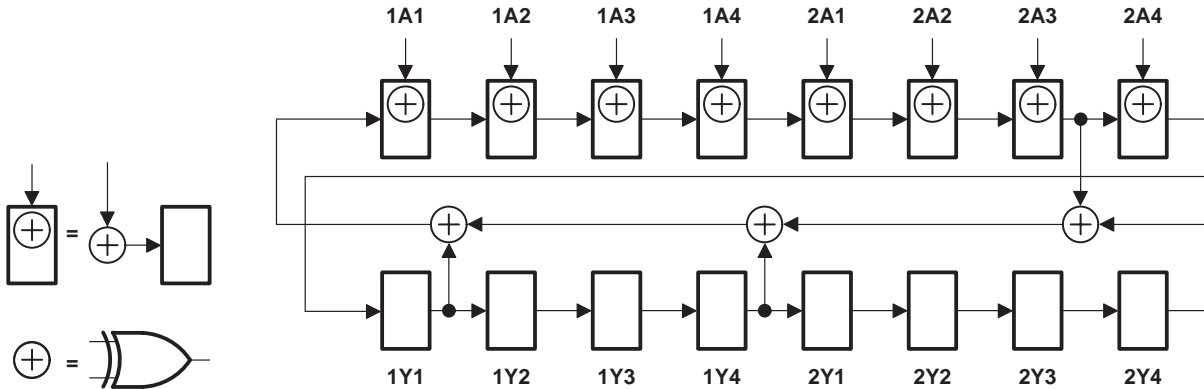
A pseudo-random pattern is generated in the shift-register elements of the BSCs on each rising edge of TCK and then updated in the shadow latches and applied to the device output terminals on each falling edge of TCK. This data also is updated in the shadow latches of the input BSCs and applied to the inputs of the normal on-chip logic. Figure 5 shows the 16-bit linear-feedback shift-register algorithm through which the patterns are generated. An initial seed value should be scanned into the BSR before performing this operation. A seed value of all zeroes will not produce additional patterns.



**Figure 5. 16-Bit PRPG Configuration**

**parallel-signature analysis (PSA)**

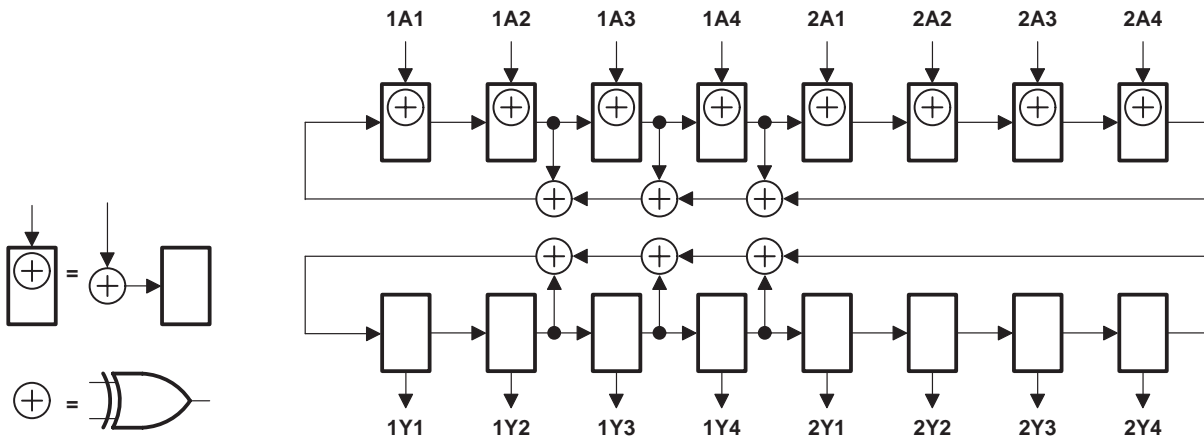
Data appearing at the device input terminals is compressed into a 16-bit parallel signature in the shift-register elements of the BSCs on each rising edge of TCK. This data is then updated in the shadow latches of the input BSCs and applied to the inputs of the normal on-chip logic. Data in the shadow latches of the output BSCs remains constant and is applied to the device outputs. Figure 6 shows the 16-bit linear-feedback shift-register algorithm through which the signature is generated. An initial seed value should be scanned into the BSR before performing this operation.



**Figure 6. 16-Bit PSA Configuration**

**simultaneous PSA and PRPG (PSA/PRPG)**

Data appearing at the device input terminals is compressed into an 8-bit parallel signature in the shift-register elements of the input BSCs on each rising edge of TCK. This data is then updated in the shadow latches of the input BSCs and applied to the inputs of the normal on-chip logic. At the same time, an 8-bit pseudo-random pattern is generated in the shift-register elements of the output BSCs on each rising edge of TCK, updated in the shadow latches, and applied to the device output terminals on each falling edge of TCK. Figure 7 shows the 8-bit linear-feedback shift-register algorithm through which the signature and patterns are generated. An initial seed value should be scanned into the BSR before performing this operation. A seed value of all zeroes will not produce additional patterns.



**Figure 7. 8-Bit PSA/PRPG Configuration**

**SN54BCT8240A, SN74BCT8240A**  
**SCAN TEST DEVICES**  
**WITH OCTAL INVERTING BUFFERS**  
 SCBS067E – FEBRUARY 1990 – REVISED DECEMBER 1996

**timing description**

All test operations of the 'BCT8240A are synchronous to TCK. Data on the TDI, TMS, and normal-function inputs is captured on the rising edge of TCK. Data appears on the TDO and normal-function output terminals on the falling edge of TCK. The TAP controller is advanced through its states (as shown in Figure 1) by changing the value of TMS on the falling edge of TCK and then applying a rising edge to TCK.

A simple timing example is shown in Figure 8. In this example, the TAP controller begins in the Test-Logic-Reset state and is advanced through its states, as necessary, to perform one instruction-register scan and one data-register scan. While in the Shift-IR and Shift-DR states, TDI is used to input serial data and TDO is used to output serial data. The TAP controller is then returned to the Test-Logic-Reset state. Table 4 details the operation of the test circuitry during each TCK cycle.

**Table 4. Explanation of Timing Example**

| TCK CYCLE(S) | TAP STATE AFTER TCK | DESCRIPTION   |
|--------------|---------------------|---|
| 1            | Test-Logic-Reset    | TMS is changed to a logic 0 value on the falling edge of TCK to begin advancing the TAP controller toward the desired state.  |
| 2            | Run-Test/Idle       |   |
| 3            | Select-DR-Scan      |   |
| 4            | Select-IR-Scan      |   |
| 5            | Capture-IR          | The IR captures the 8-bit binary value 10000001 on the rising edge of TCK as the TAP controller exits the Capture-IR state.   |
| 6            | Shift-IR            | TDO becomes active and TDI is made valid on the falling edge of TCK. The first bit is shifted into the TAP on the rising edge of TCK as the TAP controller advances to the next state.  |
| 7–13         | Shift-IR            | One bit is shifted into the IR on each TCK rising edge. With TDI held at a logic 1 value, the 8-bit binary value 11111111 is serially scanned into the IR. At the same time, the 8-bit binary value 10000001 is serially scanned out of the IR via TDO. In TCK cycle 13, TMS is changed to a logic 1 value to end the IR scan on the next TCK cycle. The last bit of the instruction is shifted as the TAP controller advances from Shift-IR to Exit1-IR. |
| 14           | Exit1-IR            | TDO becomes inactive (goes to the high-impedance state) on the falling edge of TCK.   |
| 15           | Update-IR           | The IR is updated with the new instruction (BYPASS) on the falling edge of TCK.   |
| 16           | Select-DR-Scan      |   |
| 17           | Capture-DR          | The bypass register captures a logic 0 value on the rising edge of TCK as the TAP controller exits the Capture-DR state.  |
| 18           | Shift-DR            | TDO becomes active and TDI is made valid on the falling edge of TCK. The first bit is shifted into the TAP on the rising edge of TCK as the TAP controller advances to the next state.  |
| 19–20        | Shift-DR            | The binary value 101 is shifted in via TDI, while the binary value 010 is shifted out via TDO.  |
| 21           | Exit1-DR            | TDO becomes inactive (goes to the high-impedance state) on the falling edge of TCK.   |
| 22           | Update-DR           | In general, the selected data register is updated with the new data on the falling edge of TCK.   |
| 23           | Select-DR-Scan      |   |
| 24           | Select-IR-Scan      |   |
| 25           | Test-Logic-Reset    | Test operation completed  |





**SN54BCT8240A, SN74BCT8240A**  
**SCAN TEST DEVICES**  
**WITH OCTAL INVERTING BUFFERS**  
 SCBS067E – FEBRUARY 1990 – REVISED DECEMBER 1996

**recommended operating conditions**

|                  |                                 | SN54BCT8240A |     |     | SN74BCT8240A |     |     | UNIT |
|------------------|---------------------------------|--------------|-----|-----|--------------|-----|-----|------|
|                  |                                 | MIN          | NOM | MAX | MIN          | NOM | MAX |      |
| V <sub>CC</sub>  | Supply voltage                  | 4.5          | 5   | 5.5 | 4.5          | 5   | 5.5 | V    |
| V <sub>IH</sub>  | High-level input voltage        | 2            |     |     | 2            |     |     | V    |
| V <sub>IHH</sub> | Double-high-level input voltage |              |     |     |              |     |     | V    |
|                  | TMS                             | 10           |     | 12  | 10           |     | 12  | V    |
| V <sub>IL</sub>  | Low-level input voltage         |              |     | 0.8 |              |     | 0.8 | V    |
| I <sub>IK</sub>  | Input clamp current             |              |     | -18 |              |     | -18 | mA   |
| I <sub>OH</sub>  | High-level output current       | TDO          |     | -3  |              |     | -3  | mA   |
|                  |                                 | Any Y        |     | -12 |              |     | -15 |      |
| I <sub>OL</sub>  | Low-level output current        | TDO          |     | 20  |              |     | 24  | mA   |
|                  |                                 | Any Y        |     | 48  |              |     | 64  |      |
| T <sub>A</sub>   | Operating free-air temperature  | -55          |     | 125 | 0            |     | 70  | °C   |





**electrical characteristics over recommended operating free-air temperature range (unless otherwise noted)**

| PARAMETER               | TEST CONDITIONS  |  | SN54BCT8240A             |      |      | SN74BCT8240A |      |      | UNIT          |  |
|-------------------------|--|--|--------------------------|------|------|--------------|------|------|---------------|--|
|                         |  |  | MIN                      | TYP† | MAX  | MIN          | TYP† | MAX  |               |  |
| $V_{IK}$                | $V_{CC} = 4.5\text{ V}$ , $I_I = -18\text{ mA}$                          |  | -1.2                     |      |      | -1.2         |      |      | V             |  |
| $V_{OH}$                | Any Y  | $V_{CC} = 4.75\text{ V}$ , $I_{OH} = -3\text{ mA}$ | 2.7                      | 3.4  |      | 2.7          | 3.4  |      | V             |  |
|                         |  | $V_{CC} = 4.5\text{ V}$                            | $I_{OH} = -3\text{ mA}$  | 2.4  | 3.4  |              | 2.4  | 3.4  |               |  |
|                         |  |  | $I_{OH} = -12\text{ mA}$ | 2    | 3.2  |              |      |      |               |  |
|                         |  |  | $I_{OH} = -15\text{ mA}$ |      |      |              | 2    | 3.1  |               |  |
|                         | TDO  | $V_{CC} = 4.75\text{ V}$ , $I_{OH} = -1\text{ mA}$ | 2.7                      | 3.4  |      | 2.7          | 3.4  |      | V             |  |
|                         |  | $V_{CC} = 4.5\text{ V}$                            | $I_{OH} = -1\text{ mA}$  | 2.5  | 3.4  |              | 2.5  | 3.4  |               |  |
| $I_{OH} = -3\text{ mA}$ |  |  | 2.4                      | 3.3  |      | 2.4          | 3.3  |      |               |  |
| $V_{OL}$                | Any Y  | $V_{CC} = 4.5\text{ V}$                            | $I_{OL} = 48\text{ mA}$  | 0.38 | 0.55 |              |      |      | V             |  |
|                         |  |  | $I_{OL} = 64\text{ mA}$  |      |      |              | 0.42 | 0.55 |               |  |
|                         | TDO  | $V_{CC} = 4.5\text{ V}$                            | $I_{OL} = 20\text{ mA}$  | 0.3  | 0.5  |              |      |      |               |  |
|                         |  |  | $I_{OL} = 24\text{ mA}$  |      |      |              | 0.35 | 0.5  |               |  |
| $I_I$                   | $V_{CC} = 5.5\text{ V}$ , $V_I = 5.5\text{ V}$                           |  | 0.1                      |      |      | 0.1          |      |      | mA            |  |
| $I_{IH}$                | $V_{CC} = 5.5\text{ V}$ , $V_I = 2.7\text{ V}$                           |  | -1                       | -35  | -100 | -1           | -35  | -100 | $\mu\text{A}$ |  |
| $I_{IHH}$               | TMS  | $V_{CC} = 5.5\text{ V}$ , $V_I = 10\text{ V}$      | 1                        |      |      | 1            |      |      | mA            |  |
| $I_{IL}$                | $V_{CC} = 5.5\text{ V}$ , $V_I = 0.5\text{ V}$                           |  | -30                      | -70  | -200 | -30          | -70  | -200 | $\mu\text{A}$ |  |
| $I_{OZH}$               | Any Y  | $V_{CC} = 5.5\text{ V}$ , $V_O = 2.7\text{ V}$     | 50                       |      |      | 50           |      |      | $\mu\text{A}$ |  |
|                         | TDO  |  | -1                       | -35  | -100 | -1           | -35  | -100 |               |  |
| $I_{OZL}$               | Any Y  | $V_{CC} = 5.5\text{ V}$ , $V_O = 0.5\text{ V}$     | -50                      |      |      | -50          |      |      | $\mu\text{A}$ |  |
|                         | TDO  |  | -30                      | -70  | -200 | -30          | -70  | -200 |               |  |
| $I_{OZPU}$              | $V_{CC} = 0\text{ to }2\text{ V}$ , $V_O = 0.5\text{ V or }2.7\text{ V}$ |  | $\pm 250$                |      |      | $\pm 250$    |      |      | $\mu\text{A}$ |  |
| $I_{OZPD}$              | $V_{CC} = 2\text{ V to }0$ , $V_O = 0.5\text{ V or }2.7\text{ V}$        |  | $\pm 250$                |      |      | $\pm 250$    |      |      | $\mu\text{A}$ |  |
| $I_{off}$               | $V_{CC} = 0$ , $V_I\text{ or }V_O \leq 4.5\text{ V}$                     |  | $\pm 250$                |      |      | $\pm 250$    |      |      | $\mu\text{A}$ |  |
| $I_{OS}^\ddagger$       | $V_{CC} = 5.5\text{ V}$ , $V_O = 0$                                      |  | -100                     |      | -225 | -100         |      | -225 | mA            |  |
| $I_{CC}$                | $V_{CC} = 5.5\text{ V}$ , Outputs open                                   |  | Outputs high             | 3.5  | 7.5  | 3.5          | 7.5  |      | mA            |  |
|                         |  |  | Outputs low              | 35   | 52   | 35           | 52   |      |               |  |
|                         |  |  | Outputs disabled         | 1.5  | 3.5  | 1.5          | 3.5  |      |               |  |
| $C_i$                   | $V_{CC} = 5\text{ V}$ , $V_I = 2.5\text{ V or }0.5\text{ V}$             |  | 10                       |      |      | 10           |      |      | pF            |  |
| $C_o$                   | $V_{CC} = 5\text{ V}$ , $V_O = 2.5\text{ V or }0.5\text{ V}$             |  | 18                       |      |      | 18           |      |      | pF            |  |

† All typical values are at  $V_{CC} = 5\text{ V}$ ,  $T_A = 25^\circ\text{C}$ .

‡ Not more than one output should be shorted at a time, and the duration of the short circuit should not exceed one second.

**SN54BCT8240A, SN74BCT8240A**  
**SCAN TEST DEVICES**  
**WITH OCTAL INVERTING BUFFERS**  
 SCBS067E – FEBRUARY 1990 – REVISED DECEMBER 1996

timing requirements over recommended ranges of supply voltage and operating free-air temperature (unless otherwise noted) (test mode) (see Figure 9)

|                    |                 |  | V <sub>CC</sub> = 5 V,<br>T <sub>A</sub> = 25°C |     | SN54BCT8240A |     | SN74BCT8240A |     | UNIT |
|--------------------|-----------------|--|---|-----|--------------|-----|--------------|-----|------|
|                    |                 |  | MIN   | MAX | MIN          | MAX | MIN          | MAX |      |
| f <sub>clock</sub> | Clock frequency | TCK                                    | 0   | 20  | 0            | 20  | 0            | 20  | MHz  |
| t <sub>w</sub>     | Pulse duration  | TCK high or low                        | 25  |     | 25           |     | 25           |     | ns   |
|                    |                 | TMS double high                        | 50*   |     | 50*          |     | 50           |     |      |
| t <sub>su</sub>    | Setup time      | Any A before TCK↑                      | 6   |     | 6            |     | 6            |     | ns   |
|                    |                 | Any $\overline{\text{OE}}$ before TCK↑ | 6   |     | 6            |     | 6            |     |      |
|                    |                 | TDI before TCK↑                        | 6   |     | 6            |     | 6            |     |      |
|                    |                 | TMS before TCK↑                        | 12  |     | 12           |     | 12           |     |      |
| t <sub>h</sub>     | Hold time       | Any A after TCK↑                       | 4.5   |     | 4.5          |     | 4.5          |     | ns   |
|                    |                 | Any $\overline{\text{OE}}$ after TCK↑  | 4.5   |     | 4.5          |     | 4.5          |     |      |
|                    |                 | TDI after TCK↑                         | 4.5   |     | 4.5          |     | 4.5          |     |      |
|                    |                 | TMS after TCK↑                         | 0   |     | 0            |     | 0            |     |      |
| t <sub>d</sub>     | Delay time      | Power up to TCK↑                       | 100*  |     | 100*         |     | 100          |     | ns   |

\* On products compliant to MIL-PRF-38535, this parameter is not production tested.



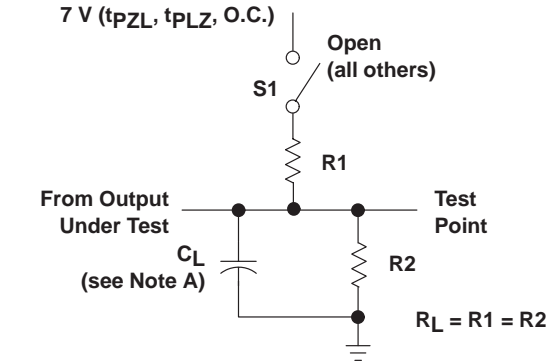
switching characteristics over recommended ranges of supply voltage and operating free-air temperature (unless otherwise noted) (normal mode) (see Figure 9)

| PARAMETER        | FROM (INPUT)           | TO (OUTPUT) | V <sub>CC</sub> = 5 V,<br>T <sub>A</sub> = 25°C |     |     | SN54BCT8240A |     | SN74BCT8240A |     | UNIT |
|------------------|------------------------|-------------|---|-----|-----|--------------|-----|--------------|-----|------|
|                  |                        |             | MIN   | TYP | MAX | MIN          | MAX | MIN          | MAX |      |
| t <sub>PLH</sub> | A                      | Y           | 2.5   | 5.7 | 7.5 | 2.5          | 10  | 2.5          | 9   | ns   |
| t <sub>PHL</sub> |                        |             | 2.5   | 5.2 | 7   | 2.5          | 9   | 2.5          | 8   |      |
| t <sub>PZH</sub> | $\overline{\text{OE}}$ | Y           | 3   | 6   | 8   | 3            | 10  | 3            | 9.5 | ns   |
| t <sub>PZL</sub> |                        |             | 3.5   | 7   | 9   | 3.5          | 12  | 3.5          | 11  |      |
| t <sub>PHZ</sub> | $\overline{\text{OE}}$ | Y           | 2.5   | 6   | 8   | 2.5          | 10  | 2.5          | 9   | ns   |
| t <sub>PLZ</sub> |                        |             | 2.5   | 5.5 | 8   | 2.5          | 10  | 2.5          | 9   |      |

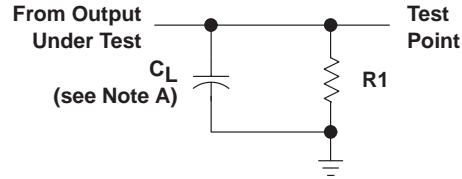
switching characteristics over recommended ranges of supply voltage and operating free-air temperature (unless otherwise noted) (test mode) (see Figure 9)

| PARAMETER        | FROM (INPUT) | TO (OUTPUT) | V <sub>CC</sub> = 5 V,<br>T <sub>A</sub> = 25°C |      |      | SN54BCT8240A |      | SN74BCT8240A |      | UNIT |
|------------------|--------------|-------------|---|------|------|--------------|------|--------------|------|------|
|                  |              |             | MIN   | TYP  | MAX  | MIN          | MAX  | MIN          | MAX  |      |
| f <sub>max</sub> | TCK          |             | 20  |      |      | 20           |      | 20           |      | MHz  |
| t <sub>PLH</sub> | TCK↓         | Y           | 6   | 13   | 15.5 | 6            | 21.5 | 6            | 20   | ns   |
| t <sub>PHL</sub> |              |             | 6   | 12.5 | 15.5 | 6            | 21.5 | 6            | 20   |      |
| t <sub>PLH</sub> | TCK↓         | TDO         | 3.5   | 7.6  | 10.5 | 3.5          | 14   | 3.5          | 13   | ns   |
| t <sub>PHL</sub> |              |             | 3.5   | 8    | 10.5 | 3.5          | 13   | 3.5          | 12   |      |
| t <sub>PLH</sub> | TCK↑         | Y           | 7.5   | 16.5 | 20   | 7.5          | 28   | 7.5          | 24   | ns   |
| t <sub>PHL</sub> |              |             | 7.5   | 17   | 21   | 7.5          | 29   | 7.5          | 25   |      |
| t <sub>PZH</sub> | TCK↓         | Y           | 6.5   | 14   | 17   | 6.5          | 24   | 6.5          | 21   | ns   |
| t <sub>PZL</sub> |              |             | 7   | 15   | 20   | 7            | 26   | 7            | 23   |      |
| t <sub>PZH</sub> | TCK↓         | TDO         | 3.5   | 7.6  | 10.5 | 3.5          | 11.5 | 3.5          | 11   | ns   |
| t <sub>PZL</sub> |              |             | 4   | 8.5  | 11   | 4            | 13.5 | 4            | 12.5 |      |
| t <sub>PZH</sub> | TCK↑         | Y           | 8   | 18   | 22   | 8            | 30   | 8            | 27   | ns   |
| t <sub>PZL</sub> |              |             | 8   | 19   | 25   | 8            | 32   | 8            | 29   |      |
| t <sub>PHZ</sub> | TCK↓         | Y           | 6   | 14   | 18   | 6            | 24   | 6            | 22   | ns   |
| t <sub>PLZ</sub> |              |             | 6   | 14   | 17   | 6            | 23   | 6            | 21   |      |
| t <sub>PHZ</sub> | TCK↓         | TDO         | 3   | 8    | 11.5 | 3            | 13   | 3            | 12.5 | ns   |
| t <sub>PLZ</sub> |              |             | 3   | 7.5  | 10   | 3            | 13   | 3            | 12   |      |
| t <sub>PHZ</sub> | TCK↑         | Y           | 8   | 18.5 | 22   | 8            | 31   | 8            | 27   | ns   |
| t <sub>PLZ</sub> |              |             | 8   | 18.5 | 22   | 8            | 31   | 8            | 27   |      |

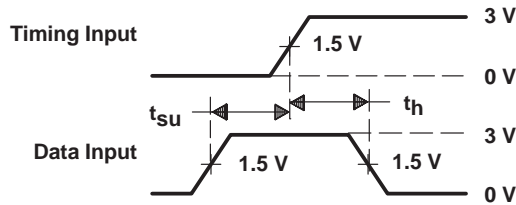
PARAMETER MEASUREMENT INFORMATION



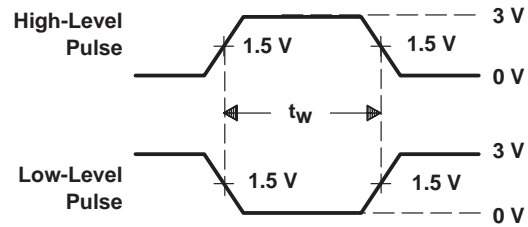
LOAD CIRCUIT FOR 3-STATE AND OPEN-COLLECTOR OUTPUTS



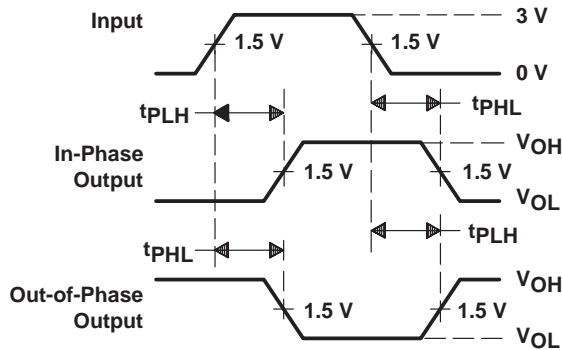
LOAD CIRCUIT FOR TOTEM-POLE OUTPUTS



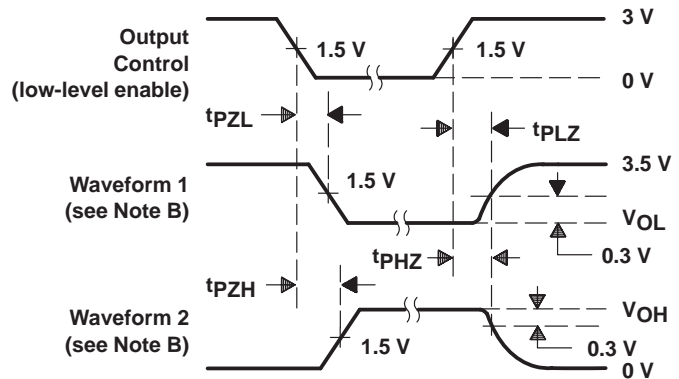
VOLTAGE WAVEFORMS SETUP AND HOLD TIMES



VOLTAGE WAVEFORMS PULSE DURATION



VOLTAGE WAVEFORMS PROPAGATION DELAY TIMES (see Note D)



VOLTAGE WAVEFORMS ENABLE AND DISABLE TIMES, 3-STATE OUTPUTS

- NOTES: A.  $C_L$  includes probe and jig capacitance.  
 B. Waveform 1 is for an output with internal conditions such that the output is low except when disabled by the output control. Waveform 2 is for an output with internal conditions such that the output is high except when disabled by the output control.  
 C. All input pulses are supplied by generators having the following characteristics:  $PRR \leq 10$  MHz,  $t_r = t_f \leq 2.5$  ns, duty cycle = 50%.  
 D. The outputs are measured one at a time with one transition per measurement.  
 E. When measuring propagation delay times of 3-state outputs, switch S1 is open.

Figure 9. Load Circuits and Voltage Waveforms

## IMPORTANT NOTICE

Texas Instruments and its subsidiaries (TI) reserve the right to make changes to their products or to discontinue any product or service without notice, and advise customers to obtain the latest version of relevant information to verify, before placing orders, that information being relied on is current and complete. All products are sold subject to the terms and conditions of sale supplied at the time of order acknowledgement, including those pertaining to warranty, patent infringement, and limitation of liability.

TI warrants performance of its semiconductor products to the specifications applicable at the time of sale in accordance with TI's standard warranty. Testing and other quality control techniques are utilized to the extent TI deems necessary to support this warranty. Specific testing of all parameters of each device is not necessarily performed, except those mandated by government requirements.

CERTAIN APPLICATIONS USING SEMICONDUCTOR PRODUCTS MAY INVOLVE POTENTIAL RISKS OF DEATH, PERSONAL INJURY, OR SEVERE PROPERTY OR ENVIRONMENTAL DAMAGE ("CRITICAL APPLICATIONS"). TI SEMICONDUCTOR PRODUCTS ARE NOT DESIGNED, AUTHORIZED, OR WARRANTED TO BE SUITABLE FOR USE IN LIFE-SUPPORT DEVICES OR SYSTEMS OR OTHER CRITICAL APPLICATIONS. INCLUSION OF TI PRODUCTS IN SUCH APPLICATIONS IS UNDERSTOOD TO BE FULLY AT THE CUSTOMER'S RISK.

In order to minimize risks associated with the customer's applications, adequate design and operating safeguards must be provided by the customer to minimize inherent or procedural hazards.

TI assumes no liability for applications assistance or customer product design. TI does not warrant or represent that any license, either express or implied, is granted under any patent right, copyright, mask work right, or other intellectual property right of TI covering or relating to any combination, machine, or process in which such semiconductor products or services might be or are used. TI's publication of information regarding any third party's products or services does not constitute TI's approval, warranty or endorsement thereof.

**PRODUCT FOLDER** | PRODUCT INFO: [FEATURES](#) | [DESCRIPTION](#) | [DATASHEETS](#) | [PRICING/AVAILABILITY/PKG](#) | [APPLICATION NOTES](#) | [USER GUIDES](#) | [MORE LITERATURE](#)

PRODUCT SUPPORT: [DEVELOPMENT TOOLS](#) | [TRAINING](#)

## SN54BCT8240A, Scan Test Devices With Octal Buffers

DEVICE STATUS: **ACTIVE**

| PARAMETER NAME    | SN54BCT8240A | SN74BCT8240A |
|-------------------|--------------|--------------|
| Voltage Nodes (V) | 5            | 5            |
| Vcc range (V)     | 4.5 to 5.5   | 4.5 to 5.5   |
| Input Level       | TTL          | TTL          |
| Logic             | Inv          | Inv          |
| No. of Outputs    | 8            | 8            |
| Output Drive (mA) | -15/64       | -15/64       |
| tpd max (ns)      | 9            | 9            |
| Output Level      | TTL          | TTL          |
| Static Current    | 29.75        | 29.75        |

### FEATURES

[▲Back to Top](#)

- Members of the Texas Instruments SCOPE™ Family of Testability Products
- Octal Test-Integrated Circuits
- Functionally Equivalent to 'F240 and 'BCT240 in the Normal-Function Mode
- Compatible With the IEEE Standard 1149.1-1990 (JTAG) Test Access Port and Boundary-Scan Architecture
- Test Operation Synchronous to Test Access Port (TAP)
- Implement Optional Test Reset Signal by Recognizing a Double-High-Level Voltage (10 V) on TMS Pin
- SCOPE™ Instruction Set
  - IEEE Standard 1149.1-1990 Required Instructions, Optional INTEST, CLAMP, and HIGHZ
  - Parallel-Signature Analysis at Inputs
  - Pseudo-Random Pattern Generation From Outputs
  - Sample Inputs/Toggle Outputs
- Package Options Include Plastic Small-Outline (DW) Packages, Ceramic Chip Carriers (FK), and Standard Plastic and Ceramic 300-mil DIPs (JT, NT)

SCOPE is a trademark of Texas Instruments Incorporated.

### DESCRIPTION

[▲Back to Top](#)

The 'BCT8240A scan test devices with octal buffers are members of the Texas Instruments SCOPE™ testability integrated-circuit family. This family of devices supports IEEE Standard 1149.1-1990 boundary scan to facilitate testing of complex circuit-board assemblies. Scan access to the test circuitry is accomplished via the 4-wire test access port (TAP) interface.

In the normal mode, these devices are functionally equivalent to the 'F240 and 'BCT240 octal buffers. The test circuitry can be activated by the TAP to take snapshot samples of the data appearing at the device terminals or to perform a self test on the boundary-test cells. Activating the TAP in normal mode does not affect the functional operation of the SCOPE™ octal buffers.

In the test mode, the normal operation of the SCOPE™ octal buffers is inhibited and the test circuitry is enabled to observe and control the I/O boundary of the device. When enabled, the test circuitry can perform boundary-scan test operations, as described in IEEE Standard 1149.1-1990.

Product Folder: SN54BCT8240A, Scan Test Devices With Octal Buffers

Four dedicated test terminals control the operation of the test circuitry: test data input (TDI), test data output (TDO), test mode select (TMS), and test clock (TCK). Additionally, the test circuitry performs other testing functions such as parallel-signature analysis (PSA) on data inputs and pseudo-random pattern generation (PRPG) from data outputs. All testing and scan operations are synchronized to the TAP interface.

The SN54BCT8240A is characterized for operation over the full military temperature range of -55°C to 125°C. The SN74BCT8240A is characterized for operation from 0°C to 70°C.

#### TECHNICAL DOCUMENTS

[▲ Back to Top](#)

To view the following documents, [Acrobat Reader 4.0](#) is required.

To download a document to your hard drive, right-click on the link and choose 'Save'.

#### DATASHEET

[▲ Back to Top](#)

Full datasheet in Acrobat PDF: [sn54bct8240a.pdf](#) (292 KB, Rev.E) (Updated: 12/01/1996)

#### APPLICATION NOTES

[▲ Back to Top](#)

View Application Notes for [Boundary Scan \(JTAG\) Bus Devices](#)

View Application Notes for [Digital Logic](#)

- [Bus-Interface Devices With Output-Damping Resistors Or Reduced-Drive Outputs \(Rev. A\)](#) (SCBA012A - Updated: 08/01/1997)
- [Cascading Multiple Linking Addressable Scan Port Devices](#) (SCTA056 - Updated: 11/05/2002)
- [Designing With Logic \(Rev. C\)](#) (SDYA009C - Updated: 06/01/1997)
- [Evaluation of Nickel/Palladium/Gold-Finished Surface-Mount Integrated Circuits](#) (SZZA026 - Updated: 06/20/2001)
- [Implications of Slow or Floating CMOS Inputs \(Rev. C\)](#) (SCBA004C - Updated: 02/01/1998)
- [Input and Output Characteristics of Digital Integrated Circuits](#) (SDYA010 - Updated: 10/01/1996)
- [Live Insertion](#) (SDYA012 - Updated: 10/01/1996)
- [TI IBIS File Creation, Validation, and Distribution Processes](#) (SZZA034 - Updated: 08/29/2002)
- [Testability Primer \(Rev. C\)](#) (SSYA002C, 592 KB - Updated: 10/01/1996)
- [Understanding and Interpreting Texas Instruments Standard-Logic Products Data Sh \(Rev. A\)](#) (SZZA036A - Updated: 02/27/2003)

#### MORE LITERATURE

[▲ Back to Top](#)

- [Enhanced Plastic Portfolio Brochure](#) (SGZB004, 387 KB - Updated: 08/19/2002)
- [Logic Reference Guide](#) (SCYB004, 1032 KB - Updated: 10/23/2001)
- [MicroStar Junior BGA Design Summary](#) (SCET004, 167 KB - Updated: 07/28/2000)
- [Military Brief](#) (SGYN138, 803 KB - Updated: 10/10/2000)
- [Overview of IEEE Std 91-1984, Explanation of Logic Symbols Training Booklet \(Rev. A\)](#) (SDYZ001A, 138 KB - Updated: 07/01/1996)
- [Palladium Lead Finish User's Manual](#) (SDYV001, 2041 KB - Updated: 11/01/1996)
- [QML Class V Space Products Military Brief \(Rev. A\)](#) (SGZN001A, 257 KB - Updated: 10/07/2002)

#### USER GUIDES

[▲ Back to Top](#)

- [LOGIC Pocket Data Book](#) (SCYD013, 4837 KB - Updated: 12/05/2002)

#### PRICING/AVAILABILITY/PKG

[▲ Back to Top](#)

| DEVICE INFORMATION<br>Updated Daily |        |                                |            |                 |                               |                             |              | TI INVENTORY STATUS<br>As Of 09:00 AM GMT, 17 Apr 2003 |                        |           | REPORTED DISTRIBUTOR INVENTORY<br>As Of 09:00 AM GMT, 17 Apr 2003 |          |                         |
|-------------------------------------|--------|--------------------------------|------------|-----------------|-------------------------------|-----------------------------|--------------|--|------------------------|-----------|---|----------|-------------------------|
| ORDERABLE DEVICE                    | STATUS | PACKAGE TYPE   PINS            | TEMP (°C)  | DSCC NUMBER     | PRODUCT CONTENT               | BUDGETARY PRICING QTY   SUS | STD PACK QTY | IN STOCK   | IN PROGRESS QTY   DATE | LEAD TIME | DISTRIBUTOR COMPANY   REGION                                      | IN STOCK | PURCHASE                |
| 5962-9174601Q3A                     | ACTIVE | <a href="#">LCCC (FK)</a>   28 | -55 TO 125 |                 | <a href="#">View Contents</a> | 1KU   20.24                 | 1            | <a href="#">230*</a>                                   | 3642   20 May          | 8 WKS     | None Reported<br><a href="#">View Distributors</a>                |          |                         |
|                                     |        |                                |            |                 |                               |                             |              |  | 4859   27 May          |           |   |          |                         |
| 5962-9174601QLA                     | ACTIVE | <a href="#">CDIP (JT)</a>   24 | -55 TO 125 |                 | <a href="#">View Contents</a> | 1KU   13.51                 | 1            | <a href="#">205*</a>                                   | 7201   20 May          | 8 WKS     | <a href="#">Avnet</a>   Americas                                  | 13       | <a href="#">BUY NOW</a> |
| SNJ54BCT8240AFK                     | ACTIVE | <a href="#">LCCC (FK)</a>   28 | -55 TO 125 | 5962-9174601Q3A | <a href="#">View Contents</a> | 1KU   20.24                 | 1            | <a href="#">40*</a>                                    | 3712   20 May          | 8 WKS     | <a href="#">Avnet-SILICA</a>   Europe                             | 4        | <a href="#">BUY NOW</a> |
|                                     |        |                                |            |                 |                               |                             |              |  | 4688   27 May          |           |   |          |                         |
| SNJ54BCT8240AJT                     | ACTIVE | <a href="#">CDIP (JT)</a>   24 | -55 TO 125 | 5962-9174601QLA | <a href="#">View Contents</a> | 1KU   13.51                 | 1            | <a href="#">24*</a>                                    | 8301   20 May          | 8 WKS     | None Reported<br><a href="#">View Distributors</a>                |          |                         |

| DEVELOPMENT TOOLS             |                               |            |
|-------------------------------|-------------------------------|------------|
| Tool Part Number              | Tool Title                    | Tool Type  |
| <a href="#">ASSET</a>         | IEEE 1149.1 Software Products | Simulators |
| <a href="#">BSDL</a>          | Boundary-Scan Logic Models    | Simulators |
| <a href="#">SCAN EDUCATOR</a> | Scan Educator                 | Simulators |

Table Data Updated on: 4/17/2003

[▲ Back to Top](#)