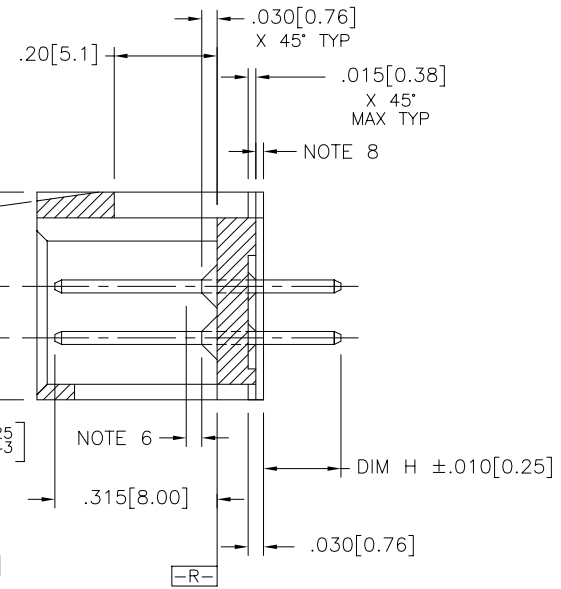
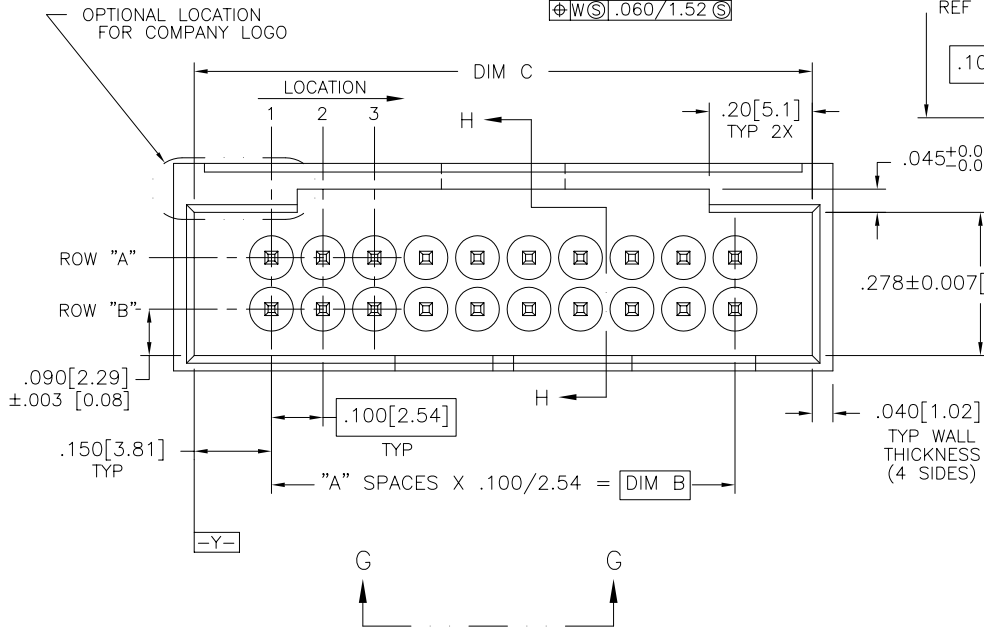
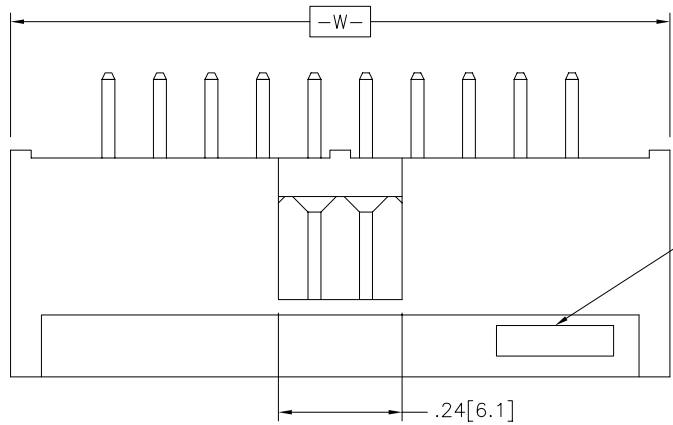


PRODUCT NUMBER  
SEE TABLE



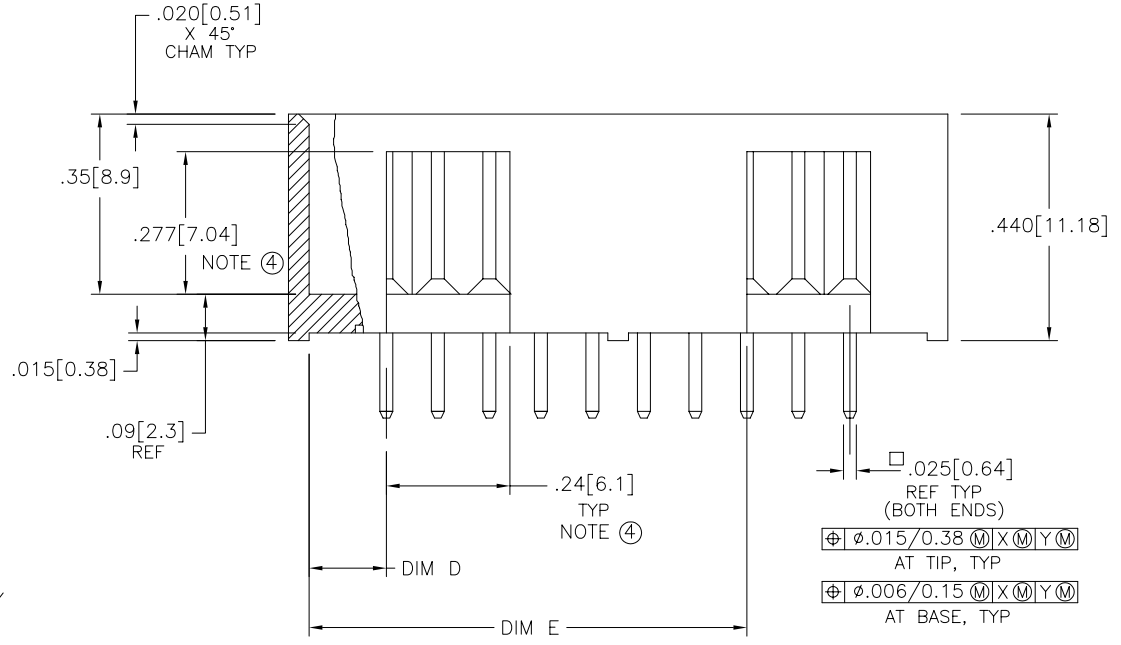
SECTION H-H

mat'l. code		surface ISO 1302		tolerance ISO 406 ISO 1101		projection 		product family HEADERS	
ltr	ecn no	dr	date	tolerances unless otherwise specified		INCH/MM		title	
B	V81247	EPK	9/21/98	angles	linear	.XX±.01/.3		STRAIGHT HEADER FOR FLAT CABLE RECEPT.	
C	M05-0089	ERE	5/20/05	0°±2°		.XXX±.005/.13		dwg no	
D	M07-0116	AGS	2/24/07			.xxxx±.0020/.051		sheet 1 of 4 size	
				dr E. KROPIEWNICK		9/21/98		68649	
				enrg M. SMYK		9/21/98		A3	
				chr M. SMYK		9/21/98		type Product Customer Drawing	
				appd M. SMYK		9/21/98			
sheet index	revision sheet	D	D	D	D				
		1	2	3	4				

FCI  
FCIconnect.com

Copyright FCI

PRODUCT NUMBER  
SEE TABLE



NOTES :

1. TERMINAL MAT'L : 3/4 HARD PHOS. BRONZE ALLOY UNS-C51000.
2. TERMINAL PLATING : 15 $\mu$ "/0.38 $\mu$  PdNi OVER 50 $\mu$ "/1.27 $\mu$  Ni PLATING ON SWAGED TIPS MANUFACTURERS OPTION.
3. MOLDING MATERIAL : GLASS FILLED POLYESTER, FLAME RETARDANT PER UL94V-0. COLOR - BLACK.
4. .020/0.51 MAX FLASH AROUND ALL WINDOWS.
5. BERG LOGO MOLDED ON DATUM SURFACE -Z- APPROXIMATELY AS SHOWN.
6. .030/0.76 MAX FLASH PERMISSIBLE ON THIS END OF PINS.
7. OTHER PLATINGS ARE AVAILABLE ON 68419, 68648 AND 68650.
8. .015/0.38 MAX FLASH PERMISSIBLE ON THIS END OF PINS.
9. ADD "LF" SUFFIX AT THE END OF PART NUMBER FOR LEAD FREE OPTION.
10. THE HOUSING WILL WITHSTAND EXPOSURE TO 260°C PEAK TEMPERATURE FOR 15 SECONDS IN A WAVE SOLDER APPLICATION WITH A 1.5mm MINIMUM THICK CIRCUIT BOARD. SEE APPLICATION NOTES/PROCEDURES IF THEY ARE AVAILABLE.
11. THIS PRODUCT MEETS EUROPEAN UNION DIRECTIVES AND OTHER COUNTRY REGULATION AS DESCRIBED IN GS-22-008.

VIEW G-G

FCI  
FCIconnect.com  
Copyright FCI

mat'l. code		surface ISO 1302 ✓		tolerance ISO 406 ISO 1101		projection INCH/MM		product family HEADERS	
ltr	ecn	no	dr	date		tolerances unless otherwise specified		title	
D						angles	linear	STRAIGHT HEADER FOR FLAT CABLE RECEIPT.	
						0°±2'	.XX±.01/.3 .XXX±.005/.13 .XXXX±.0020/.051	scale 3:1	
						dr	E. KROPIEWNICZAK	9/21/98	
						enr	M. SMYK	9/21/98	
						chr	M. SMYK	9/21/98	
						appd	M. SMYK	9/21/98	
sheet index		revision sheet						FCI	
								dwg no 68649 sheet 2 of 4 size A3	
								type Product Customer Drawing	

PRODUCT NUMBER NOTE 9	NO. OF POSITIONS	A SPACES	DIM B	DIM C	DIM D	DIM E	DIM H
68649-001	6	2	.200/5.08	.500/12.70	.150/3.81	-	.130/3.30
-002	8	3	.300/7.62	.600/15.24	.150/3.81	-	
-003	10	4	.400/10.16	.700/17.78	.250/6.35	-	
-004	12	5	.500/12.70	.800/20.32	.250/6.35	-	
-005	14	6	.600/15.24	.900/22.86	.350/8.89	-	
-006	16	7	.700/17.78	1.000/25.40	.350/8.89	-	
-007	18	8	.800/20.32	1.100/27.94	.450/11.43	-	
-008	20	9	.900/22.86	1.200/30.48	.150/3.81	.850/21.59	
-009	22	10	1.000/25.40	1.300/33.02		.950/24.13	
-010	24	11	1.100/27.94	1.400/35.56		1.050/26.67	
-011	26	12	1.200/30.48	1.500/38.10		1.150/29.21	
-012	28	13	1.300/33.02	1.600/40.64		1.250/31.75	
-013	30	14	1.400/35.56	1.700/43.18		1.350/34.29	
-014	32	15	1.500/38.10	1.800/45.72		1.450/36.83	
-015	34	16	1.600/40.64	1.900/48.26		1.550/39.37	
-016	36	17	1.700/43.18	2.000/50.80		1.650/41.91	
-017	38	18	1.800/45.72	2.100/53.34		1.750/44.45	
-018	40	19	1.900/48.26	2.200/55.88		1.850/46.99	
-019	42	20	2.000/50.80	2.300/58.42		1.950/49.53	
-020	44	21	2.100/53.34	2.400/60.96		2.050/52.07	
-021	46	22	2.200/55.88	2.500/63.50		2.150/54.61	
-022	48	23	2.300/58.42	2.600/66.04		2.250/57.15	
-023	50	24	2.400/60.96	2.700/68.58		2.350/59.69	
-024	52	25	2.500/63.50	2.800/71.12		2.450/62.23	
68649-025	54	26	2.600/66.04	2.900/73.66	.150/3.81	2.550/64.77	.130/3.30



Copyright FCI

mat'l. code		surface ISO 1302 <input checked="" type="checkbox"/>		tolerance ISO 406 ISO 1101		projection 		product family HEADERS	
ltr	ecn no	dr	date	tolerances unless otherwise specified		INCH/MM		title	
D				angles	linear	.XX±.01/.3 .XXX±.005/.13 .XXXX±.0020/.051		STRAIGHT HEADER FOR FLAT CABLE RECEPT.	
				0°±2°		scale 3:1		sheet 3 of 4 size	
				dr	E. KROPIEWNICZ	9/21/98		68649 A3	
				enr	M. SMYK	9/21/98		type Product Customer Drawing	
				chr	M. SMYK	9/21/98			
				appd	M. SMYK	9/21/98			
sheet index	revision sheet								

PRODUCT NUMBER NOTE 9	NO. OF POSITIONS	A SPACES	DIM B	DIM C	DIM D	DIM E	DIM H
68649-026	56	27	2.700/68.58	3.000/76.20	.150/3.81	2.650/67.31	.130/3.30
-027	58	28	2.800/71.12	3.100/78.74		2.750/69.85	
-028	60	29	2.900/73.66	3.200/81.28		2.850/72.39	
-029	62	30	3.000/76.20	3.300/83.82		2.950/74.93	
-030	64	31	3.100/78.74	3.400/86.36		3.050/77.47	
-031	66	32	3.200/81.28	3.500/88.90		3.150/80.01	
-032	68	33	3.300/83.82	3.600/91.44		3.250/82.55	
-033	70	34	3.400/86.36	3.700/93.98		3.350/85.09	
-034	72	35	3.500/88.90	3.800/96.52	.150/3.81	3.450/87.63	.130/3.30
-035	10	4	.400/10.16	.700/17.78	.250/6.35	-	.155/3.94
-036	14	6	.600/15.24	.900/22.86	.350/8.89	-	
-037	20	9	.900/22.86	1.200/30.48	.150/3.81	.850/21.59	
-038	26	12	1.200/30.48	1.500/38.10		1.150/29.21	
-039	32	15	1.500/38.10	1.800/45.72		1.450/36.83	
-040	40	19	1.900/48.26	2.200/55.88		1.850/46.99	
-041	50	24	2.400/60.96	2.700/68.58	.150/3.81	2.350/59.69	.155/3.94
-042	INACTIVE						
-043	INACTIVE						
68649-044	INACTIVE						



Copyright FCI

mat'l. code		surface ISO 1302 <input checked="" type="checkbox"/>	tolerance ISO 406 ISO 1101	projection 	product family HEADERS
ltr	ecn no	dr	date	tolerances unless otherwise specified	title
D				.XX±.01/.3 linear .xxx±.005/.13 0°±2' .xxxx±.0020/.051	STRAIGHT HEADER FOR FLAT CABLE RECEPT.
				scale 3:1	dwg no sheet 4 of 4 size 68649 A3
				dr E. KROPIEWNICZ 9/21/98	FCI type Product Customer Drawing
				enfr M. SMYK 9/21/98	
				chr M. SMYK 9/21/98	
				appd M. SMYK 9/21/98	
sheet index	revision sheet				