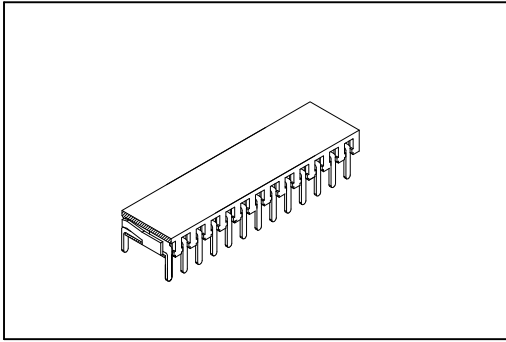


2049 Series

P.C.B. Socket 2.54mm(0.100")



Material:

Housing: Thermoplastic Polyester Glass Filled UL94V-0.

Contacts: Copper Alloy.

Electrical Characteristics:

Current Rating: 2 A.

Dielectric Withstanding Voltage: AC 1000V.

Insulator Resistance: 1000MΩmin.

Contact Resistance: 20mΩ max.

Operating Temperature: -55°C~+105°C.

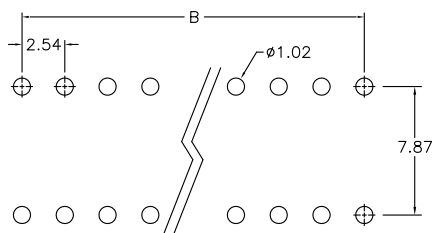
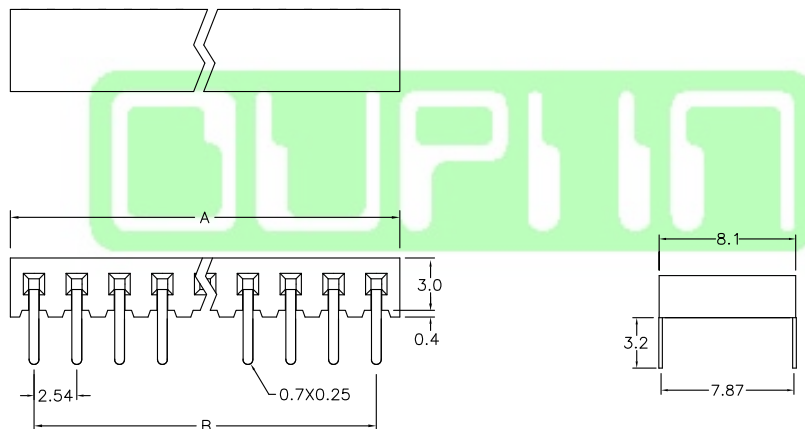
Features:

* Single row Side Entry.

* 2.54mmX7.87mm center.

* Additional plating options available.

Mates with: 2011.



P.C. Board Layout

Position Dimension	2 Thru 40
A	2.54 X No. of Positions
B	2.54 X No. of Positions -2.54

Ordering information

2049- 1 X 40
Series Single Row No. of Pin Per Row

G
G: Gold Plated

00
00: G/F

U
U: Tube Package