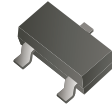


CDSH3-21-G

Voltage: 200 Volts

Current: 200 mA

RoHS Device

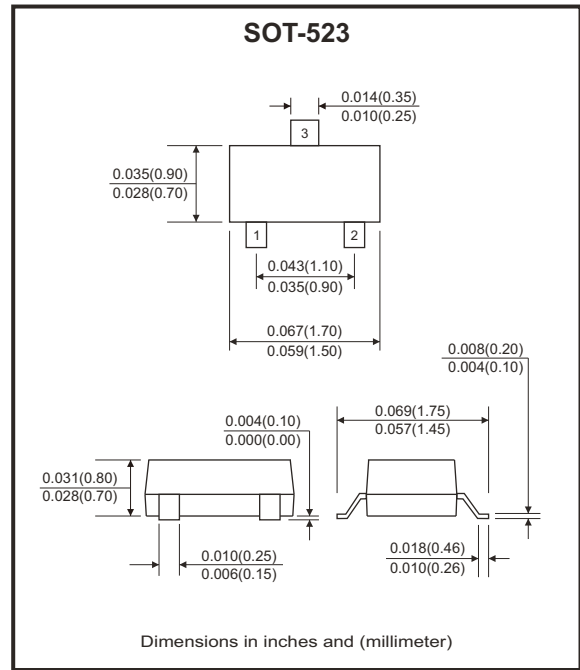


Features

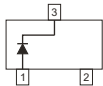
- Fast switching speed.
- For general purpose switching applications.
- High conductance.

Mechanical data

- Case: SOT-523, molded plastic.
- Terminals: Solder plated, solderable per MIL-STD-202E, method 208C.
- Weight: 0.002 grams approx.



Circuit Diagram



Maximum Ratings (at TA=25°C unless otherwise noted)

Parameter	Symbol	Value	Unit
Peak repetitive peak reverse voltage	V_{RRM}	200	V
Working peak reverse voltage	V_{RWM}		
DC blocking voltage	V_R		
Forward continuous current	I_{FM}	400	mA
Averaged rectified output current	I_O	200	mA
Non-repetitive peak forward surge current @ t=8.3ms	I_{FSM}	2.5	A
Power dissipation	P_D	150	mW
Thermal resistance junction to ambient	$R_{\theta JA}$	833	°C/W
Operating junction temperature	T_J	150	°C
Storage temperature range	T_{STG}	-55 to +150	°C

Electrical Characteristics (at TA=25°C unless otherwise noted)

Parameter	Symbol	Conditions	Min.	Typ.	Max.	Unit
Reverse breakdown voltage	$V_{(BR)}$	$I_R=100\mu A$	200			V
Reverse current	I_R	$V_R=200V$			100	nA
Forward voltage	V_{F1}	$I_F=100mA$			1	V
	V_{F2}	$I_F=200mA$			1.25	
Total capacitance	C_T	$V_R=0V, f=1MHz$			5	pF
Reverse recovery time	T_{rr}	$I_F=I_R=30mA, I_{RR}=0.1 \times I_R, R_L=100\Omega$			50	ns

Rating and Characteristic Curves (CDSH3-21-G)

Fig.1 - Forward Characteristics

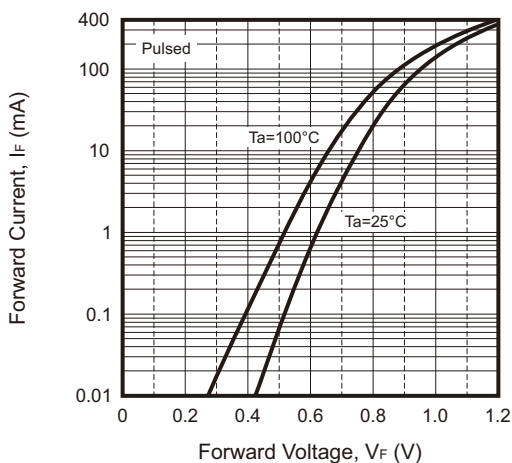


Fig.2 - Reverse Characteristics

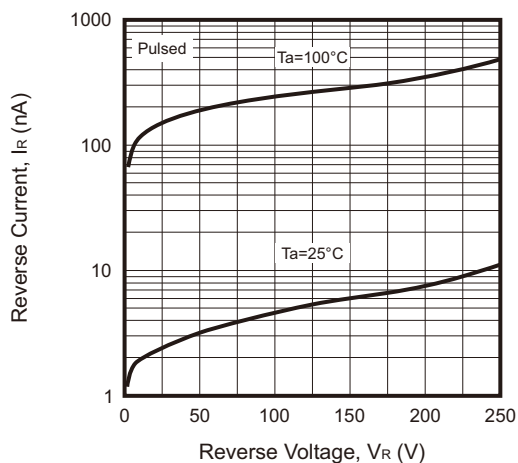


Fig.3 - Capacitance Characteristics

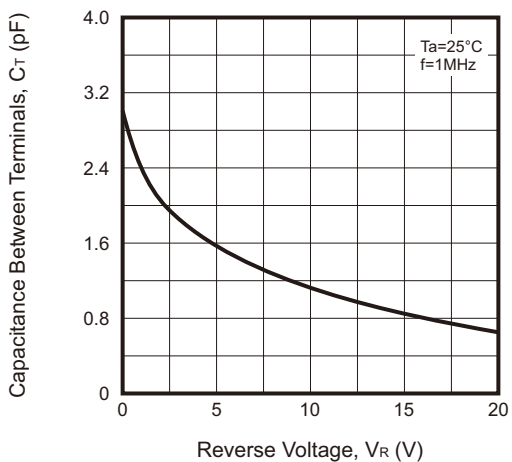
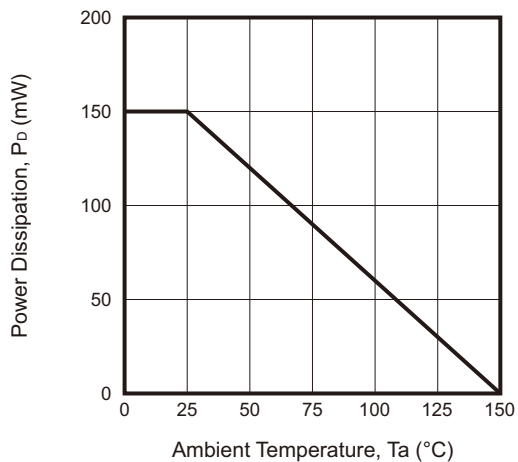
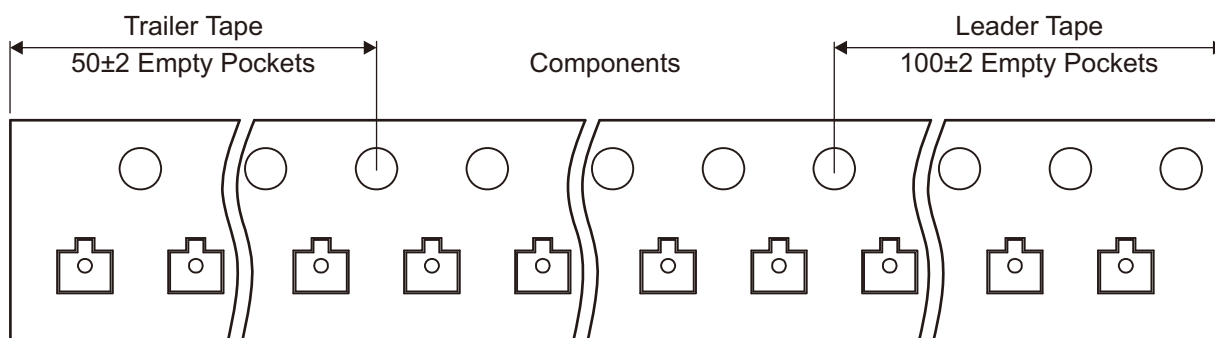
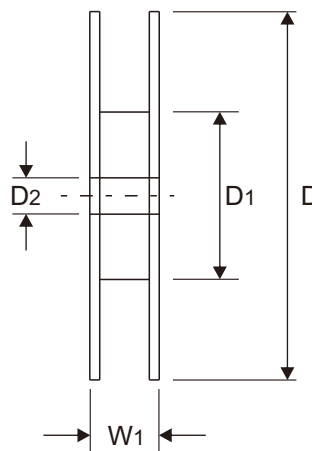
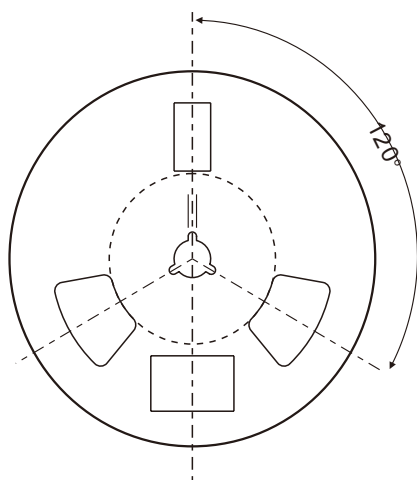
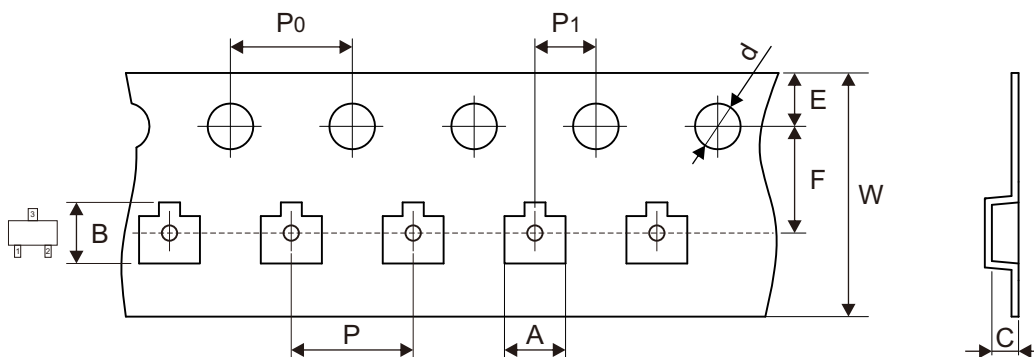


Fig.4 - Power Derating Curve



Reel Taping Specification



SOT-523	SYMBOL	A	B	C	d	D	D1	D2
	(mm)	1.85 ± 0.05	1.85 ± 0.05	0.875 ± 0.05	1.50 ± 0.10	178.00 ± 2.00	54.40 ± 1.00	13.00 ± 1.00
	(inch)	0.073 ± 0.002	0.073 ± 0.002	0.034 ± 0.002	0.059 ± 0.004	7.008 ± 0.079	2.142 ± 0.039	0.512 ± 0.039

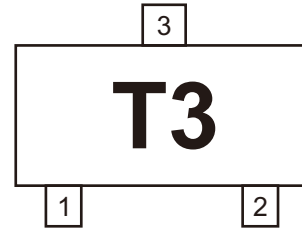
SOT-523	SYMBOL	E	F	P	P0	P1	W	W1
	(mm)	1.75 ± 0.10	3.50 ± 0.10	4.00 ± 0.10	4.00 ± 0.10	2.00 ± 0.10	8.00 + 0.30 - 0.10	12.30 ± 1.00
	(inch)	0.069 ± 0.004	0.138 ± 0.004	0.157 ± 0.004	0.157 ± 0.004	0.079 ± 0.004	0.315 + 0.012 - 0.004	0.484 ± 0.039

Company reserves the right to improve product design, functions and reliability without notice.

REV:B

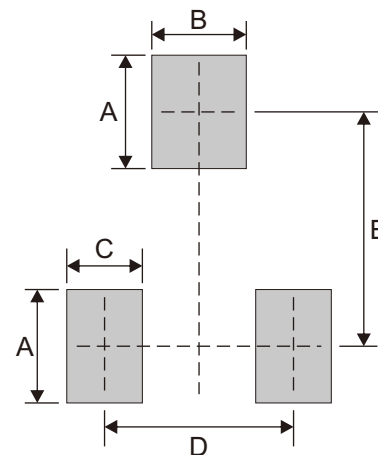
Marking Code

Part Number	Marking Code
CDSH3-21-G	T3



Suggested PAD Layout

SIZE	SOT-523	
	(mm)	(inch)
A	0.60	0.024
B	0.50	0.020
C	0.40	0.016
D	1.00	0.039
E	1.24	0.049



Standard Packaging

Case Type	REEL PACK	
	REEL (pcs)	Reel Size (inch)
SOT-523	3,000	7