

NPN SILICON RF POWER TRANSISTOR

DESCRIPTION:

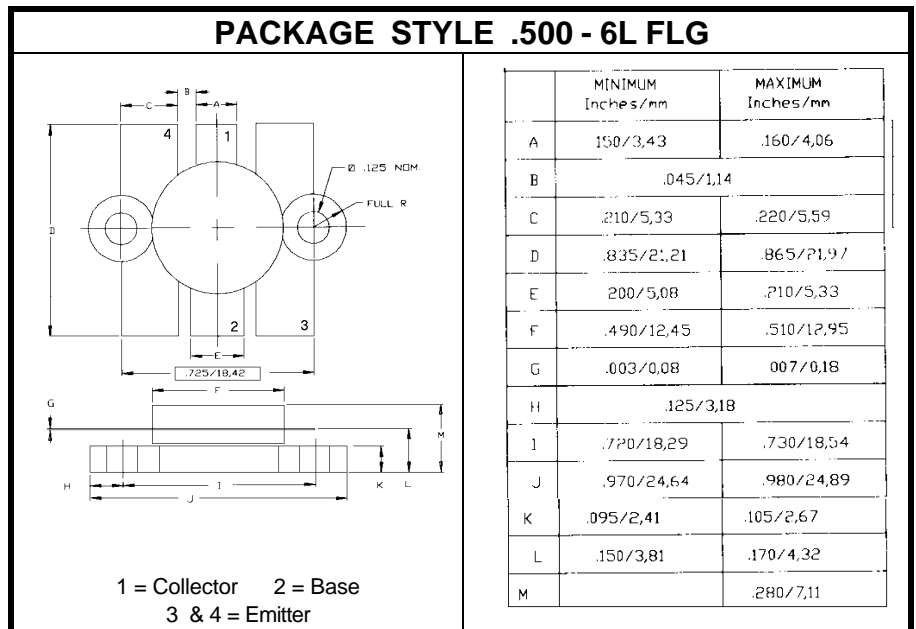
The **ASI UMIL25F** is a Common Emitter Device Designed For Military UHF Power Amplifier Applications.

FEATURES INCLUDE:

- Internal Input Matching Network
- **20:1** Load VSWR Capability
- All Gold Metalization

MAXIMUM RATINGS

| | |
|-------------------------|-------------------------------|
| I_C | 3.0 A |
| V_{CB} | 60 V |
| P_{DISS} | 70 W @ T _C = 25 °C |
| T_J | -55 °C to +200 °C |
| T_{STG} | -55 °C to +150 °C |
| q_{JC} | 2.5 °C/W |


CHARACTERISTICS T_C = 25 °C

| SYMBOL | TEST CONDITIONS | MINIMUM | TYPICAL | MAXIMUM | UNITS |
|-------------------------|--|---------|---------|---------|------------|
| BV_{CBO} | I _C = 50 mA | 60 | | | V |
| BV_{CES} | I _C = 50 mA | 60 | | | V |
| BV_{EBO} | I _E = 5 mA | 3.5 | | | V |
| h_{FE} | V _{CE} = 5 V I _C = 500 mA | 10 | | 120 | --- |
| C_{OB} | V _{CB} = 28 V f = 1 MHz | | | 30 | pF |
| G_{PE} | | 9.0 | 10.0 | | dB |
| h_C | V _{CE} = 28 V P _{OUT} = 25 W f = 400 MHz | 50 | 55 | | % |
| Y | | 20:1 | | | --- |