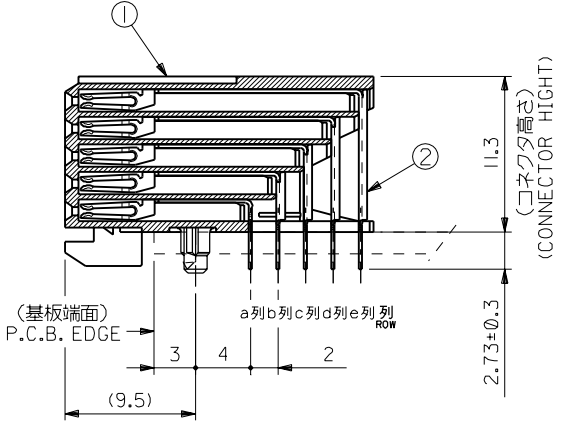
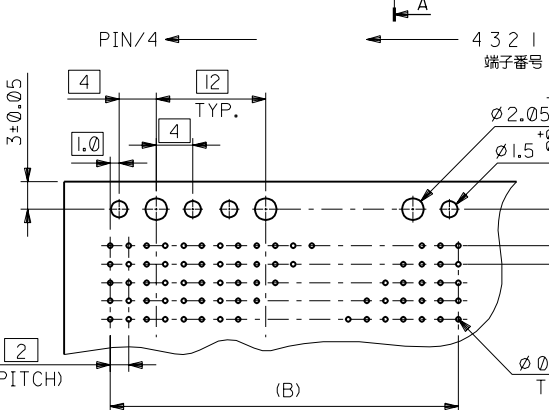
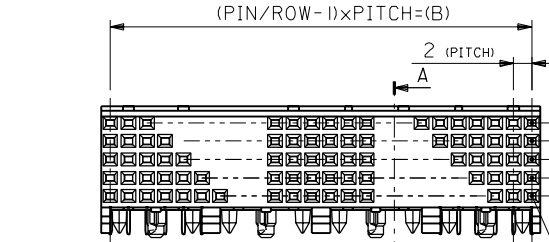
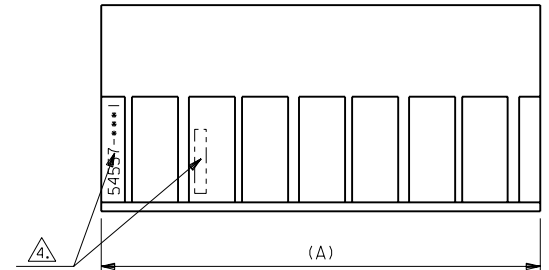


DWG. NO. SD-54557-002

番号 No.	部品 PART NAME	材質 MATERIAL	仕上げ FINISH
①	リセプタクル ハウジング RECEPTACLE HOUSING	液晶ポリマー、ガラス充填、自然色(白)、UL94V-0 LIQUID CRYSTAL POLYMER, GLASS FILLED, NATURAL(WHITE), UL94V-0	—
②	リセプタクル ターミナル RECEPTACLE TERMINAL	リン青銅 PHOSPHOR BRONZE	△



注記
NOTE :

△ターミナル めっき仕様
TERMINAL PLATING
 金めっき: 0.76µm MIN. (接点部)
 GOLD: 0.76µm MIN. (CONTACT AREA)
 半田めっき: 1.0µm MIN. (半田付け部)
 TIN-LEAD: 1.0µm MIN. (SOLDER AREA)
 ニッケルメッキ: 2.0µm MIN. (下地めっき)
 NICKEL: 1.0µm MIN. (UNDER PLATING)

2. 推奨基板厚: t=1.6mm
 RECOMMENDED P.C.B. THICKNESS :

3. 適合プラグ: 55060, 55332, 55333
 APPLICABLE PLUG :

△製品番号及びロットナンバー
 MATERIAL NO. & LOT NO.

A-A
(NON-SCALE)

94	95.98	54557-2401	240
46	47.98	54557-1201	120
22	23.98	54557-0601	60
10	11.98	54557-0301	30
B	A	MATERIAL NO.	PIN

基板穴推奨寸法 (部品実装)
 RECOMMENDED P.C.B. LAYOUT (COMPONENT SIDE)

DO NOT SCALE DRAWING

REV	DESCRIPTION	材料 MATERIAL	FINISH 仕上げ	WIRE RANGE 適用線径範囲	INS. RANGE 被覆外径
B	REVISED Eg. NO. JD2001-1438 DRWN: SHOSHIKAWA 00/04/74 CHK: ANODA APPR: HIKESUCI				
A	RELEASED Eg. NO. JD2001-0317 DRWN: SHOSHIKAWA 00/06/25 CHK: ANODA APPR: HIKESUCI				

GENERAL TOLERANCES: (UNLESS SPECIFIED) 一般公差	SCALE	DESIGN UNITS
10 UNDER 未滿	2-1	mm □ INCH
10 OVER 以上		mm □ INCH □ mm ONLY
30 OVER 以上		

MODEL NO. : 54557-***I		DIMENSIONS:		SHT	REV
SCALE	DESIGN UNITS	mm □ INCH □ mm ONLY	mm ONLY		
DRAWN BY & DATE	CHECKED BY & DATE	TITLE: "MFB" B/B CONN. (FB+) REC. ASS'Y SROW DIP			
APPROVED BY & DATE	MOLEX INCORPORATED				
CAD FILENAME	MATERIAL NO.	DRAWING NO.	SHEET NO.		
SD-54557-002.S01	SEE TABLE	SD-54557-002	1 OF 1		
THIS DRAWING CONTAINS INFORMATION THAT IS PROPRIETARY TO MOLEX INCORPORATED AND SHOULD NOT BE USED WITHOUT WRITTEN PERMISSION.					SIZE B

SD-54557-002-500

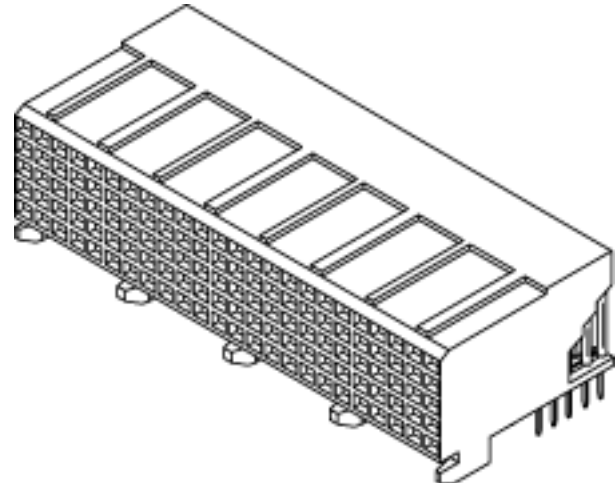
Datasheet
Backplane

2.00mm (.079") Pitch MFB™ (Futurebus+) PCB Receptacle, Right Angle, 5-Row, Solder Type, 1.60mm (.063") PCB Thickness 54557

[[Home](#) > [Products](#) > [Backplane](#) > Datasheet]

[Help](#)

Status	Active	<input type="checkbox"/>
Application	Daughtercard	
Module	PCB Receptacle	
Orientation	Right Angle	
Shielded	No	
Product Name	MFB™	
Pitch / Center Spacing	2.00mm (.079")	
Circuits / Positions	30, 60, 120, 240	
Rows	5	
Modularity	12mm	
Voltage-max [volts]	100V AC	
Current-max [amps]	1.0A	
Contact Resistance [ohms]	50 milliohms max.	
Withstanding Voltage	750V	
Insulation Resistance [ohms]	1000 Megohms min.	
Product Specification	PS-54557-006	
Packaging	Tray	
CSA File No.	LR19980	
Mates With	55060, 55332	
Designed In	Millimeters	
Mating Force-max. (per circuit)	1.0N (0.22 lb)	
Unmating Force-min. (per circuit)	0.15N (0.034 lb)	
Durability [mating cycles] min.	250	
PCB Mounting	Through Hole	
Surface Mount Compatible (SMC)	Yes	
PCB Thickness	1.60mm (.063")	



Features and Benefits

- Tulip-shaped dual-beam contact provides high normal force and low insertion force
- Selective Gold plating in terminal contact area
- Terminal press block for true PCB positioning
- Press-fit PCB retention pegs
- Polarizing key posts and guide walls
- Surface Mount Compatible

Polarized to PCB	Yes
Housing - Material	LCP, Glass-filled
Flammability	UL 94V-0
Color	White
Contact	Phosphor Bronze
Plating Thickness	0.76µm (30µ")
Plating Contact	Gold (Au)
Plating Tail	Tin/Lead (Sn/Pb)
Temperature Range	-55°C to +125°C
Coding Key	Yes
Stackable	End-to-End
MX01 Catalog Page	J-91
Molex Series	54557

[E-mail this page to a friend](#)

[© Copyright 2002 Molex Incorporated]