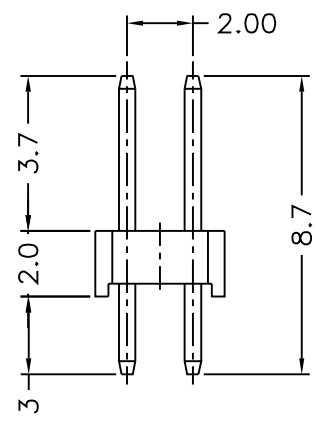
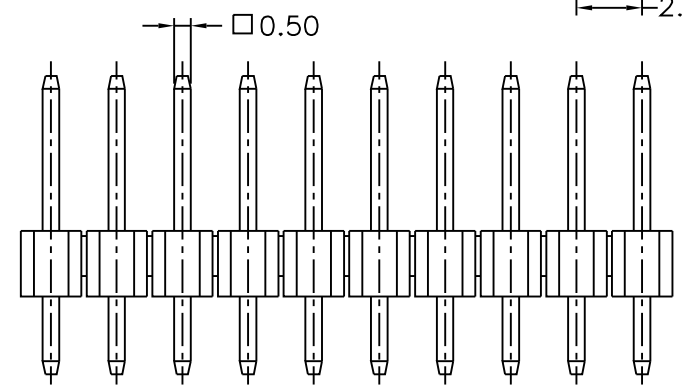
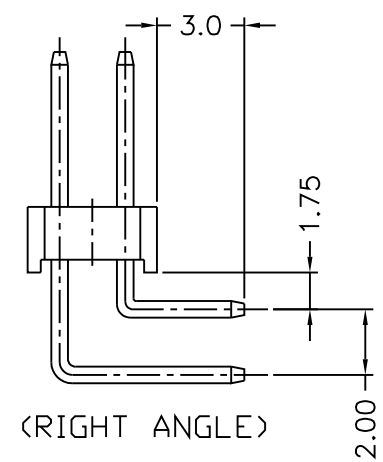


NOTE: 4~80 POSITION



(STRAIGHT)



(RIGHT ANGLE)

Specifications:

Insulator Material: PBT & 30% Glass Fiber(UL 94V-0)

Contact Resistance: 30MΩ Max at DC 100MA


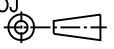
Insulator Resistance: 1000MΩ Min at DC 500 V

Current Rating: 1 AMP

Dielectric Withstanding Voltage: AC 500V For 1 minute

Temperature Rating: -55°C ~ +105°C

Contact Material: Phosphor Brass

 易昕企業有限公司 LEAMAX ENTERPRISE CO., LED.		MOLD NO		2141	
PROJ		SCALE : F	DO NOT SCALE DWG		
APP		MODEL	FILE NO	REV. X1	
CHK	CCJ	89.10.25			
DGN	WU	89.10.25	UNIT	SHT 1 OF 1	SIZE A4
DRW	SHIEH	89.10.25	MM		