

REFERENCE SPECIFICATIONS

-NFC 93425 (in compliance with HE 501)

PHYSICAL CHARACTERISTICS

-INSULATOR MATERIAL: THERMOPLASTIC UL94V0
 -CONTACT MATERIAL: PHOSPHOR BRONZE

-ACCESSORIES: BRASS
 -SHELLS: STEEL

ELECTRICAL CHARACTERISTICS

-NOMINAL CURRENT: 7.5A
 -CONTACT RESISTANCE: <= 7.3 m ohms
 -CONTACT/CONTACT : >=1000 V
 -CONTACT/GROUND : >=1200 V
 -INSULATION RESISTANCE: >=5000 MOhms

ENVIRONMENTAL CHARACTERISTICS

- CLIMATIC CATEGORY: 55/125/56
 TEMPERATURE RANGE -55°C TO +125°C
 DAMP HEAT STEADY STATE 56 DAYS
 SALT SPRAY 48 HOURS

MECHANICAL CHARACTERISTICS

- RETENTION AGAINST TORQUE: - Threaded insert: 0.7 N.m minimum
 - Female screw : 0.5 N.m minimum

NOTE RoHS INFORMATION

- The "LF" products meet european union Directives and other country regulations as described in GS-22-008.
- Termination plating spec:
Gold over Nickel
- Active area plating spec:
Gold over Nickel
- Shell plating :Bright pure tin white or transparent color
- Accessories: Bright pure tin white or transparent color
- Packaging spec: See GS-14-920

DBML25S300LF

Series

Shell size: **E A B C D**
see sheet 2

Front accessory definition
see sheet 2

- Blank** :without accessory
- F** :floating mounting
- L** :threaded insert M3
- O** :threaded insert UNC 4-40
- V** :female screw UNC 4-40
- S** :spacer

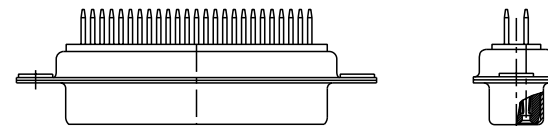
Contact number (see sheet 2)
9,15,25,37,50

Contacts
S :Socket

Termination type
3 :Straight version

Plating
00 : 500 matings/unmatings
43 : 500 matings/unmatings for harsh environment

See note RoHS



25 WAY for Example

rev	ecn no	dr	date
A	LS06-0008	MPE	2006/01/16
B	LS07-0235	MPE	2007/09/13
C	LS07-0273	MPE	2007/10/29
-	-	-	-
-	-	-	-
-	-	-	-

www.fciconnect.com		surface	tolerance std	projection	mm
		ISO 1302	ISO 406 ISO 1101	⊕	←→
		TOLERANCES UNLESS OTHERWISE SPECIFIED			
Dr	M PESSON	11/10/05	ANGULAR	LINEAR	size A2 Scale 2:1
Eng			0.X	±0.3	
Chr	P LEGARE		0.xx	±0.1	
Appr			0.xxx	±0.05	ECN LS07-0273
		Product family		- Spec ref	
FCI		SUB FEMALE DM HES01 serie		C01-8637-1673	
		with straight solder contact		Rev. C	
catalog no		CUSTOMER		sheet 1 of 4	

1 2 3 4 5 6 7 8

A

B

C

D

E

F

A

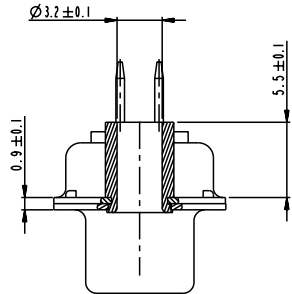
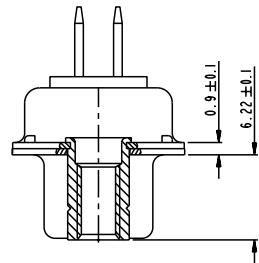
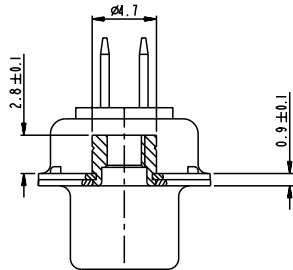
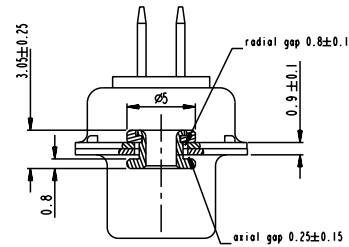
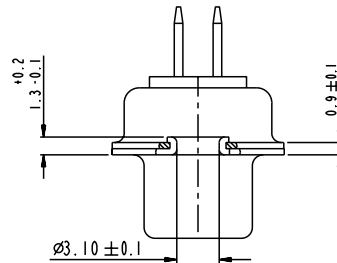
B

C

D

E

F



FRONT ACCESSORY **Blank** without **F** floating mounting **L** insert M3 **O** insert UNC 4.40 **V** female screw UNC 4.40 **S** spacer

PART NUMBER	FRONT ACCESSORY
D*MxxS300LF	without
D*MFxxS300LF	floating mounting
D*MLxxS300LF	insert M3
D*MOxxS300LF	insert UNC 4.40
D*MVxxS300LF	female screw UNC 4.40
D*MSxxS300LF	spacer

shell size	Contact number
*	XX
E	09
A	15
B	25
C	37
D	50

PART NUMBER	FRONT ACCESSORY
D*MxxS343LF	without
D*MFxxS343LF	floating mounting
D*MLxxS343LF	insert M3
D*MOxxS343LF	insert UNC 4.40
D*MVxxS343LF	female screw UNC 4.40
D*MSxxS343LF	spacer

CROSS REFERENCES HE501 and FCI

HE501 P/N	FCI P/N	FRONT ACCESSORY
HE501NxxYS4	D*MxxS300LF	without
HE501FxxYS4	D*MFxxS300LF	floating mounting

Copyright FCI, FCJ

www.fciconnect.com		surface ISO 1302	tolerance std ISO 406 ISO 1101	projection ISO 1101	mm
		TOLERANCES UNLESS OTHERWISE SPECIFIED			
Dr	M PESSON	11/10/05	ANGULAR	0.X ±0.3	size A2 Scale 2:1
Eng	11/10/05	P LEGARE	LINEAR	0.XX ±0.1	
Chr			0° ±2°	0.XXX ±0.05	ECN LS07-0273
Appr			Product family		Spec ref
FCJ		SUB FEMALE DM HE501 serie		001-8637-1673	Rev. C
		with straight solder contact		CUSTOMER	sheet 2 of 4
		catalog no			

SCALE: 4

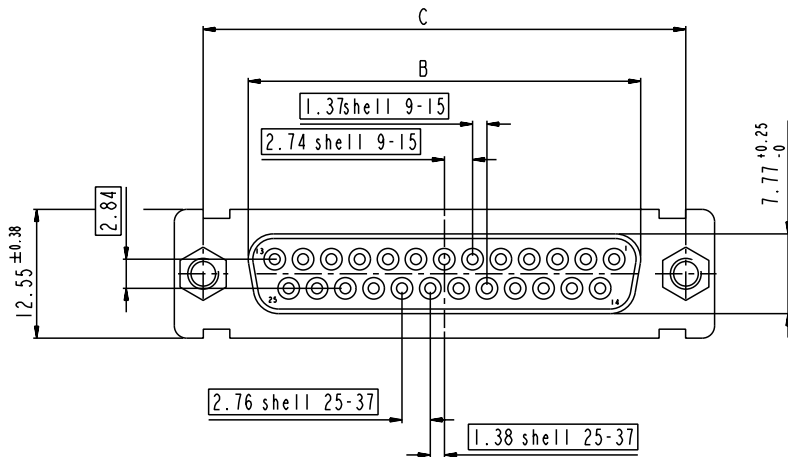
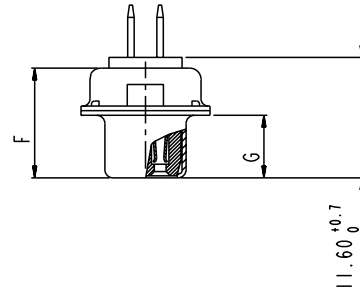
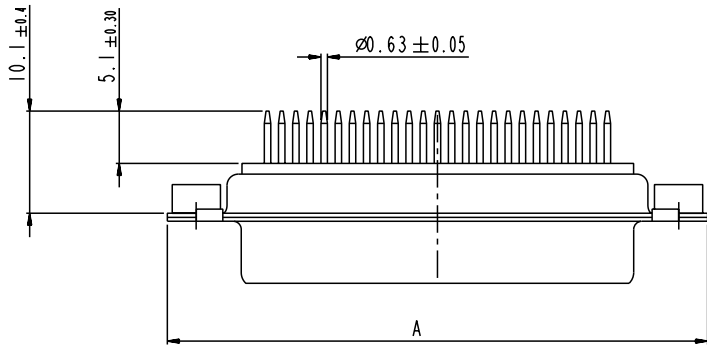
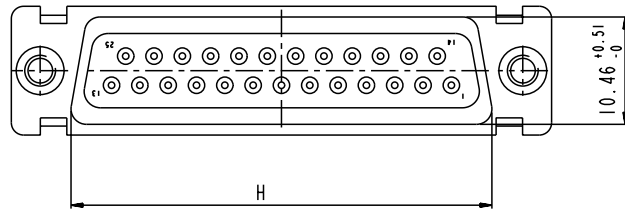
REV 7 - 2008-04-17

1 2 3 4 5 6 7 8

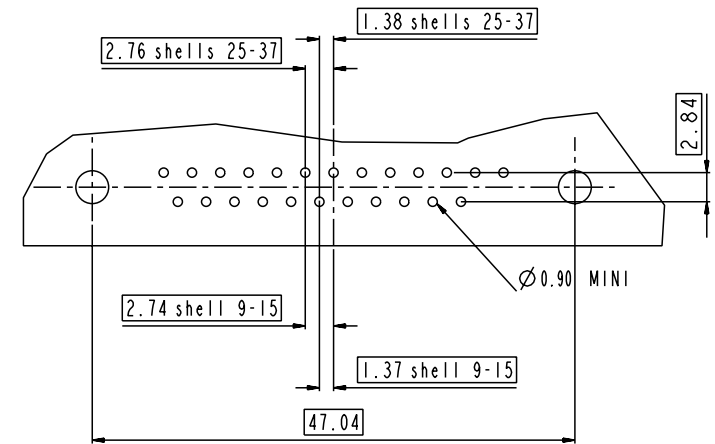
DIMENSIONS FOR SHELL E, A, B, C

Dimensions are in millimeters

Shell size	Number of contacts	A ^{+0.76} ₋₀	B ^{+0.25} ₋₀	C ± 0.12	F ^{+0.57} ₋₀	G ^{+0.25} ₋₀	H ^{+0.51} ₋₀
E	09	30.43	16.21	24.99	10.64	6.05	19.02
A	15	38.76	24.54	33.32	10.64	6.05	27.25
B	25	52.65	38.25	47.04	10.64	6.05	41.02
C	37	68.94	54.71	63.50	10.64	6.05	57.45



LAYOUT AND CONNECTOR DIMENSIONS

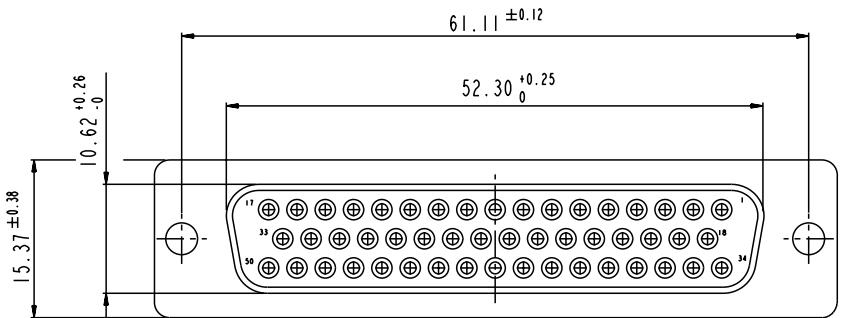
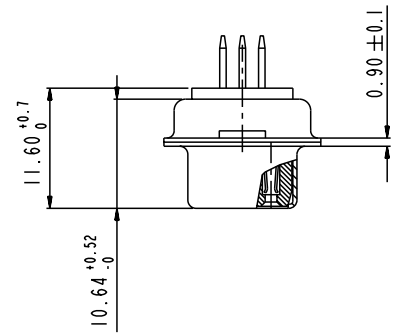
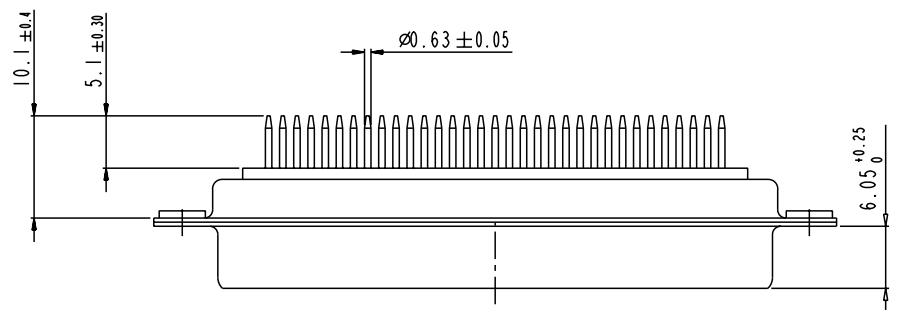
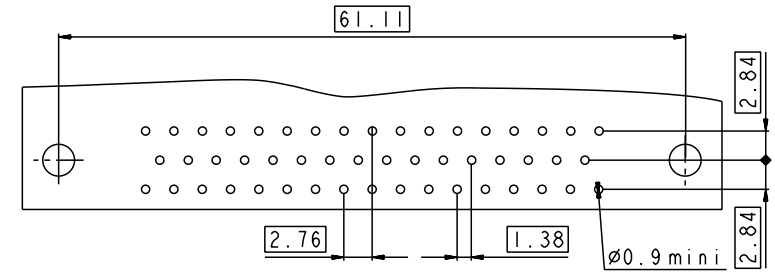
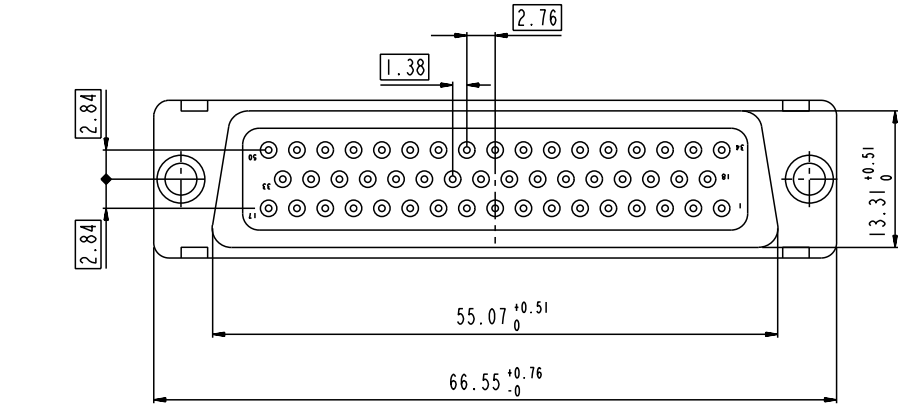


Copyright FCI. **FCI**

www.fciconnect.com		surface ISO 1302	tolerance std ISO 406 ISO 1101	projection mm
		TOLERANCES UNLESS OTHERWISE SPECIFIED		
Dr M PESSON	11/10/05	ANGULAR	0.X ±0.3	size A2
Eng 11/10/05	P LEGARE	LINEAR	0.XX ±0.1	Scale 2:1
Chr		Ø ±2°	0.XXX ±0.05	ECN LS07-0273
Appr		Product family		Spec ref
FCI		SUB FEMALE DM HES01 serie		Rev. C
		with straight solder contact		C01-8637-1673
		catalog no	CUSTOMER	sheet 3 of 4

DIMENSIONS FOR SHELL SIZE D (50 CONTACTS)

LAYOUT AND CONNECTOR DIMENSIONS



Copyright FCI. **FCI**

www.fciconnect.com		surface ISO 1302	tolerance std ISO 406 ISO 1101	projection mm
		TOLERANCES UNLESS OTHERWISE SPECIFIED		
Dr M PESSON	11/10/05	ANGULAR	0.X ±0.3	size A2 Scale 2:1
Eng 11/10/05	P LEGARE	LINEAR	0.XX ±0.1	ECN LS07-0273
Chr		0° ±2°	0.XXX ±0.05	Product family - Spec ref
SUB FEMALE DM HES01 serie with straight solder contact catalog no		ang no C01-8637-1673 CUSTOMER	Rev. C sheet 4 of 4	