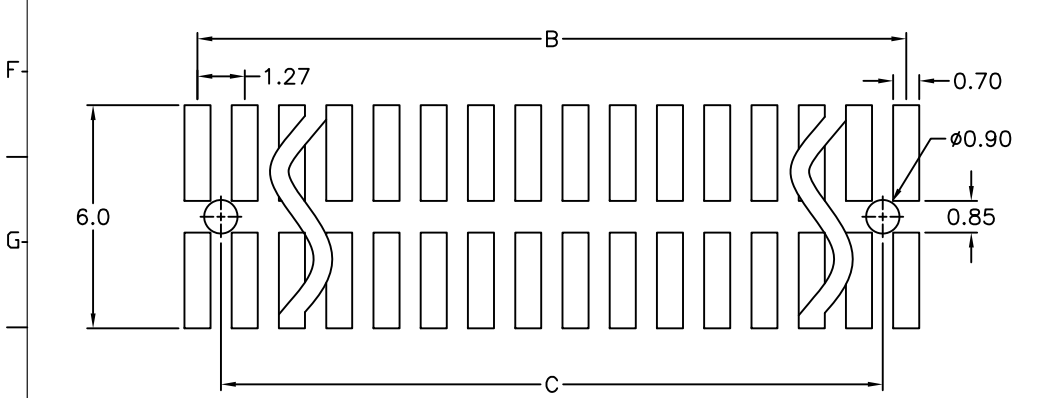
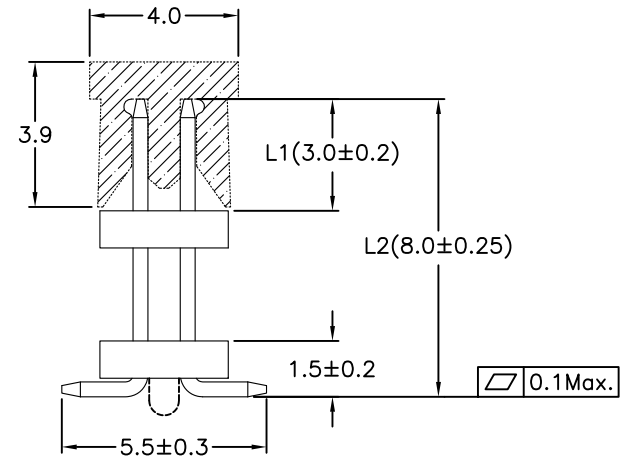
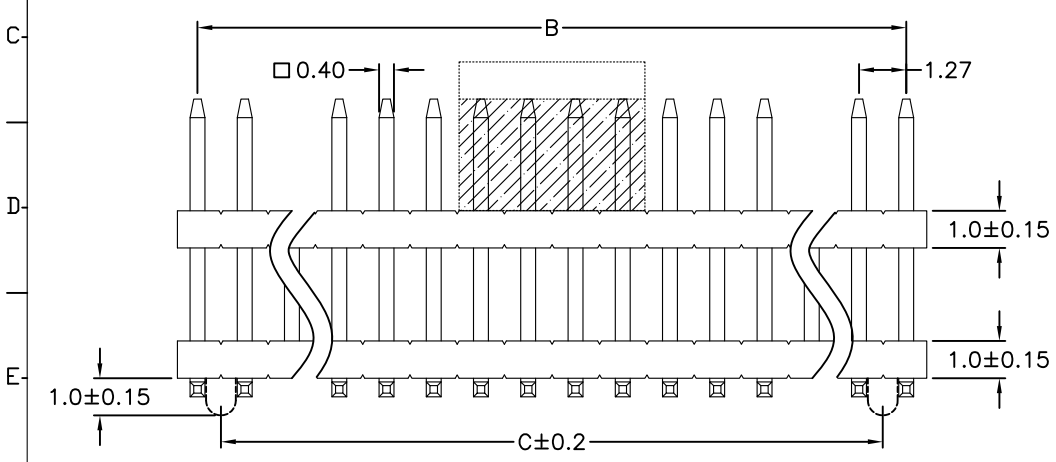
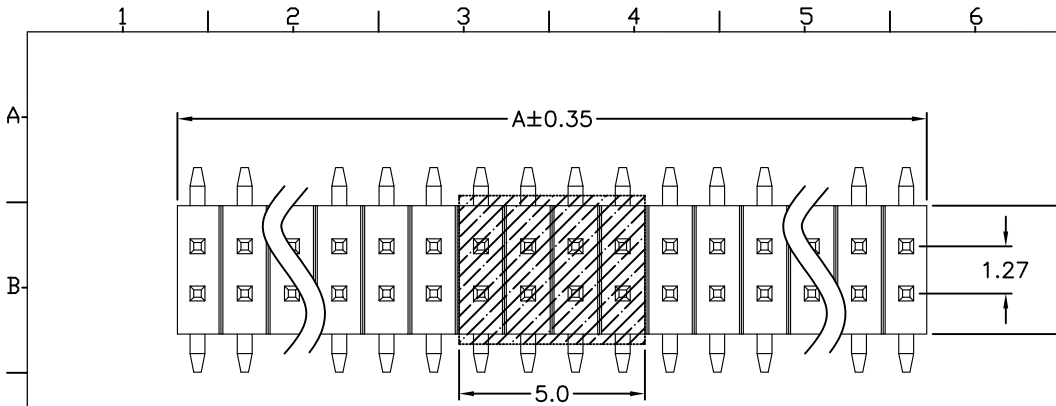


REV.	SPECIFICATION	ECN NO.	APPD.

Material:
Housing: High Temperature Plastic UL94V-0.
Contacts: Copper Alloy.
Electrical Characteristics:
Current Rating: 1 AMP.
Dielectric Withstanding Voltage: AC 500V for 1 minute.
Insulator Resistance: 5000MΩ min. at DC 500V.
Contact Resistance: 20mΩ max. at DC 100mA.
Operating Temperature: -40°C~+105°C.
***RoHS Compliant**



P.C. Board Layout

2215- 2 X xx G 00 D2 N -L1-L2 B - P
Series Double No. of G: Gold 00: G/F SMD N: W/O Post L1: Mating Length B: Bulk Package Blank:W/O Pad
Row Pin Per Plated Type P: With Post L2: Overall Length U: Tube Package P:Plastic Pad

Position	4 Thru 80
Dimension	
A	1.27XNo.of Positions/2-0.2
B	1.27XNo.of Positions/2-1.27
C	1.27XNo.of Positions/2-2.54

Tolerances	Dwg. No. 2215D01032	Title:	2215 Series Pin Header 1.27mmX1.27mm	OUPIN OUPIN ELECTRONIC(KUNSHAN) CO., LTD. P/N: 2215-2XxxG00D2N-L1-L2B-P
x = ±0.50	Projection	⊕ ◁		
.x = ±0.25	Unit mm	Scale 1:1		
.xx = ±0.15	Drawn By Vic Lyu11/03'15	⑤ 535		
		SHEET 1/1	Ver.No.	A5