

# HCMOS/ TTL COMPATIBLE, J LEADED, PLASTIC MOLDED SMD CRYSTAL CLOCK OSCILLATOR

ASM SERIES

Pb in high temperature solder  
(exempt per RoHS 2002/95/EC Annex (7)).

**RoHS**  
Compliant



14.0 x 8.95 x 4.7 mm

## FEATURES:

- Industry standard J-Leaded terminals.
- HCMOS and TTL compatible
- Extended temperature -40°C to 85°C option
- Plastic molded SMD
- Tristate Enable/ Disable.

## APPLICATIONS:

- Wide range of applications in dialing communication equipment, AV / OA equipment, Measuring equipment.

## STANDARD SPECIFICATIONS:

### PARAMETERS

ABRACON P/N	ASM Series
Frequency range:	1 ~ 125 MHz
Operating temperature:	0° C to + 70° C (see options)
Storage temperature:	- 55° C to + 125° C
Overall frequency stability:	± 100 ppm max. (see options)
Supply voltage (Vdd):	5.0Vdc ± 10%
Input current:	20 mA max. for F ≤ 20 MHz 40 mA max. for F ≤ 70 MHz 80 mA max. for F ≤ 125 MHz
Symmetry:	40/60 % max. at 1/2Vdd CMOS (see option)
Rise and fall time (Tr/Tf):	10 ns max.
Output load:	10 TTL or 50 pFmax.
Output voltage:	VOH = 0.9*Vdd min. VOL = 0.1*Vdd max.
Tristate function :	"1" (VIH ≥ 2.2 V) or open: Oscillation "0" (VIL < 0.8 V) : Hi Z
Stat-up time:	10ms max.
Aging:	±5ppm/year max.
Period jitter (1 sigma):	25ps max.

## OPTIONS & PART IDENTIFICATION:

ASM - Frequency - □ - □ - □ - □

Operating Temp. Range	
D	-10°C to +60°C
E	-20°C to +70°C
F	-30°C to +70°C
N	-30°C to +85°C
L	-40°C to +85°C

Overall Frequency Stability	
R	±25ppm
K	±30ppm
C	±50ppm

Packaging	
Blank	Bulk
T	Tape and Reel (1000pcs/reel)

Symmetry	
S	45/55%@1/2Vdd
S1	45/55%@1.4Vdd



# HCMOS/ TTL COMPATIBLE, J LEADED, PLASTIC MOLDED SMD CRYSTAL CLOCK OSCILLATOR

ASM SERIES

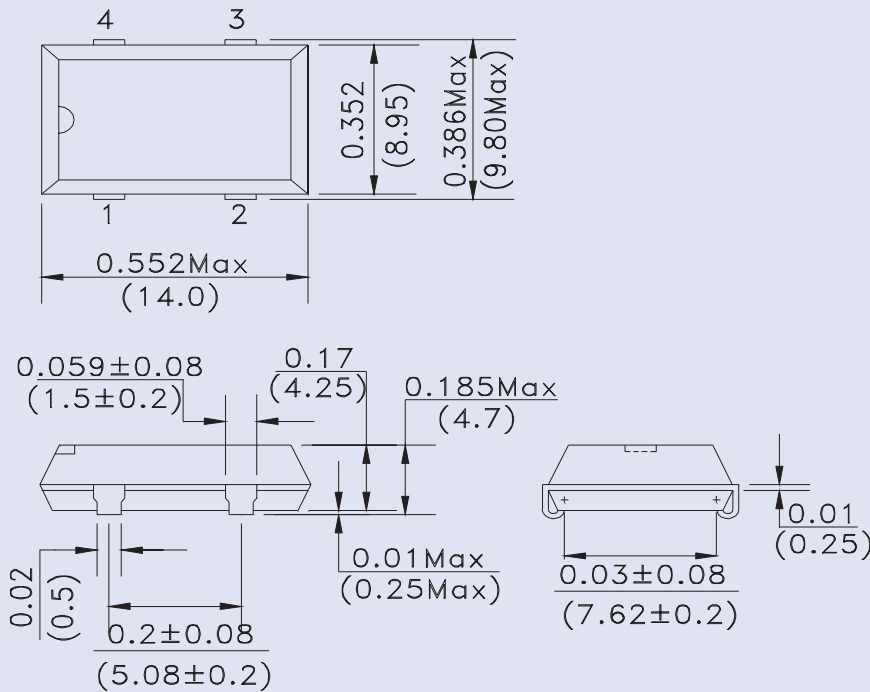
Pb in high temperature solder  
(exempt per RoHS 2002/95/EC Annex (7)).

**RoHS**  
Compliant



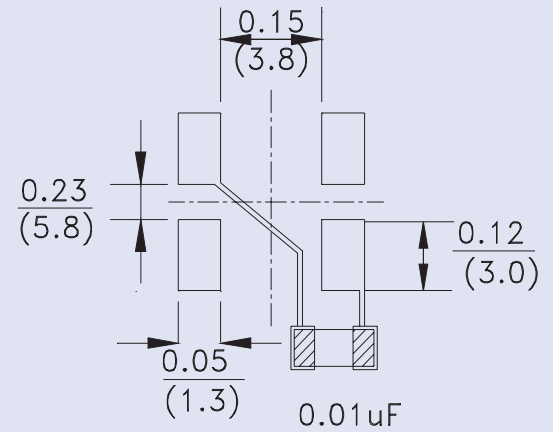
14.0 x 8.95 x 4.7 mm

## OUTLINE DRAWING:



Dimension : Inch (mm)

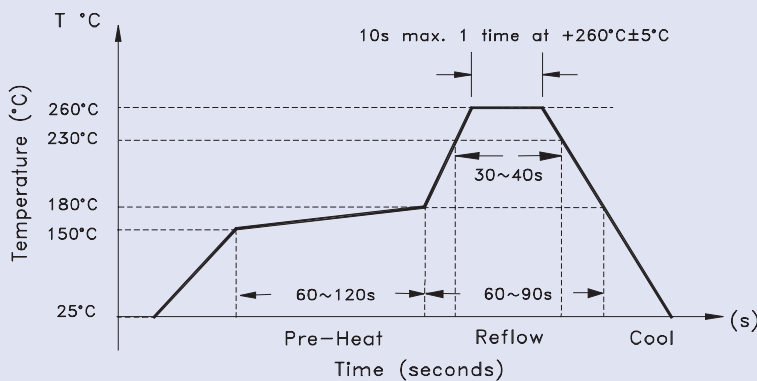
## Recommended land pattern



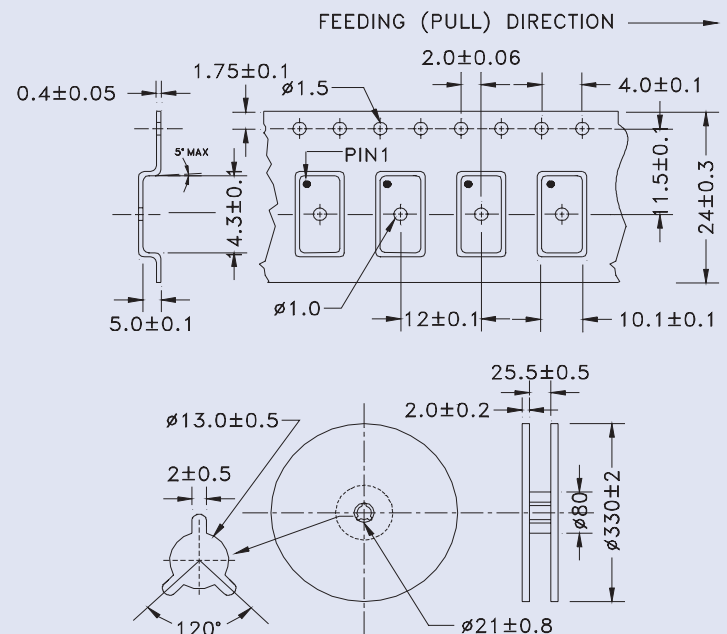
PIN	FUNCTION
1	Tristate
2	GND/Case
3	Output
4	Vdd

Note: Recommend using an approximately 0.01uF bypass capacitor between pin 2 and 4.

## REFLOW PROFILE:



## PACKAGING:



Dimension : mm

ABRACON IS  
ISO 9001 / QS 9000  
CERTIFIED



Visit [www.abracon.com](http://www.abracon.com) for Terms & Conditions of Sale **Revised: 01.23.09**  
30332 Esperanza, Rancho Santa Margarita, California 92688  
tel 949-546-8000 | fax 949-546-8001 | [www.abracon.com](http://www.abracon.com)