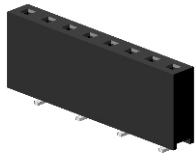
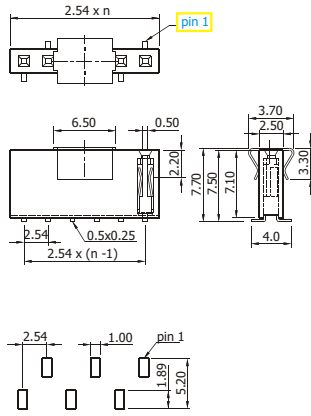
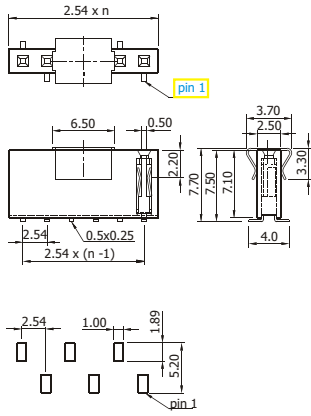
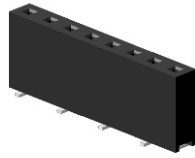


11S251S1



11S251S1A



available pole no.: 03 to 36
mates with male header: 0.635x0.635

available pole no.: 03 to 36
mates with male header: 0.635x0.635

technical data

- contact material : phosphor bronze
- insulator : thermoplastic
- flammability : UL 94V-0
- dielectric strength : 500V AC for 1 minute
- current rating : 3A
- insulation resistance : 1000 Meg Ohm min
- contact resistance : 20 milli Ohm max
- operating temperature : -40°C to +105°C
- soldering temperature : 260°C max / 10 sec

plating

- 00= flash gold
- 30= selective gold 0.75µm
- 50= tin
- 60= selective flash gold

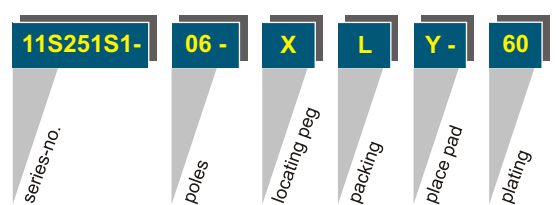
locating peg X=without

place pad Y=without, P=with

possible packing

L=loose, P=tray, T=tube, R=reel

order code



other dimensions / materials are available, please contact us

Shown photos may differ to final product. Currently valid drawings are only on www.g5n.sg In case of any doubt, please contact G5N