

2-1-2 Transistors for SMPS

■ Transistors for DC-DC Converter

Part No.	V _{CB0} (V)	V _{CE0} (V)	I _c (A)	P _c (W)	Package	Fig. No.
2SC5370	60	40	12	30	TO-220F	1
2SC4024	100	50	10	35	TO-220F	
2SC4131			15	60	TO-3PF	2
2SC4153	200	120	7	30	TO-220F	
2SC3834				50	TO-220	3
2SC3835				70	TO-3P	4

■ Transistors for AC100V Input

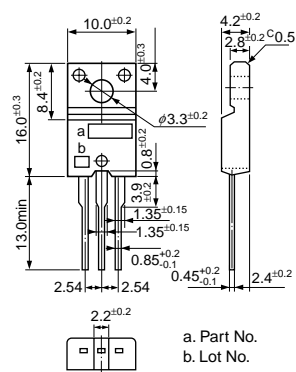
Part No.	V _{CB0} (V)	V _{CE0} (V)	I _c (A)	P _c (W)	Package	Fig. No.	
2SC5271	250	200	5	30	TO-220F	1	
2SC4073	500	400	5	30	TO-220F		
2SC4418				30	TO-220F		
2SC4662				30	TO-220F		
2SC3890			7	30	TO-220F		
2SC4130				30	TO-220F		
2SC3832			10	50	TO-220		3
2SC4296				75	TO-3PF		2
2SC4138				80	TO-3P		4
2SC4297			12	75	TO-3PF		2
2SC3833				100	TO-3P		4
2SC5071				100	TO-3P		
2SC4298			15	80	TO-3PF		2
2SC4139				120	TO-3P		4
2SC4434				120	TO-3P		
2SC4140			18	130	TO-3P	1	
2SC5130	400	5		30	TO-220F		
2SC4546		7		30	TO-220F		
2SC4907	600	500	6	30	TO-220F	3	
2SC3830				50	TO-220		
2SC3831			10	100	TO-3P	4	
2SC5249	600	3	35	TO-220F	1		

■ Transistors for AC200V Input

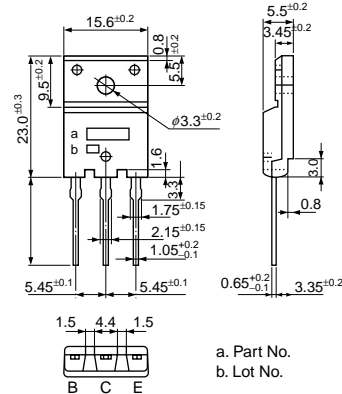
Part No.	V _{CB0} (V)	V _{CE0} (V)	I _c (A)	P _c (W)	Package	Fig. No.		
2SC4517	900	550	3	30	TO-220F	1		
2SC5239				50	TO-220	3		
2SC4518				35	TO-220F	1		
2SC5287			5	80	TO-3P	4		
2SC4557				80	TO-3PF	2		
2SC3927			10	120	TO-3P	4		
2SC5586				600	5	70	TO-3PF	2
2SC4706					14	130	TO-3P	4
2SC4908			900	800	3	35	TO-220F	1
2SC4304						35	TO-220F	
2SC4020						50	TO-220	3
2SC4445					70	60	TO-3PF	2
2SC4299						70	TO-3PF	
2SC3678						80	TO-3P	4
2SC4300					5	75	TO-3PF	2
2SC3679	100	TO-3P				4		
2SC4301	7	80			TO-3PF	2		
2SC3680		120			TO-3P	4		
2SC4517A	1000	550			3	30	TO-220F	1
2SC4518A					5	35	TO-220F	
2SC5002					7	80	TO-3PF	
2SC5124	1500	800			10	100	TO-3PF	2

External Dimensions

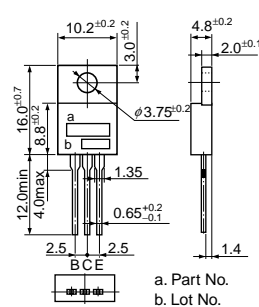
• No. 1 (TO-220F)



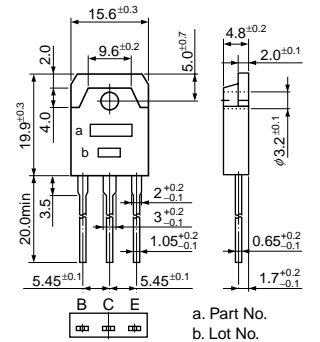
• No. 2 (TO-3PF)



• No. 3 (TO-220)



• No. 4 (TO-3P)



(unit: mm)