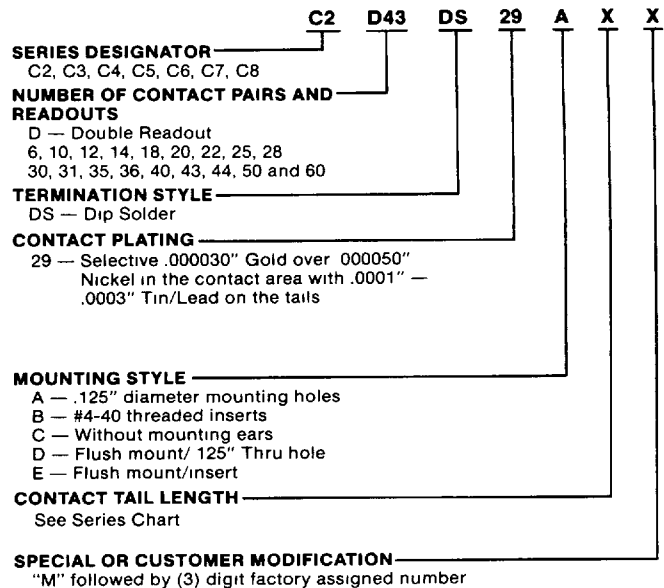


### PART NUMBER DESCRIPTION AND ORDERING INFORMATION



### DESIGN FEATURES

HOLMBERG® C2D, C3D, C4D, C5D, C6D, C7D and C8D Connector Series are double readout, configured with optional dip solder and are suitable for either hand or automatic termination in backplane or discrete applications. Individual connectors are functionally and dimensionally interchangeable with any industry standard PC connector regardless of manufacturer and conform to the applicable requirements of MIL-C-21097. All popular sizes from 6 to 60 positions are available.

### PROVEN CONTACT DESIGN

Highly reliable cantilever contacts are utilized to ensure optimum normal contact force over the full range of PC board thicknesses. A uniquely contoured mating surface on each contact further increases reliability by concentrating the normal force in the real contact area while maintaining circuit continuity under all stipulated test and operating conditions. Individual contacts are replaceable if accidentally damaged during handling or installation for most series.

### PROVEN INSULATOR DESIGN

Designed to meet or exceed UL flammability requirements, connector bodies are molded in UL 94V-0 thermoplastic material and are offered in several mounting styles. Solder standoffs are provided to facilitate cleaning and preclude solder wicking; all styles incorporate polarizing keyways between the contact and a generous lead-in chamber for ease of PC card entry.

### PROVEN PERFORMANCE

Utilizing only proven and the most cost-effective designs and materials, HOLMBERG® connectors guarantee performance which meets or exceeds industry standard requirements, at the same time, providing an exemplary level of operational reliability at attractive and competitive prices.

### DESIGN OPTIONS

A variety of plating, mounting, termination and identification options are offered to meet specific user requirements.

### Performance Characteristics

<b>Operating voltage:</b>	C2D 1500VDC (sea level) C3D 1500VDC (sea level) C4D 1000VDC (sea level) C5D 600VDC (sea level) C6D 1500VDC (sea level) C7D 1000VDC (sea level) C8D 600VDC (sea level)
<b>Current rating:</b>	3 Amps (5 Amps C2S)
<b>Operating temperature:</b>	-55° C to +125° C
<b>Contact resistance:</b>	10 milliohms
<b>Insulation resistance:</b>	5000 megohms minimum
<b>Contact retention:</b>	4 lbs minimum - Dip Solder
<b>Durability:</b>	Up to 500 insertions and withdrawals without degradation of performance, dependent upon contact plating thickness selected
<b>Insertion/withdrawal force:</b>	2 to 8 oz. average contact pair using .0620 steel test blade
<b>Temperature cycling:</b>	MIL-STD-202, method 107B
<b>Moisture resistance:</b>	Humidity per MIL-STD-202, method 103
<b>Vibration:</b>	MIL-STD-202, method 204A
<b>Thermal shock:</b>	MIL-STD-202, method 107

Note Specifications are subject to change without notice — consult factory for available modifications and verification of design details

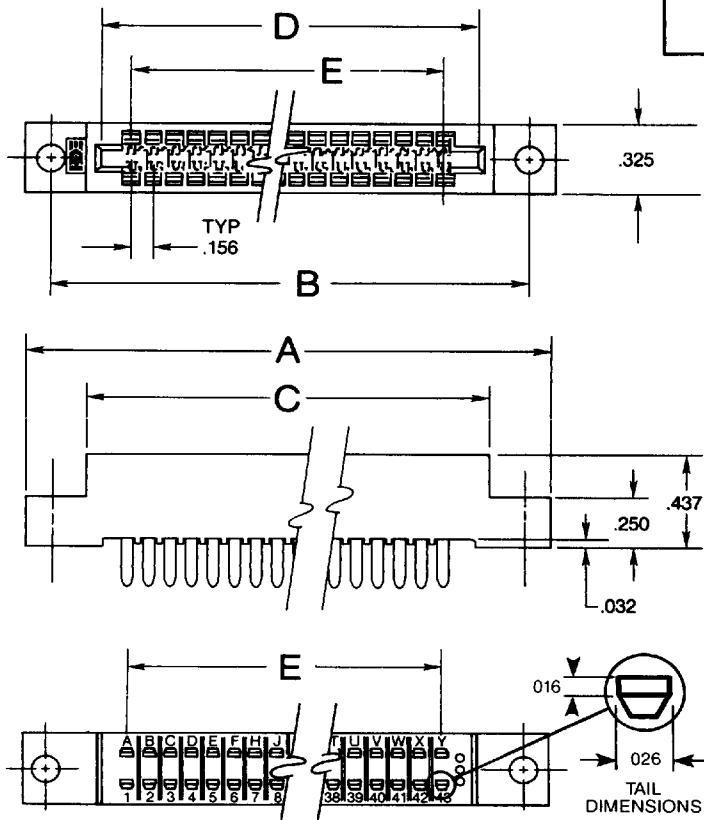
*All dimensions shown in inches.*

### Materials

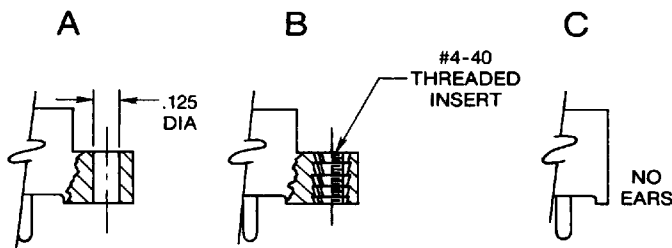
<b>Insulator body:</b>	Glass filled thermoplastic, UL rating 94V-0
<b>Spring contact:</b>	Phosphor Bronze alloy
<b>Polarizing Key:</b>	Nylon, color-white P/N 9801400
C2, C3, C4, C5 C6, C7, C8	UL Recognized and CSA Certified UL Recognized and CSA Certified

**C2-DS Series**

.156" center-to-center  
.145" row-to-row

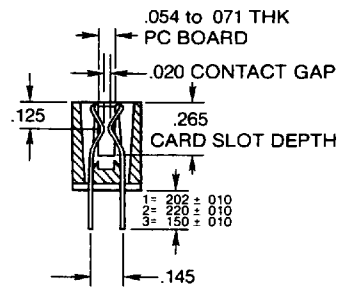
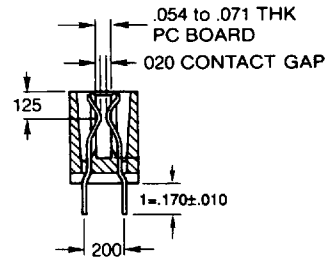


**MOUNTING STYLES**



**Special Modification Option**

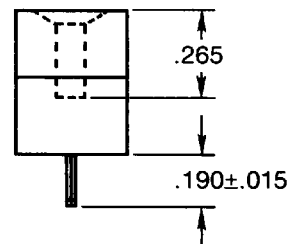
A .200" row-to-row spacing option with the assigned modification number, M396, is offered for the C2, C4 and C5 series.



No. of Contacts	DIMENSIONS				
	A ± .010	B ± .008	C ± .010	D ± .005	EBSC
06 6/12	1.781	1.531	1.218	1.078	780
10 10/20	2.405	2.155	1.843	1.702	1.404
12 12/24	2.717	2.467	2.154	2.014	1.716
15 15/30	3.185	2.935	2.622	2.482	2.184
18 18/36	3.653	3.403	3.090	2.950	2.652
22 22/44	4.277	4.027	3.714	3.574	3.276
25 25/50	4.745	4.495	4.182	4.042	3.744
28 28/56	5.213	4.963	4.650	4.510	4.212
36 36/72	6.461	6.211	5.898	5.758	5.460
43 43/86	7.553	7.303	6.990	6.850	6.552

**C2S, DS Single Read Out**

All dimensions are the same as the C2D series.

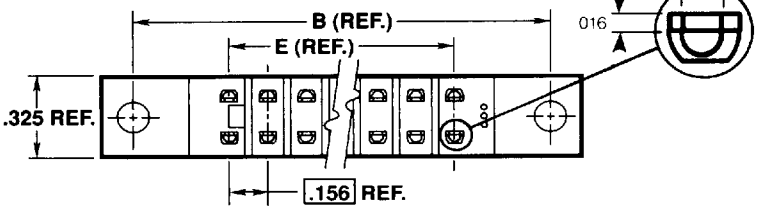
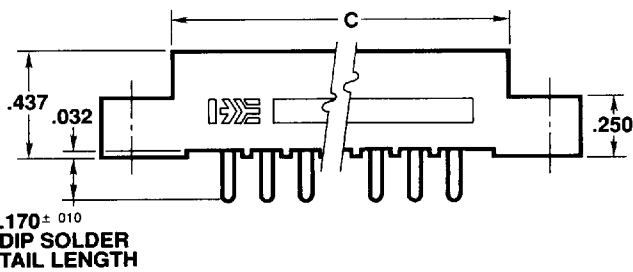
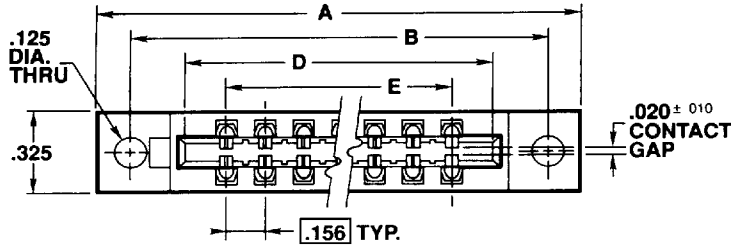


# C3-DS Series

.156" center-to-center  
.200" row-to-row

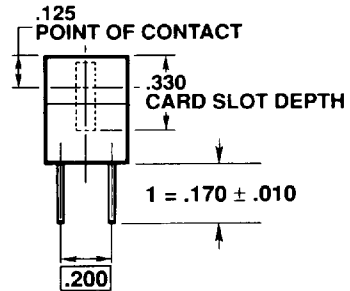
# Special Modification Option

A .145 row-to-row spacing option with the assigned modification number, M395 is offered for the C3 series.



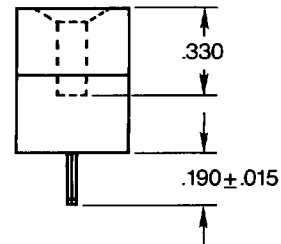
DIMENSIONS (Shown in Inches)

NO. OF CONTACTS		A ± 010	B ± 008	C ± 010	D ± 005	E BSC
6	6/12	1 781	1 53	1 218	1 100	780
10	10/20	2 405	2 15	1 842	1 724	1 404
12	12/24	2 717	2 46	2 154	2 036	1 716
15	15/30	3 185	2 93	2 622	2 504	2 184
18	18/36	3 653	3 40	3 090	2 972	2 652
22	22/44	4 277	4 03	3 714	3 596	3 276
24	24/48	4 589	4 33	4 026	3 908	3 588
25	25/50	4 745	4 49	4 182	4 064	3 744
28	28/56	5 213	4 96	4 650	4 532	4 212
36	36/72	6 461	6 21	5 898	5 780	5 460
43	43/86	7 553	7 30	6 990	6 872	6 552

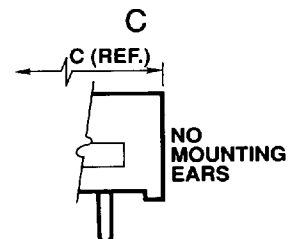
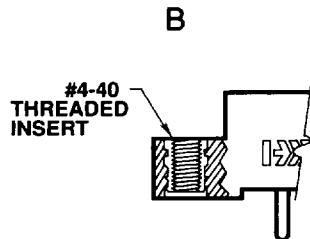
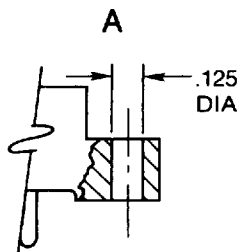


## C3S, DS Single Read Out

All dimensions are the same as the C3D series.

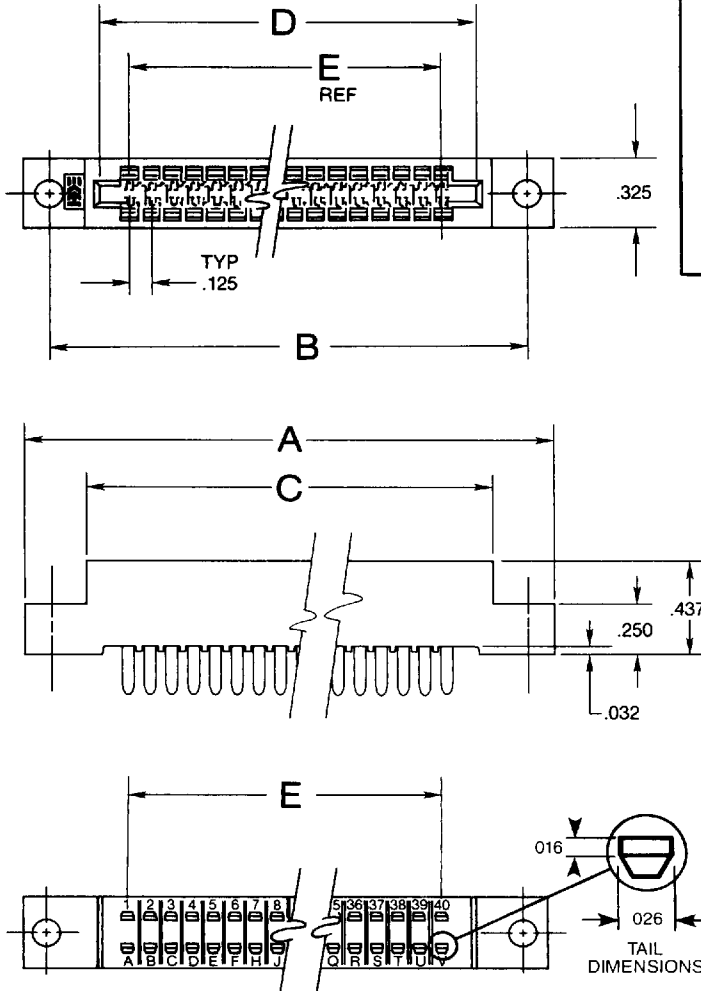


## MOUNTING STYLES

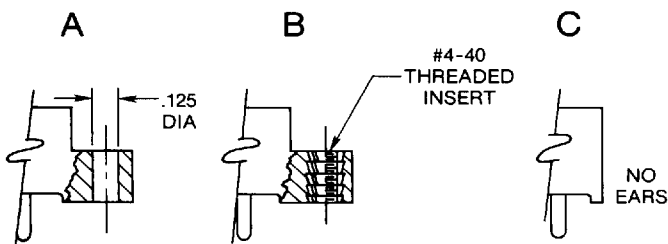


# C4-DS Series

.125" center-to-center  
.145" row-to-row

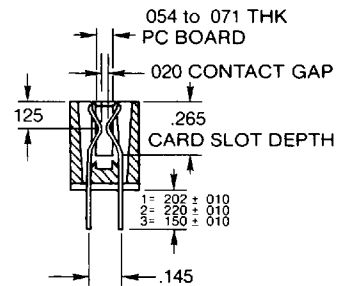
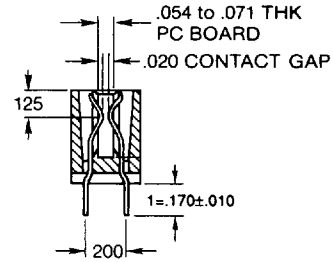


### MOUNTING STYLES



## Special Modification Option

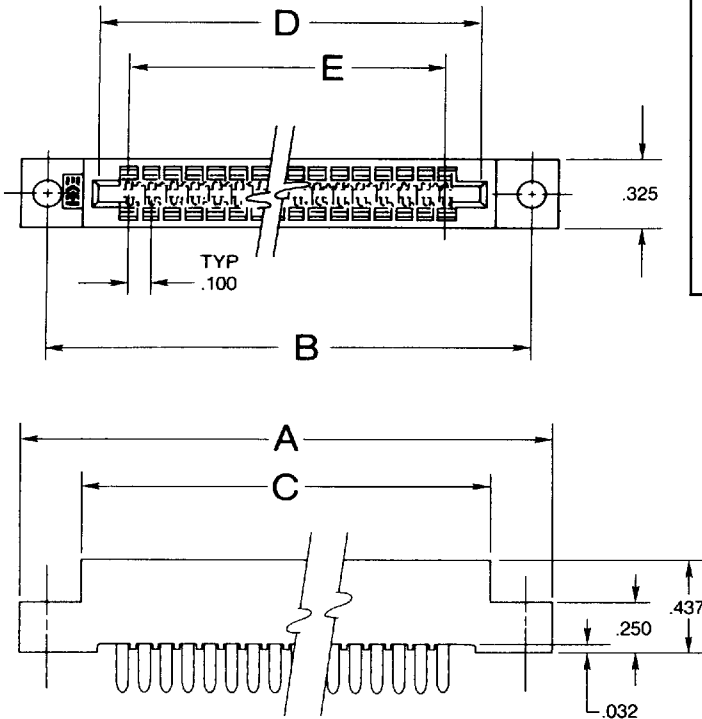
A .200" row-to-row spacing option with the assigned modification number, M396, is offered for the C2, C4 and C5 series.



No. of Contacts	DIMENSIONS					
	A ±.010	B ±.008	C ±.010	D ±.005	E BSC	
06	6/12	1.555	1.295	1.035	.875	.625
10	10/20	2.055	1.795	1.535	1.375	1.125
14	14/28	2.555	2.295	2.035	1.875	1.625
15	15/30	2.680	2.420	2.160	2.000	1.750
18	18/36	3.055	2.795	2.535	2.375	2.125
20	20/40	3.305	3.045	2.785	2.625	2.375
22	22/44	3.555	3.295	3.035	2.875	2.625
28	28/56	4.305	4.045	3.785	3.625	3.375
30	30/60	4.555	4.295	4.035	3.875	3.625
31	31/62	4.680	4.420	4.160	4.000	3.750
35	35/70	5.180	4.920	4.560	4.500	4.250
36	36/72	5.305	5.045	4.785	4.625	4.375
37	37/74	5.430	5.170	4.910	4.750	4.500
40	40/80	5.805	5.545	5.285	5.125	4.875
43	43/86	6.180	5.920	5.560	5.500	5.250
44	44/88	6.305	6.045	5.785	5.625	5.375
49	49/98	6.930	6.685	6.410	6.250	6.000
50	50/100	7.055	6.795	6.535	6.375	6.125

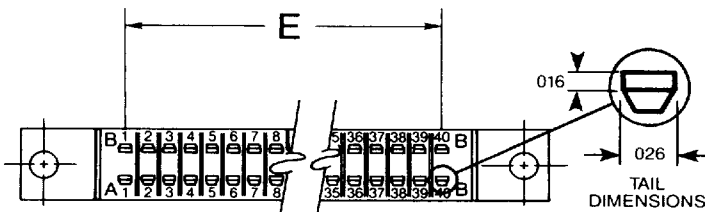
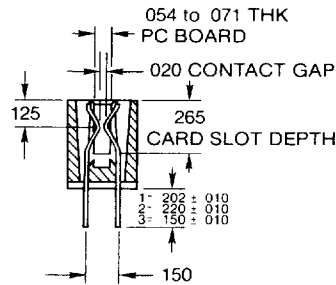
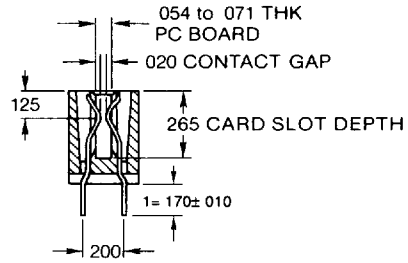
# C5-DS Series

.100" center-to-center  
.150" row-to-row

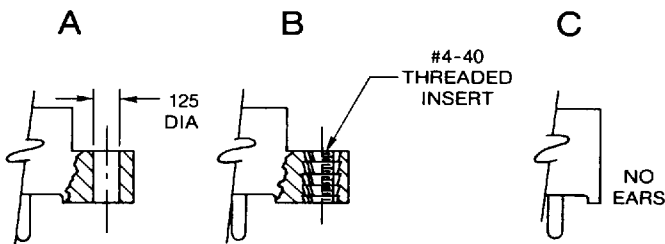


## Special Modification Option

A .200" row-to-row spacing option with the assigned modification number, M396, is offered for the C2, C4 and C5 series.



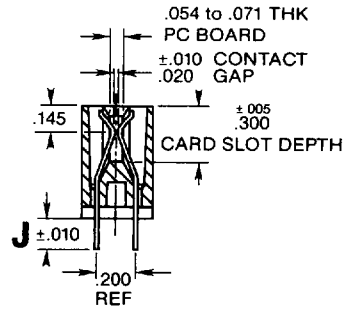
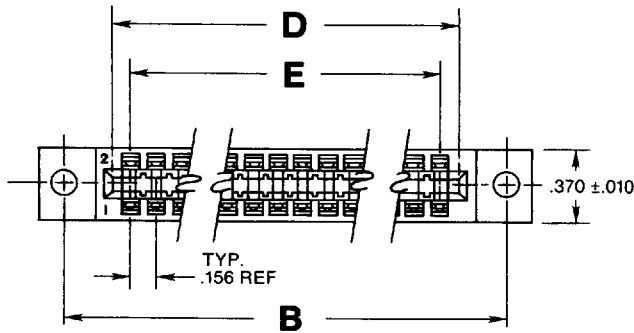
### MOUNTING STYLES



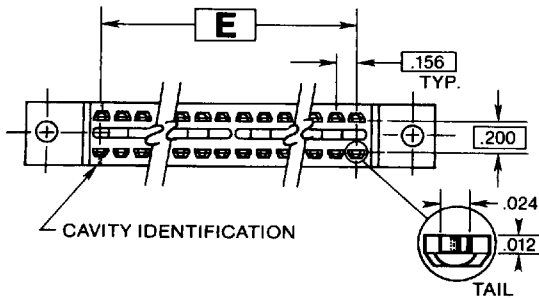
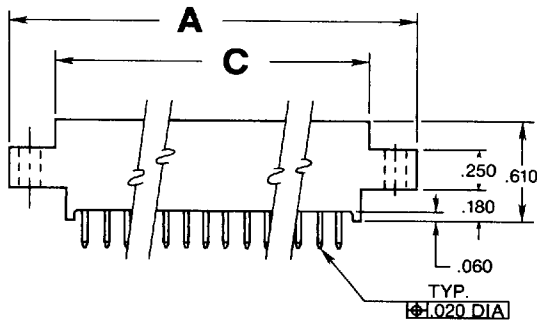
No. of Contacts	DIMENSIONS					
	A ± .010	B ± .008	C ± .010	D ± .005	E BSC	
06	6/12	1.475	1.175	.868	.707	.500
10	10/20	1.875	1.575	1.268	1.107	.900
12	12/24	2.075	1.775	1.468	1.307	1.100
15	15/30	2.375	2.075	1.768	1.607	1.400
18	18/36	2.675	2.375	2.068	1.907	1.700
20	20/40	2.875	2.575	2.268	2.107	1.900
22	22/44	3.075	2.775	2.468	2.307	2.100
25	25/50	3.375	3.075	2.768	2.607	2.400
28	28/56	3.675	3.375	3.068	2.907	2.700
30	30/60	3.875	3.575	3.268	3.107	2.900
31	31/62	3.975	3.675	3.368	3.207	3.000
35	35/70	4.375	4.075	3.768	3.607	3.400
36	36/72	4.475	4.175	3.868	3.707	3.500
40	40/80	4.875	4.575	4.268	4.107	3.900
43	43/86	5.175	4.875	4.568	4.407	4.200
44	44/88	5.275	4.975	4.668	4.507	4.300
50	50/100	5.875	5.575	5.268	5.107	4.900

# C6-DS Series

.156" center-to-center  
.200" row-to-row

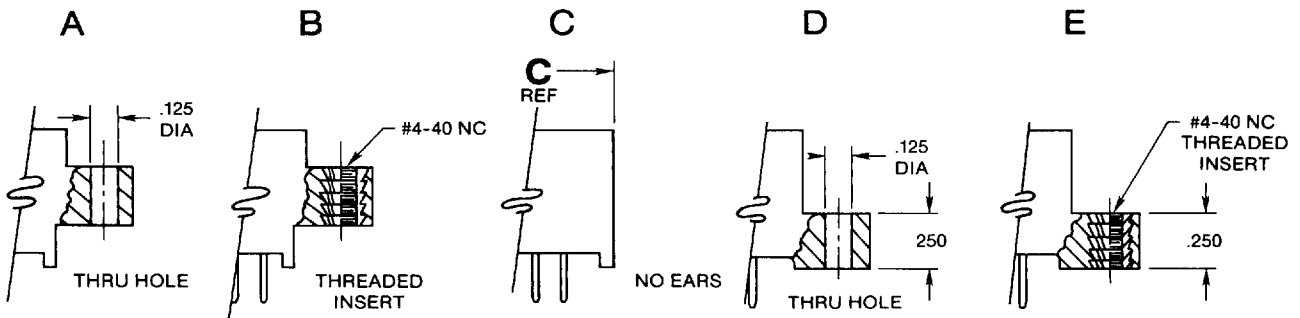


TAIL LENGTH	
SIZE	J
1	.130
3	.160
4	.220



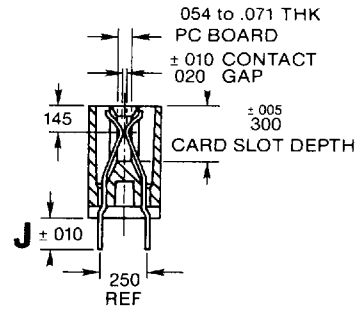
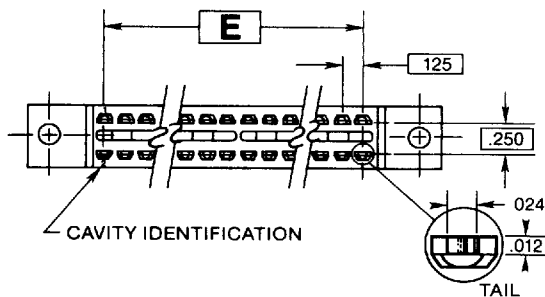
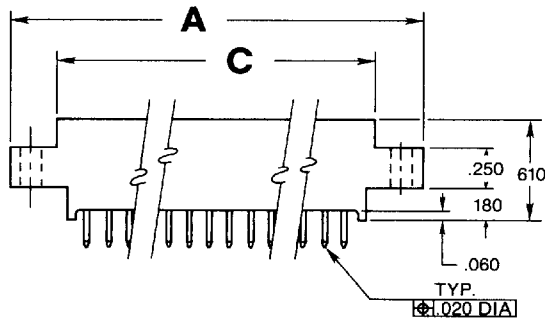
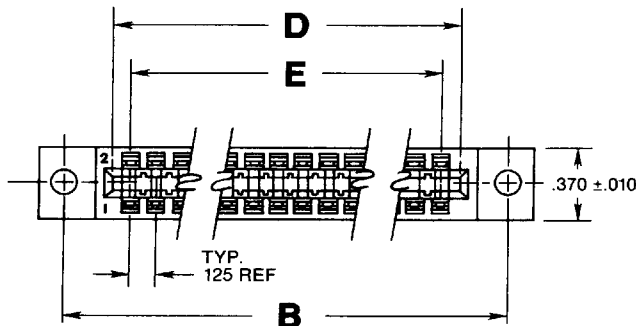
**	No. of Contacts	DIMENSIONS				
		A ±.010	B ±.008	C ±.010	D ±.005	E BSC
D06	6/12	1.784	1.534	1.221	1.100	.780
D10	10/20	2.408	2.158	1.845	1.724	1.404
D12	12/24	2.720	2.470	2.157	2.036	1.716
D15	15/30	3.188	2.938	2.625	2.504	2.184
D18	18/36	3.656	3.406	3.093	2.972	2.652
D20	20/40	3.968	3.718	3.405	3.284	2.964
D22	22/44	4.280	4.030	3.717	3.596	3.276
D25	25/50	4.748	4.498	4.185	4.064	3.744
D28	28/56	5.216	4.966	4.653	4.532	4.212
D30	30/60	5.528	5.278	4.965	4.844	4.524
D31	31/62	5.684	5.434	5.121	5.000	4.680
D35	35/70	6.308	6.058	5.745	5.624	5.304
D36	36/72	6.464	6.214	5.901	5.780	5.460
D40	40/80	7.088	6.838	6.525	6.404	6.085
D43	43/86	7.556	7.306	6.993	6.872	6.552

## MOUNTING STYLES



# C7-DS Series

.125" center-to-center  
.250" row-to-row

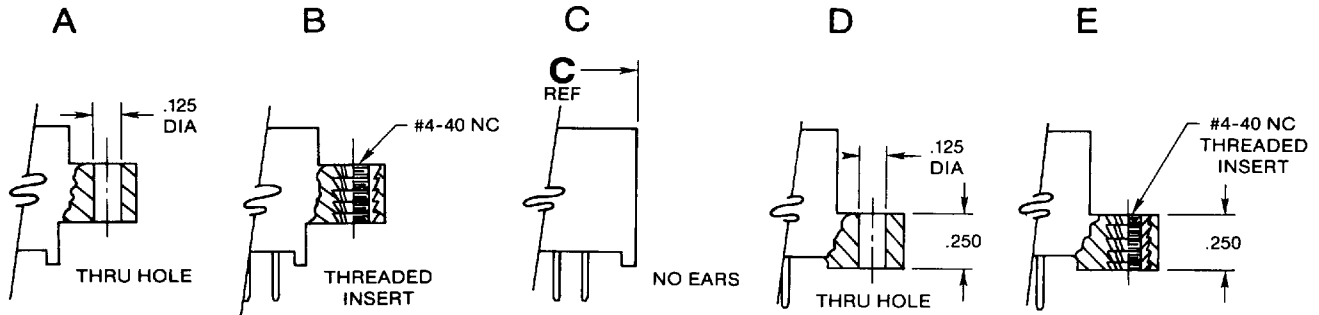


**TAIL LENGTH**

SIZE	J
1	.130
3	.160
4	.220

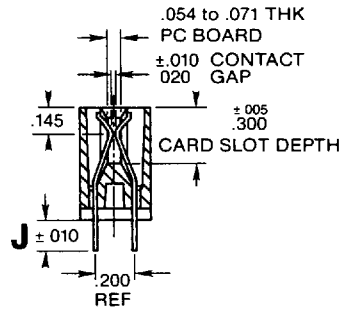
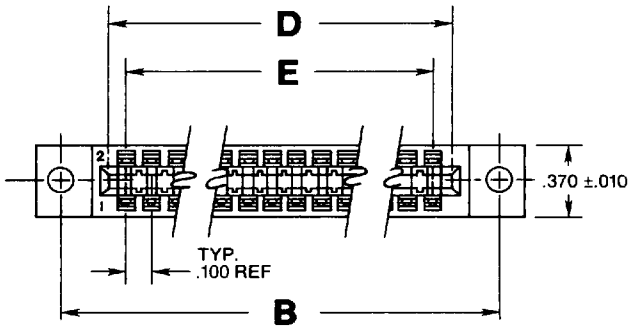
**	No. of Contacts	DIMENSIONS				
		A ±.010	B ±.008	C ±.010	D ±.005	E BSC
D06	6/12	1.555	1.295	1.035	.875	.625
D10	10/20	2.055	1.795	1.535	1.375	1.125
D12	12/24	2.305	2.045	1.785	1.625	1.375
D15	15/30	2.680	2.420	2.160	2.000	1.750
D18	18/36	3.055	2.795	2.535	2.375	2.125
D20	20/40	3.305	3.045	2.785	2.625	2.375
D22	22/44	3.555	3.295	3.035	2.875	2.625
D25	25/50	3.930	3.670	3.410	3.250	3.000
D28	28/56	4.305	4.045	3.785	3.625	3.375
D30	30/60	4.555	4.295	4.035	3.875	3.625
D31	31/62	4.680	4.420	4.160	4.000	3.750
D35	35/70	5.180	4.920	4.660	4.500	4.250
D36	36/72	5.305	5.045	4.785	4.625	4.375
D40	40/80	5.805	5.545	5.285	5.125	4.875
D43	43/86	6.180	5.920	5.660	5.500	5.250
D50	50/100	7.055	6.795	6.535	6.375	6.125

## MOUNTING STYLES

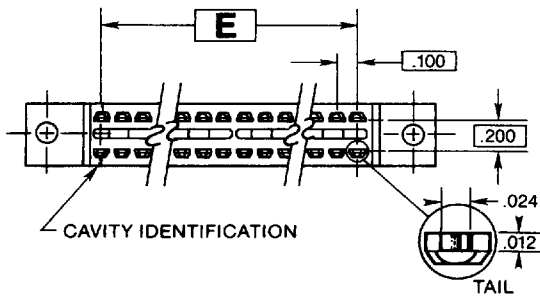
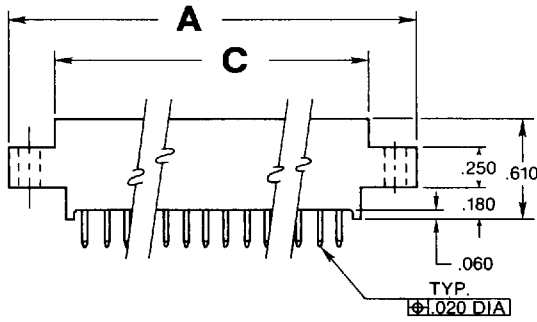


# C8-DS Series

.100" center-to-center  
.200" row-to-row

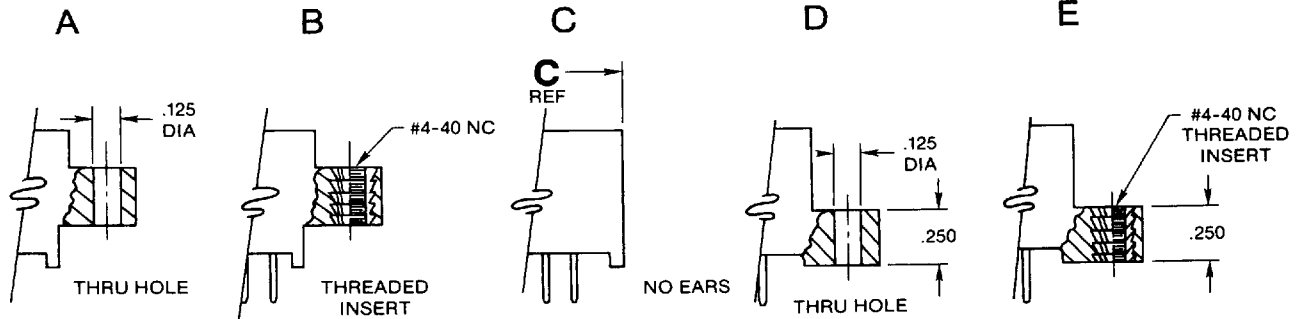


TAIL LENGTH	
SIZE	J
1	.130
3	.160
4	.220



**	No. of Contacts	DIMENSIONS				
		A ± .010	B ± .008	C ± .010	D ± .005	E BSC
D06	6/12	1.435	1.175	.860	.700	.500
D10	10/20	1.835	1.575	1.260	1.100	.900
D12	12/24	2.035	1.775	1.460	1.300	1.100
D15	15/30	2.335	2.075	1.760	1.600	1.400
D18	18/36	2.635	2.375	2.060	1.900	1.700
D20	20/40	2.835	2.575	2.260	2.100	1.900
D22	22/44	3.035	2.775	2.460	2.300	2.100
D25	25/50	3.335	3.075	2.760	2.600	2.400
D28	28/56	3.635	3.375	3.060	2.900	2.700
D30	30/60	3.835	3.575	3.260	3.100	2.900
D31	31/62	3.935	3.675	3.360	3.200	3.000
D35	35/70	4.335	4.075	3.760	3.600	3.400
D36	36/72	4.435	4.175	3.860	3.700	3.500
D40	40/80	4.835	4.575	4.260	4.100	3.900
D43	43/86	5.135	4.875	4.560	4.400	4.200
D50	50/100	5.835	5.575	5.260	5.100	4.900
D60	60/120	6.835	6.575	6.260	6.100	5.900

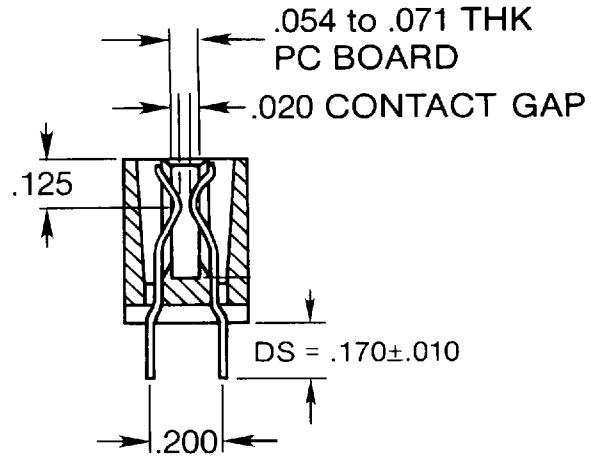
## MOUNTING STYLES





**C2, C4 and C5 Series**

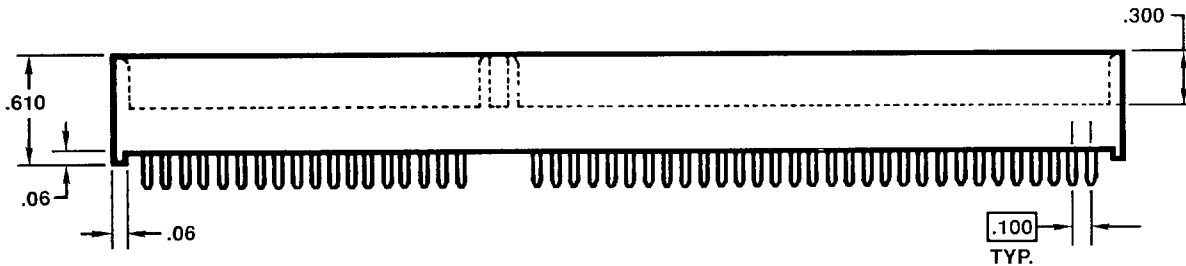
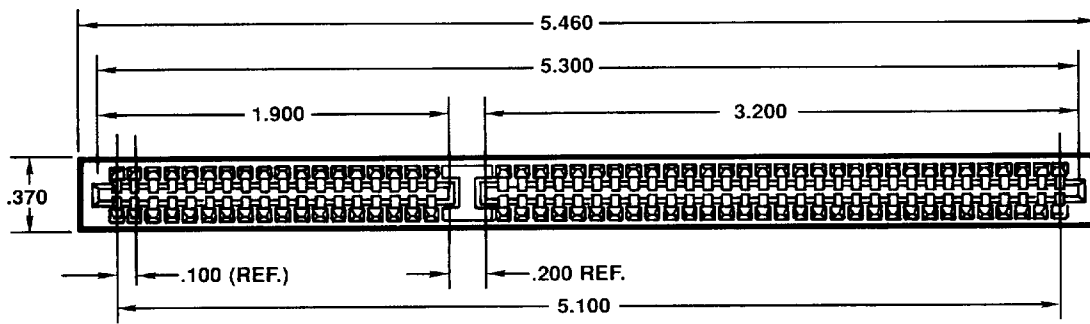
A .200" row-to-row spacing option with the assigned modification number, M396, is offered for the C2, C4 and C5 series.



**C8 Series**

**C8D52DS29C1M191** — Insulator with molded-in polarizing key with card guide chamber. The card slot length is 1.900 and 3.200. This mod number also represents retention tails.

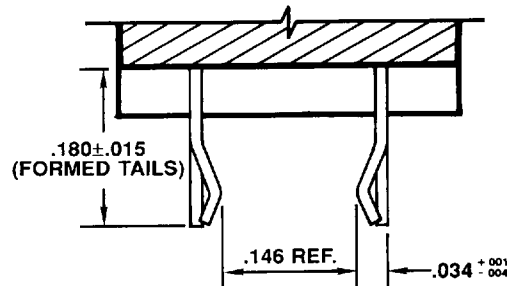
**C8D52DS29C1M195** — Insulator same as M191 but with no retention tails. Straight DS contacts only.



**C8D31DS29C1** — No retention tails.

**C8D31DS29C1M192** — With retention tails.

Bifurcated Contacts available in C6, C7, and C8 connectors. Consult factory for availability and part number.



RETENTION FORM DETAIL