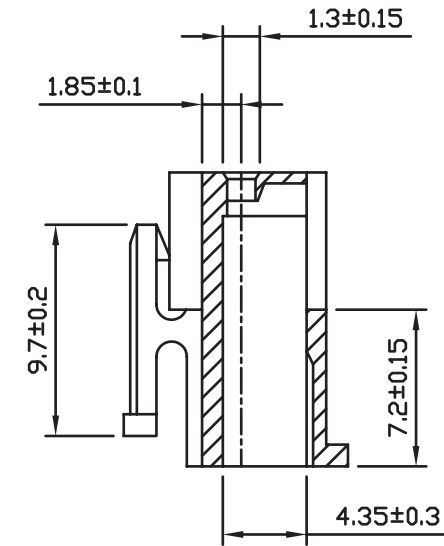
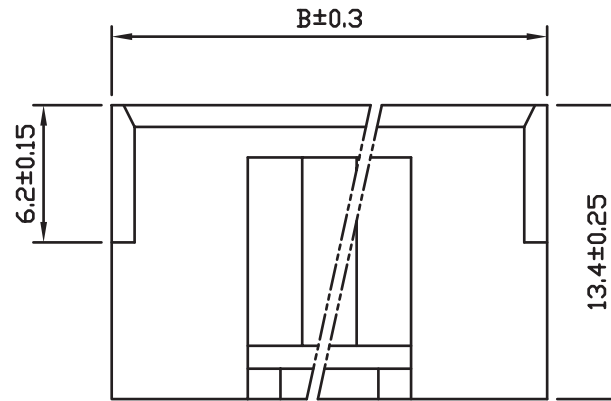
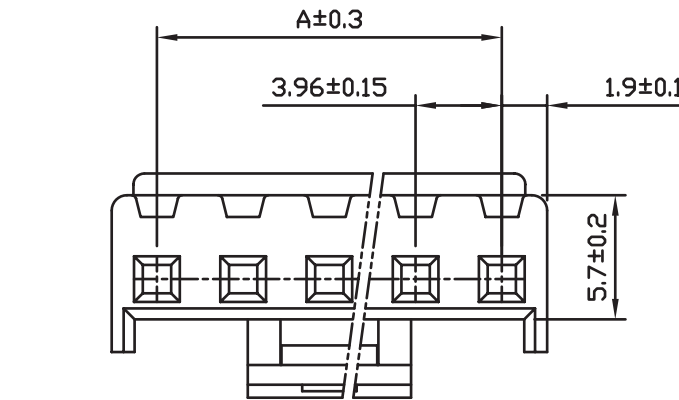


Poles	Dimension(mm)	
	A	B
2	3.96	7.90
3	7.92	11.90
4	11.88	15.90
5	15.84	19.90
6	19.80	23.90
7	23.75	27.90
8	27.72	31.90
9	31.68	35.90
10	35.64	39.90
11	39.60	43.90
12	43.56	47.90
13	47.52	51.90
14	51.48	55.90
15	55.44	59.90



ELECTRICAL:

CURRENT RATING: 7A AC/DC
 VOLTAGE RATING: 250V AC Max.
 CONTACT RESISTANCE: 20 milliohm Max.
 INSULATION RESISTANCE: 1000 Megaohm Min.
 DIELECTRIC WITHSTANDING VOLTAGE:
 1500V (rms) AC for 1 Minute
 OPERATING TEMPERATURE: -25°C to +85°C

MATERIAL:

CONTACT: Brass, Tin Plated
 BASE: Nylon 66 UL94V-0
 QTY: 1000 pcs./Bag

HOW TO ORDER:

W 0 1 3 - X X 1 1 - 0 0 0 - Z

NUMBER OF CONTACTS:

02 - 15

**RoHS
COMPLIANT**

Rev.		Drawn	Checked	Approved	Date
0	Issued	A.M.	S.M.	S.M.	11/18/02
A	Revised for RoHS Compliance	B.S.	S.M.	S.M.	08/04/08

SMP TECHNOLOGY, INC.

Housing, 3.96mm Pitch (for P/N:W013-0020-001-Z Contacts)

TOL. DEC. .X +/- 0.35 .XX +/- 0.25 .XXX +/- ANGLE +/- UNIT: mm

P/N: W013 - XX11 - 000 - Z