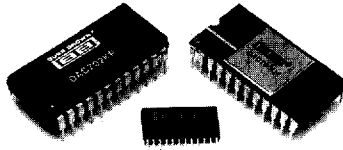


Or, Call Customer Service at 1-800-548-6132 (USA Only)

BURR-BROWN CORP



DAC700/702
DAC701/703

AVAILABLE IN DIE

Monolithic 16-Bit DIGITAL-TO-ANALOG CONVERTERS

FEATURES

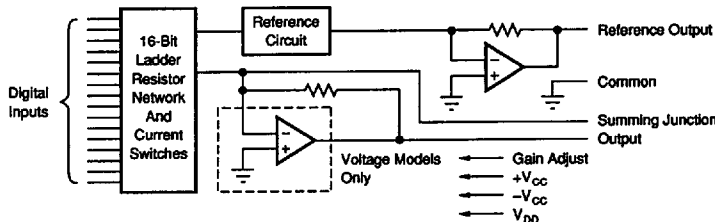
- MONOLITHIC CONSTRUCTION
- V_{OUT} AND I_{OUT} MODELS
- HIGH ACCURACY:
Linearity Error $\pm 0.0015\%$ of FSR max
Differential Linearity Error $\pm 0.003\%$ of FSR max
- MONOTONIC (at 15 bits) OVER FULL SPECIFICATION TEMPERATURE RANGE
- PIN-COMPATIBLE WITH DAC70, DAC71, DAC72
- LOW COST
- DUAL-IN-LINE PLASTIC AND HERMETIC CERAMIC AND SOIC
- /QM ENVIRONMENTAL SCREENING AVAILABLE
- BURN-IN PROGRAM AVAILABLE (-BI)

DESCRIPTION

This is another industry first from Burr-Brown—a complete 16-bit digital-to-analog converter that includes a precision buried-zener voltage reference and a low-noise, fast-settling output operational amplifier (voltage output models), all on one small monolithic chip. A combination of current-switch design techniques accomplishes not only 15-bit monotonicity over the entire specified temperature range, but also a maximum end-point linearity error of $\pm 0.0015\%$ of full-scale range. Total full-scale gain drift is limited to $\pm 10\text{ppm}/^\circ\text{C}$ maximum (LH and CH grades).

Digital inputs are complementary binary coded and are TTL-, LSTTL-, 54/74C- and 54/74HC-compatible over the entire temperature range. Outputs of 0 to +10V, $\pm 10\text{V}$, 0 to -2mA , and $\pm 1\text{mA}$ are available.

These D/A converters are packaged in hermetic 24-pin ceramic side-brazed or molded plastic. The DIP-packaged parts are pin-compatible with the voltage and current output DAC71 and DAC72 model families. The DAC700 and DAC702 are also pin-compatible with the DAC70 model family. In addition, the DAC703 is offered in a 24-pin SOIC package for surface mount applications.



International Airport Industrial Park • Mailing Address: PO Box 11400 • Tucson, AZ 85734 • Street Address: 6730 S. Tucson Blvd. • Tucson, AZ 85706
Tel: (602) 746-1111 • Twx: 910-952-1111 • Cable: BBRCORP • Telex: 065-6491 • FAX: (602) 889-1510 • Immediate Product Info: (800) 548-6132

For Immediate Assistance, Contact Your Local Salesperson

SPECIFICATIONS

BURR-BROWN CORP

ELECTRICAL

At +25°C and rated power supplies unless otherwise noted.

| MODEL | DAC702/703J, D | | | DAC700/701/702/703K | | | DAC700/701/702/703B, S | | | DAC700/701/702/703L, C | | | UNITS |
|---|----------------|------------|------------------|---------------------|----------|----------------|------------------------|---------|--------|------------------------|----------|----------------|-------------------------|
| PARAMETER | MIN | TYP | MAX | MIN | TYP | MAX | MIN | TYP | MAX | MIN | TYP | MAX | |
| INPUT | | | | | | | | | | | | | |
| DIGITAL INPUT | | | 16 | | | * | | | * | | | * | Bits |
| Resolution | | | | | | * | | | * | | | * | |
| Digital Inputs ⁽¹⁾ | | | | | | * | | | * | | | * | |
| V _{ih} | +2.4 | | +V _{cc} | * | | * | | | * | | | * | V |
| V _{il} | -1.0 | | +0.8 | * | | * | | | * | | | * | V |
| I _{ih} , V _i = +2.7V | | | +40 | * | | * | | | * | | | * | µA |
| I _{il} , V _i = +0.4V | | -0.35 | -0.5 | * | | * | | | * | | | * | mA |
| TRANSFER CHARACTERISTICS | | | | | | | | | | | | | |
| ACCURACY ⁽²⁾ | | | | | | | | | | | | | |
| Linearity Error ⁽⁴⁾ | | ±0.0015 | ±0.006 | | * | ±0.003 | | * | * | | ±0.00075 | ±0.0015 | % of FSR ⁽³⁾ |
| Differential Linearity Error ⁽⁴⁾ | | ±0.003 | ±0.012 | | * | ±0.006 | | * | * | | ±0.0015 | ±0.003 | % of FSR |
| Differential Linearity Error at Bipolar Zero (DAC702/703) ⁽⁴⁾ | | | | | ±0.003 | ±0.006 | | ±0.0015 | ±0.003 | | * | * | % of FSR |
| Gain Error ⁽⁴⁾ | | ±0.07 | ±0.30 | | * | ±0.15 | | ±0.05 | ±0.10 | | * | * | % |
| Zero Error ⁽⁴⁾ | | ±0.05 | ±0.10 | | * | * | | * | * | | * | * | % of FSR |
| Monotonicity Over Spec. Temp Range | 13 | | | 14 | | | * | | | 15 | | | Bits |
| DRIFT (over specification temperature range) | | | | | | | | | | | | | |
| Total Error Over Temperature Range (all models) ⁽²⁾ | | ±0.08 | | | * | ±0.15 | | ±0.05 | ±0.10 | | * | * | % of FSR |
| Total Full Scale Drift: DAC700/701 | | ±10 | | | * | ±30 | | ±8.5 | ±18 | | ±6 | ±13 | ppm of FSR/°C |
| DAC702/703 | | ±10 | | | * | ±25 | | ±7 | ±15 | | ±5 | ±10 | ppm of FSR/°C |
| Gain Drift (all models) | | ±10 | ±30 | | * | ±25 | | ±7 | ±15 | | ±5 | ±10 | ppm/°C |
| Zero Drift: DAC700/701 | | | | | ±2.5 | ±5 | | ±1.5 | ±3 | | * | * | ppm of FSR/°C |
| DAC702/703 | | ±5 | ±15 | | * | ±12 | | ±4 | ±10 | | ±2.5 | ±5 | ppm of FSR/°C |
| Differential Linearity Over Temp. ⁽⁴⁾ | | | ±0.012 | | | +0.009, -0.006 | | | * | | | +0.006, -0.003 | % of FSR |
| Linearity Error Over Temp. ⁽⁴⁾ | | | ±0.012 | | | ±0.006 | | | * | | | ±0.003 | % of FSR |
| SETTLING TIME (to ±0.003% of FSR)⁽³⁾ | | | | | | | | | | | | | |
| DAC701/703 (V _{OUT} Models) Full Scale Step, 2kΩ Load | | 4 | | | * | 8 | | * | * | | * | * | µs |
| 1LSB Step at Worst-Case Code ⁽³⁾ | | 2.5 | | | * | * | | * | * | | * | * | µs |
| Slew Rate | | 10 | | | * | * | | * | * | | * | * | V/µs |
| DAC700/702 (I _{OUT} Models) Full Scale Step (2mA), 10 to 100Ω Load | | 350 | | | * | 1000 | | * | * | | * | * | ns |
| 1kΩ Load | | 1 | | | * | 3 | | * | * | | * | * | µs |
| OUTPUT | | | | | | | | | | | | | |
| VOLTAGE OUTPUT MODELS | | | | | | | | | | | | | |
| DAC701 (CSB Code) | | | | | 0 to +10 | | | * | * | | * | * | V |
| DAC703 (COB Code) | | ±10 | | | * | * | | * | * | | * | * | V |
| Output Current | ±5 | | | * | * | * | | * | * | | * | * | mA |
| Output Impedance | | 0.15 | | | * | * | | * | * | | * | * | Ω |
| Short Circuit to Common Duration | | Indefinite | | | * | * | | * | * | | * | * | |
| CURRENT OUTPUT MODELS | | | | | | | | | | | | | |
| DAC700 (CSB Code) ⁽¹⁾⁽³⁾ | | | | | 0 to -2 | | | * | * | | * | * | mA |
| Output Impedance ⁽¹⁾⁽³⁾ | | | | | 4 | | | * | * | | * | * | kΩ |
| DAC702 (COB Code) ⁽¹⁾⁽³⁾ | | ±1 | | | * | * | | * | * | | * | * | mA |
| Output Impedance ⁽¹⁾⁽³⁾ | | 2.45 | | | * | * | | * | * | | * | * | kΩ |
| Compliance Voltage | | ±2.5 | | | * | * | | * | * | | * | * | V |

Or, Call Customer Service at 1-800-548-6132 (USA Only)

ELECTRICAL (CONT)

BURR-BROWN CORP

| MODEL | DAC702/703J, D | | | DAC700/701/702/703K | | | DAC700/701/702/703B, S | | | DAC700/701/702/703L, C | | | UNITS |
|--|----------------|------------|--------|---------------------|------|------|------------------------|------|--------|------------------------|-----|-----|---------------------------|
| | MIN | TYP | MAX | MIN | TYP | MAX | MIN | TYP | MAX | MIN | TYP | MAX | |
| REFERENCE VOLTAGE | | | | | | | | | | | | | |
| Voltage | | +6.3 | | +6.0 | +6.3 | +6.6 | +6.24 | +6.3 | +6.36 | * | * | * | V |
| Source Current Available for External Loads | | +2.5 | | +1.5 | * | * | * | * | * | * | * | * | mA |
| Temperature Coefficient | | ±10 | | | * | ±25 | | * | ±15 | | * | * | ppm/°C |
| Short Circuit to Common Duration | | Indefinite | | | * | * | | * | * | | * | * | |
| POWER SUPPLY REQUIREMENTS | | | | | | | | | | | | | |
| Voltage: +V _{cc} | 13.5 | 15 | 16.5 | * | * | * | * | * | * | * | * | * | V |
| -V _{cc} | 13.5 | 15 | 16.5 | * | * | * | * | * | * | * | * | * | V |
| V _{DD} | +4.5 | +5 | +16.5 | * | * | * | * | * | * | * | * | * | V |
| Current (No Load): | | | | | | | | | | | | | |
| DAC700/702 (I _{OUT} Models) | | | | | | | | | | | | | |
| +V _{cc} | | +10 | +25 | * | * | * | * | * | * | * | * | * | mA |
| -V _{cc} | | -13 | -25 | * | * | * | * | * | * | * | * | * | mA |
| V _{DD} | | +4 | +8 | * | * | * | * | * | * | * | * | * | mA |
| DAC701/703 (V _{OUT} Models) | | | | | | | | | | | | | |
| +V _{cc} | | +16 | +30 | * | * | * | * | * | * | * | * | * | mA |
| -V _{cc} | | -18 | -30 | * | * | * | * | * | * | * | * | * | mA |
| V _{DD} | | +4 | +8 | * | * | * | * | * | * | * | * | * | mA |
| Power Dissipation: (V _{DD} = +5.0V) ⁽¹¹⁾ | | | | | | | | | | | | | mW |
| DAC700/702 | | 365 | | * | * | 790 | * | * | 630 | * | * | * | mW |
| DAC701/703 | | 530 | | * | * | 940 | * | * | 780 | * | * | * | mW |
| Power Supply Rejection: | | | | | | | | | | | | | |
| +V _{cc} | | ±0.0015 | ±0.008 | * | * | * | * | * | ±0.003 | * | * | * | % of FSR/%V _{cc} |
| -V _{cc} | | ±0.0015 | ±0.008 | * | * | * | * | * | ±0.003 | * | * | * | % of FSR/%V _{cc} |
| V _{DD} | | ±0.0001 | ±0.001 | * | * | * | * | * | * | * | * | * | % of FSR/%V _{DD} |
| TEMPERATURE RANGE | | | | | | | | | | | | | |
| Specification: | | | | | | | | | | | | | |
| B, C Grades | | | | | | | -25 | | +85 | * | * | * | °C |
| S Grades | | | | | | | -55 | | +125 | * | * | * | °C |
| J, K, L Grades | 0 | | +70 | * | * | * | * | * | * | 0 | * | +70 | °C |
| Storage: Ceramic | | | | -60 | | +150 | * | * | * | * | * | * | °C |
| Plastic, SOIC | -60 | | +100 | * | * | * | * | * | * | * | * | * | °C |

* Specification same as model to the left.

NOTES: (1) Digital inputs are TTL, LSTTL, 54/74C, 54/74HC, and 54/74HTC compatible over the operating voltage range of V_{DD} = +5V to +15V and over the specified temperature range. The input switching threshold remains at the TTL threshold of 1.4V over the supply range of V_{DD} = +5V to +15V. As logic "0" and logic "1" inputs vary over 0V to +0.8V and +2.4V to +10V respectively, the change in the D/A converter output voltage will not exceed ±0.0015% of FSR for the LH and CH grades, ±0.003% of FSR for the BH grade and ±0.006% of FSR for the KG grade. (2) DAC700 and DAC702 (current-output models) are specified and tested with an external output operational amplifier connected using the internal feedback resistor in all parameters except settling time. (3) FSR means full-scale range and is 20V for the ±10V range (DAC703), 10V for the 0 to +10V range (DAC701). FSR is 2mA for the ±1mA range (DAC702) and the 0 to +2mA range (DAC700). (4) ±0.0015% of full-scale range is equivalent to 1LSB in 15-bit resolution. ±0.003% of full-scale range is equivalent to 1LSB in 14-bit resolution. ±0.006% of full-scale range is equivalent to 1LSB in 13-bit resolution. (5) Adjustable to zero with external trim potentiometer. Adjusting the gain potentiometer rotates the transfer function around the zero point. (6) Error at input code FFFF_n for DAC700 and DAC701, 7FFF_n for DAC702 and DAC703. (7) With gain and zero errors adjusted to zero at +25°C. (8) Maximum represents the 3σ limit. Not 100% tested for this parameter. (9) At the major carry, 7FFF_n to 8000_n, and 8000_n to 7FFF_n. (10) Tolerance on output impedance and output current is ±30%. (11) Power dissipation is an additional 40mW when V_{DD} is operated at +15V.

ABSOLUTE MAXIMUM RATINGS

| | | | |
|---|---------------------------------|-----------------------------------|---------------------------------|
| +V _{cc} to Common |0V, +18V | V _{OUT} (DAC701/703) |Indefinite Short to Common |
| -V _{cc} to Common |0V, -18V | Power Dissipation |1W |
| V _{DD} to Common |0V, +18V | Storage Temperature |-60°C to +150°C |
| Digital Data Inputs to Common |-1V, +18V | Lead Temperature (soldering, 10s) |300°C |
| Reference Out to Common |Indefinite Short to Common | | |
| External Voltage Applied to R _F (DAC700/702) |±18V | | |
| External Voltage Applied to D/A Output (DAC701/703) |-5V to +5V | | |

NOTE: Stresses above those listed under "Absolute Maximum Ratings" may cause permanent damage to the device. Exposure to absolute maximum conditions for extended periods may affect device reliability.

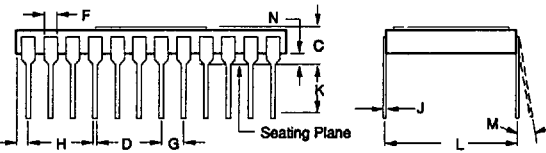
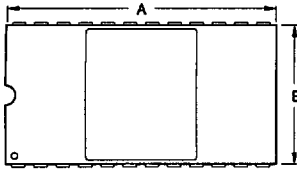
The information provided herein is believed to be reliable; however, BURR-BROWN assumes no responsibility for inaccuracies or omissions. BURR-BROWN assumes no responsibility for the use of this information, and all use of such information shall be entirely at the user's own risk. Prices and specifications are subject to change without notice. No patent rights or licenses to any of the circuits described herein are implied or granted to any third party. BURR-BROWN does not authorize or warrant any BURR-BROWN product for use in life support devices and/or systems.

For Immediate Assistance, Contact Your Local Salesperson

MECHANICAL

BURR-BROWN CORP

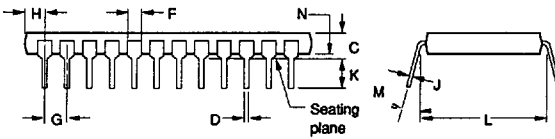
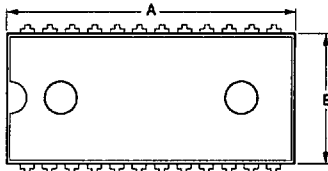
H Package—24-Pin Hermetic DIP



| DIM | INCHES | | MILLIMETERS | |
|-----|------------|-------|-------------|-------|
| | MIN | MAX | MIN | MAX |
| A | 1.185 | 1.215 | 30.10 | 30.86 |
| B | .600 | .620 | 15.24 | 15.75 |
| C | .125 | .171 | 3.18 | 4.34 |
| D | .015 | .021 | 0.38 | 0.53 |
| F | .035 | .060 | 0.89 | 1.52 |
| G | .100 BASIC | | 2.54 BASIC | |
| H | .030 | .070 | 0.76 | 1.78 |
| J | .008 | .012 | 0.20 | 0.30 |
| K | .120 | .240 | 3.05 | 6.10 |
| L | .600 BASIC | | 15.24 BASIC | |
| M | — | 10° | — | 10° |
| N | .025 | .060 | 0.64 | 1.52 |

NOTE: Leads in true position within 0.01" (0.25mm) R at MMC at seating plane.

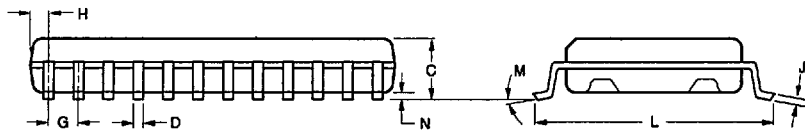
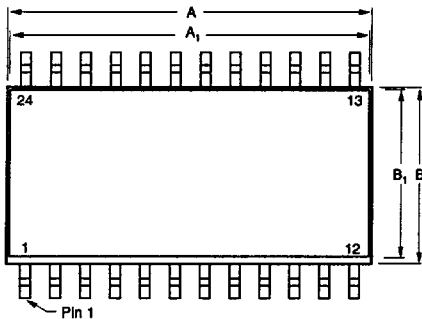
P Package—24-Pin Plastic DIP



| DIM | INCHES | | MILLIMETERS | |
|-----|------------|-------|-------------|-------|
| | MIN | MAX | MIN | MAX |
| A | 1.233 | 1.283 | 31.32 | 32.59 |
| B | .538 | .575 | 13.67 | 14.61 |
| C | .169 | .224 | 4.29 | 5.70 |
| D | .015 | .023 | 0.38 | 0.58 |
| F | .043 | .062 | 1.09 | 1.57 |
| G | .100 BASIC | | 2.54 BASIC | |
| H | .030 | .090 | 0.76 | 2.29 |
| J | .008 | .015 | 0.20 | 0.38 |
| K | .100 | .132 | 2.54 | 3.35 |
| L | .600 BASIC | | 15.24 BASIC | |
| M | 0° | 10° | 0° | 10° |
| N | .018 | .022 | 0.46 | 0.56 |

NOTE: Leads in true position within 0.01" (0.25mm) R at MMC at seating plane.

U Package (DAC703 Only) — 24-Pin SOIC



| DIM | INCHES | | MILLIMETERS | |
|----------------|------------|------|-------------|-------|
| | MIN | MAX | MIN | MAX |
| A | .602 | .618 | 15.29 | 15.70 |
| A ₁ | .595 | .618 | 15.11 | 15.70 |
| B | .286 | .302 | 7.26 | 7.67 |
| B ₁ | .270 | .285 | 6.86 | 7.24 |
| C | .093 | .108 | 2.36 | 2.74 |
| D | .015 | .019 | 0.38 | 0.48 |
| G | .050 BASIC | | 1.27 BASIC | |
| H | .026 | .034 | 0.66 | 0.86 |
| J | .006 | .012 | 0.20 | 0.30 |
| L | .390 | .422 | 9.91 | 10.72 |
| M | 0° | 10° | 0° | 10° |
| N | .000 | .012 | 0.00 | 0.30 |

NOTE: Leads in true position within 0.01" (0.25mm) R at MMC at seating plane. Pin numbers shown for reference only. Numbers may not be marked on package.

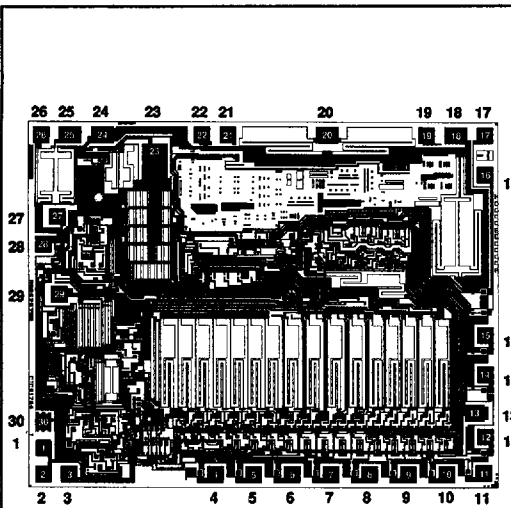
Or, Call Customer Service at 1-800-548-6132 (USA Only)

DICE INFORMATION

BURR-BROWN CORP

6.1
DAC700/01/02/03

INSTRUMENTATION D/A CONVERTERS



DAC702D DIE TOPOGRAPHY

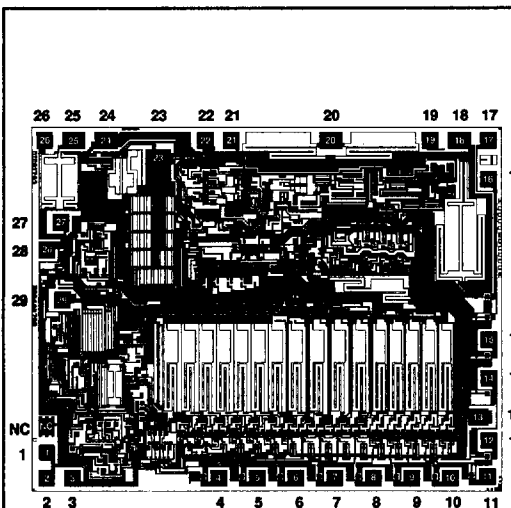
| PAD | FUNCTION | PAD | FUNCTION |
|-----|-------------------|-----|--------------------------------|
| 1 | Bit 1 (MSB) Input | 16 | Bit 15 Input |
| 2 | Bit 2 Input | 17 | Bit 16 Input |
| 3 | Bit 3 Input | 18 | $R_{FB} -10k\Omega$ |
| 4 | Bit 4 Input | 19 | No Connection |
| 5 | Bit 5 Input | 20 | $R_{FB} -10k\Omega$ |
| 6 | Bit 6 Input | 21 | +5V Supply |
| 7 | Bit 7 Input | 22 | Digital Ground |
| 8 | Bit 8 Input | 23 | Analog Ground |
| 9 | Bit 9 Input | 24 | Current Output |
| 10 | Bit 10 Input | 25 | Bipolar Offset |
| 11 | Bit 11 Input | 26 | Gain Adjust |
| 12 | Bit 12 Input | 27 | +15V Supply |
| 13 | -15V Supply | 28 | Reference Output |
| 14 | Bit 13 Input | 29 | -15V Supply |
| 15 | Bit 14 Input | 30 | Zener Test Point Do Not Use |

Substrate Bias: $-V_{CC}$

MECHANICAL INFORMATION

| | MILS (0.001") | MILLIMETERS |
|---------------|---------------|-------------|
| Die Size | 153 x 120 | 3.89 x 3.05 |
| Die Thickness | 20 Mils | 0.5 |
| Min. Pad Size | 4 x 4 | 0.1 x 0.1 |
| Metalization | Aluminum | |

See "DICE PRODUCTS" Section 17 in Data Book Supplement Volume 33c, or contact Burr-Brown for current information.



DAC703D DIE TOPOGRAPHY

| PAD | FUNCTION | PAD | FUNCTION |
|-----|-------------------|-----|--------------------------------|
| 1 | Bit 1 (MSB) Input | 16 | Bit 15 Input |
| 2 | Bit 2 Input | 17 | Bit 16 Input |
| 3 | Bit 3 Input | 18 | $R_{FB} -10k\Omega$ |
| 4 | Bit 4 Input | 19 | Voltage Output |
| 5 | Bit 5 Input | 20 | $R_{FB} -10k\Omega$ |
| 6 | Bit 6 Input | 21 | +5V Supply |
| 7 | Bit 7 Input | 22 | Digital Ground |
| 8 | Bit 8 Input | 23 | Analog Ground |
| 9 | Bit 9 Input | 24 | Current Output |
| 10 | Bit 10 Input | 25 | Bipolar Offset |
| 11 | Bit 11 Input | 26 | Gain Adjust |
| 12 | Bit 12 Input | 27 | +15V Supply |
| 13 | -15V Supply | 28 | Reference Output |
| 14 | Bit 13 Input | 29 | -15V Supply |
| 15 | Bit 14 Input | 30 | Zener Test Point Do Not Use |

Substrate Bias: $-V_{CC}$

MECHANICAL INFORMATION

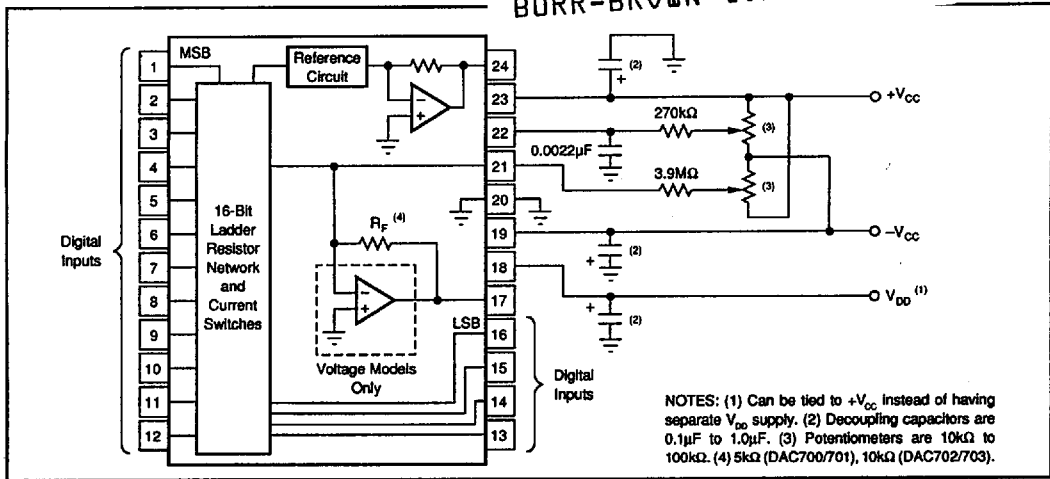
| | MILS (0.001") | MILLIMETERS |
|---------------|---------------|-------------|
| Die Size | 153 x 120 | 3.89 x 3.05 |
| Die Thickness | 20 Mils | 0.5 |
| Min. Pad Size | 4 x 4 | 0.1 x 0.1 |
| Metalization | Aluminum | |

See "DICE PRODUCTS" Section 17 in Data Book Supplement Volume 33c, or contact Burr-Brown for current information.

For Immediate Assistance, Contact Your Local Salesperson

CONNECTION DIAGRAMS

BURR-BROWN CORP



PIN ASSIGNMENTS

| PIN # | ALL PACKAGES | |
|-------|------------------------|--------------------------------|
| | DAC700/702 | DAC701/703 |
| 1 | Bit 1 (MSB) | Bit 1 (MSB) |
| 2 | Bit 2 | Bit 2 |
| 3 | Bit 3 | Bit 3 |
| 4 | Bit 4 | Bit 4 |
| 5 | Bit 5 | Bit 5 |
| 6 | Bit 6 | Bit 6 |
| 7 | Bit 7 | Bit 7 |
| 8 | Bit 8 | Bit 8 |
| 9 | Bit 9 | Bit 9 |
| 10 | Bit 10 | Bit 10 |
| 11 | Bit 11 | Bit 11 |
| 12 | Bit 12 | Bit 12 |
| 13 | Bit 13 | Bit 13 |
| 14 | Bit 14 | Bit 14 |
| 15 | Bit 15 | Bit 15 |
| 16 | Bit 16 (LSB) | Bit 16 (LSB) |
| 17 | $R_{FEEDBACK}$ | V_{OUT} |
| 18 | V_{DD} | V_{DD} |
| 19 | $-V_{CC}$ | $-V_{CC}$ |
| 20 | Common | Common |
| 21 | I_{OUT} | Summing Junction (Zero Adjust) |
| 22 | Gain Adjust | Gain Adjust |
| 23 | $+V_{CC}$ | $+V_{CC}$ |
| 24 | +6.3V Reference Output | +6.3V Reference Output |

| DIGITAL INPUT CODES | ANALOG OUTPUT | | |
|---------------------|---|---|---|
| | DAC700/701 Complementary Straight Binary (CSB) | DAC702/703 Complementary Offset Binary (COB) | DAC702/703 Complementary Two's Complement (CTC)* |
| 0000 _H | + Full Scale | + Full Scale | -1LSB |
| 7FFF _H | +1/2 Full Scale | Bipolar Zero | - Full Scale |
| 8000 _H | +1/2 Full Scale | -1LSB | + Full Scale |
| FFFF _H | -1LSB | - Full Scale | Bipolar Zero |
| | Zero | | |

* Invert the MSB of the COB code with an external inverter to obtain CTC code.

TABLE I. Digital Input Codes.

DISCUSSION OF SPECIFICATIONS

DIGITAL INPUT CODES

The DAC700/701/702/703 accept complementary digital input codes in either binary format (CSB, unipolar or COB, bipolar). The COB models DAC702/703 may be connected by the user for either complementary offset binary (COB) or complementary two's complement (CTC) codes (see Table I).

ACCURACY

Linearity

This specification describes one of the most important measures of performance of a D/A converter. Linearity error is the deviation of the analog output from a straight line drawn through the end points (all bits ON point and all bits OFF point).

Differential Linearity Error

Differential linearity error (DLE) of a D/A converter is the deviation from an ideal 1LSB change in the output from one adjacent output state to the next. A differential linearity error specification of $\pm 1/2$ LSB means that the output step sizes can be between 1/2LSB and 3/2LSB when the input changes from one adjacent input state to the next. A negative DLE specification of no more than -1LSB (-0.006% for 14-bit resolution) insures monotonicity.

Monotonicity

Monotonicity assures that the analog output will increase or remain the same for increasing input digital codes. The DAC700/701/702/703 are specified to be monotonic to 14 bits over the entire specification temperature range.

DRIFT

Gain Drift

Gain drift is a measure of the change in the full-scale range output over temperature expressed in parts per million per



Or, Call Customer Service at 1-800-548-6132 (USA Only)

ORDERING INFORMATION

BURR-BROWN CORP

| MODEL | PACKAGE | OUTPUT CONFIGURATION | TEMPERATURE RANGE | LINEARITY ERROR, MAX AT +25°C (% of FSR) | GAIN DRIFT MAX (ppm/°C) |
|--------------------------|--------------|----------------------|-------------------|--|-------------------------|
| DAC702D,703D | 25 Die/Pack | ±1mA, ±10V | 0°C to +70°C | ±0.006 | ±30 |
| DAC702JP, DAC703JP | Plastic DIP | ±1mA, ±10V | 0°C to +70°C | ±0.006 | ±30 |
| DAC702KP, DAC703KP | Plastic DIP | ±1mA, ±10V | 0°C to +70°C | ±0.003 | ±25 |
| DAC700KH, DAC701KH | Ceramic DIP | 0 to -2mA, 0 to +10V | 0°C to +70°C | ±0.003 | ±25 |
| DAC702KH, DAC703KH | Ceramic DIP | ±1mA, ±10V | 0°C to +70°C | ±0.003 | ±25 |
| DAC700BH, DAC701BH | Ceramic DIP | 0 to -2mA, 0 to +10V | -25°C to +85°C | ±0.003 | ±15 |
| DAC702BH, DAC703BH | Ceramic DIP | ±1mA, ±10V | -25°C to +85°C | ±0.003 | ±15 |
| DAC700BH/QM, DAC701BH/QM | Ceramic DIP | 0 to -2mA, 0 to +10V | /QM Screening | ±0.003 | ±15 |
| DAC702BH/QM, DAC703BH/QM | Ceramic DIP | ±1mA, ±10V | /QM Screening | ±0.003 | ±15 |
| DAC700LH, DAC701LH | Ceramic DIP | 0 to -2mA, 0 to +10V | 0°C to +70°C | ±0.0015 | ±10 |
| DAC700CH, DAC701CH | Ceramic DIP | 0 to -2mA, 0 to +10V | -25°C to +85°C | ±0.0015 | ±10 |
| DAC700SH, DAC701SH | Ceramic DIP | 0 to -2mA, 0 to +10V | -55°C to +125°C | ±0.003 | ±15 |
| DAC702LH, DAC703LH | Ceramic DIP | ±1mA, ±10V | 0°C to +70°C | ±0.0015 | ±10 |
| DAC702CH, DAC703CH | Ceramic DIP | ±1mA, ±10V | -25°C to +85°C | ±0.0015 | ±10 |
| DAC702SH, DAC703SH | Ceramic DIP | ±1mA, ±10V | -55°C to +125°C | ±0.003 | ±15 |
| DAC703JU | Plastic SOIC | ±10V | 0°C to +70°C | ±0.006 | |
| DAC703KU | Plastic SOIC | ±10V | 0°C to +70°C | ±0.003 | |

BURN-IN SCREENING OPTION—See Text for Details.

| MODEL | PACKAGE | OUTPUT CONFIGURATION | TEMPERATURE RANGE | LINEARITY ERROR, MAX AT +25°C (% of FSR) | BURN-IN TEMP. (160h) ⁽¹⁾ |
|-------------|-------------|----------------------|-------------------|--|-------------------------------------|
| DAC702JP-BI | Plastic DIP | ±1mA | 0°C to +70°C | ±0.006 | 85°C |
| DAC703JP-BI | Plastic DIP | ±10V | 0°C to +70°C | ±0.006 | 85°C |
| DAC702KP-BI | Plastic DIP | ±1mA | 0°C to +70°C | ±0.003 | 85°C |
| DAC703KP-BI | Plastic DIP | ±10V | 0°C to +70°C | ±0.003 | 85°C |
| DAC700KH-BI | Ceramic DIP | 0 to -2mA | 0°C to +70°C | ±0.003 | 85°C |
| DAC700LH-BI | Ceramic DIP | 0 to -2mA | 0°C to +70°C | ±0.0015 | 85°C |
| DAC700BH-BI | Ceramic DIP | 0 to -2mA | -25°C to +85°C | ±0.003 | 85°C |
| DAC700CH-BI | Ceramic DIP | 0 to -2mA | -25°C to +85°C | ±0.0015 | 85°C |
| DAC700SH-BI | Ceramic DIP | 0 to -2mA | -55°C to +125°C | ±0.003 | 125°C |
| DAC701KH-BI | Ceramic DIP | 0 to +10V | 0°C to +70°C | ±0.003 | 85°C |
| DAC701LH-BI | Ceramic DIP | 0 to +10V | 0°C to +70°C | ±0.0015 | 85°C |
| DAC701BH-BI | Ceramic DIP | 0 to +10V | -25°C to +85°C | ±0.003 | 85°C |
| DAC701CH-BI | Ceramic DIP | 0 to +10V | -25°C to +85°C | ±0.0015 | 85°C |
| DAC701SH-BI | Ceramic DIP | 0 to +10V | -55°C to +125°C | ±0.003 | 125°C |
| DAC702KH-BI | Ceramic DIP | ±1mA | 0°C to +70°C | ±0.003 | 85°C |
| DAC702LH-BI | Ceramic DIP | ±1mA | 0°C to +70°C | ±0.0015 | 85°C |
| DAC702BH-BI | Ceramic DIP | ±1mA | -25°C to +85°C | ±0.003 | 85°C |
| DAC702CH-BI | Ceramic DIP | ±1mA | -25°C to +85°C | ±0.0015 | 85°C |
| DAC702SH-BI | Ceramic DIP | ±1mA | -55°C to +125°C | ±0.003 | 125°C |
| DAC703KH-BI | Ceramic DIP | ±10V | 0°C to +70°C | ±0.003 | 85°C |
| DAC703LH-BI | Ceramic DIP | ±10V | 0°C to +70°C | ±0.0015 | 85°C |
| DAC703BH-BI | Ceramic DIP | ±10V | -25°C to +85°C | ±0.003 | 85°C |
| DAC703CH-BI | Ceramic DIP | ±10V | -25°C to +85°C | ±0.0015 | 85°C |
| DAC703SH-BI | Ceramic DIP | ±10V | -55°C to +125°C | ±0.003 | 125°C |

NOTE: (1) Or equivalent combination of time and temperature.

degree centigrade (ppm/°C). Gain drift is established by: (1) testing the end point differences for each D/A at t_{MIN} , +25°C and t_{MAX} ; (2) calculating the gain error with respect to the +25°C value; and (3) dividing by the temperature change.

Zero Drift

Zero drift is a measure of the change in the output with $FFFF_H$ (DAC700 and DAC701) applied to the digital inputs over the specified temperature range. For the bipolar models, zero is measured at $7FFF_H$ (bipolar zero) applied to the digital inputs. This code corresponds to zero volts (DAC703) or zero milliamps (DAC702) at the analog output. The maximum change in offset at t_{MIN} or t_{MAX} is referenced to the zero error at +25°C and is divided by the temperature

change. This drift is expressed in parts per million of full scale range per degree centigrade (ppm of FSR/°C).

SETTLING TIME

Settling time of the D/A is the total time required for the analog output to settle within an error band around its final value after a change in digital input. Refer to Figure 1 for typical values for this family of products.

Voltage Output

Settling times are specified to ±0.003% of FSR (±1/2LSB for 14 bits) for two input conditions: a full-scale range change of 20V (DAC703) or 10V (DAC701) and a 1LSB change at the "major carry," the point at which the worst-case settling

DAC700/01/02/03

6.1

INSTRUMENTATION D/A CONVERTERS



For Immediate Assistance, Contact Your Local Salesperson

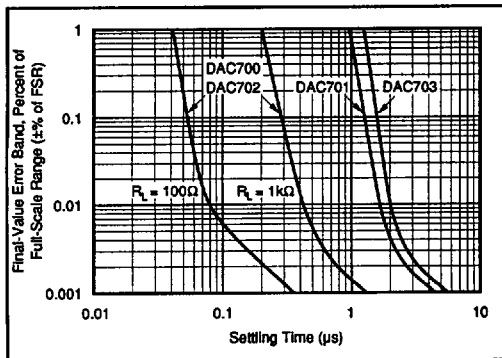


FIGURE 1. Final-Value Error Band vs Full-Scale Range Settling Time.

time occurs. (This is the worst-case point since all of the input bits change when going from one code to the next).

Current Output

Settling times are specified to $\pm 0.003\%$ of FSR for a full-scale range change for two output load conditions: one for 10Ω to 100Ω and one for 1000Ω . It is specified this way because the output RC time constant becomes the dominant factor in determining settling time for large resistive loads.

COMPLIANCE VOLTAGE

Compliance voltage applies only to current output models. It is the maximum voltage swing allowed on the output current pin while still being able to maintain specified accuracy.

POWER SUPPLY SENSITIVITY

Power supply sensitivity is a measure of the effect of a change in a power supply voltage on the D/A converter output. It is defined as a percent of FSR change in the output per percent of change in either the positive supply ($+V_{CC}$), negative supply ($-V_{CC}$) or logic supply (V_{DD}) about the nominal power supply voltages (see Figure 2).

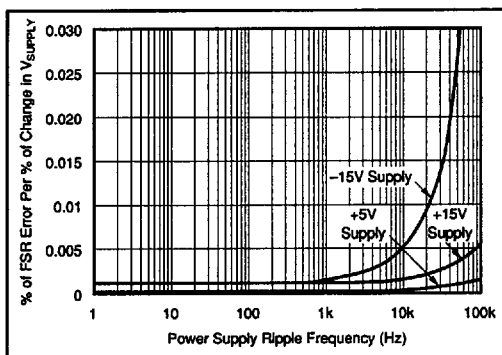


FIGURE 2. Power Supply Rejection vs Power Supply Ripple Frequency.

It is specified for DC or low frequency changes. The typical performance curve in Figure 2 shows the effect of high frequency changes in power supply voltages.

REFERENCE SUPPLY

All models have an internal low-noise $+6.3V$ reference voltage derived from an on-chip buried zener diode. This reference voltage, available to the user, has a tolerance of $\pm 5\%$ (KH models) and $\pm 1\%$ (BH models). A minimum of $1.5mA$ is available for external loads. Since the output impedance of the reference output is typically $1W$, the external load should remain constant.

If a varying load is to be driven by the reference supply, an external buffer amplifier is recommended to drive the load in order to isolate the bipolar offset (connected internally to the reference) from load variations.

BURN-IN SCREENING

Burn-in screening is an option available for selected models of the DAC700 family of products. Burn-in duration is 160 hours at the temperature shown below (or equivalent combination of time and temperature).

| MODEL | TEMP. RANGE | BURN-IN SCREENING |
|-------------|-----------------|--------------------|
| DAC700BH-BI | -25°C to +85°C | 160 hours at 85°C |
| DAC702SH-BI | -55°C to +125°C | 160 hours at 125°C |

All units are tested after burn-in to ensure that grade specifications are met. To order burn-in add "-BI" to the base model number.

ENVIRONMENTAL SCREENING

/QM Screening

Burr-Brown /QM models are environmentally screened versions of our standard industrial products designed to provide enhanced reliability. The screening, tabulated below, is performed to selected methods of MIL-STD-883. Reference to these methods provides a convenient method of communicating the screening levels and basic procedures employed; it does not imply conformance to any other military standards or to any methods of MIL-STD-883 other than those specified below. Burr-Brown's detailed procedures may vary slightly, model-to-model, from those in MIL-STD-883.

Screening Flow for /QM Models

| SCREEN | MIL-STD-883 METHOD | CONDITION | COMMENTS |
|---|--------------------|-----------|-----------------------------|
| Internal Visual | BBC Standard | | OC4118 |
| High Temperature Storage (Stabilization Bake) | 1008 | C | +150°C, 24h |
| Temperature Cycling | 1010 | C | -65°C to +150°C, 10 cycles |
| Burn-in | 1015 | B | -125°C, 160h |
| Constant Acceleration | 2001 | E | 30,000G |
| Hermeticity | | | |
| Fine Leak | 1014 | A1 or A2 | 5×10^{-8} atm cc/s |
| Gross Leak | 1014 | C | 60psg, 2h |
| External Visual | BBC Standard | | OC5150 |



Or, Call Customer Service at 1-800-548-6132 (USA Only)

OPERATING INSTRUCTIONS

POWER SUPPLY CONNECTIONS

For optimum performance and noise rejection, power supply decoupling capacitors should be added as shown in the Connection Diagram. 1μF tantalum capacitors should be located close to the D/A converter.

EXTERNAL ZERO AND GAIN ADJUSTMENT

Zero and gain may be trimmed by installing external zero and gain potentiometers. Connect these potentiometers as shown in the Connection Diagram and adjust as described below. TCR of the potentiometers should be 100ppm/°C or less. The 3.9MΩ and 270kΩ resistors (±20% carbon or better) should be located close to the D/A converter to prevent noise pickup. If it is not convenient to use these high-value resistors, an equivalent "T" network, as shown in Figure 3, may be substituted in place of the 3.9MΩ part. A 0.001μF to 0.01μF ceramic capacitor should be connected from Gain Adjust to Common to prevent noise pickup. Refer to Figures 4 and 5 for the relationship of zero and gain adjustments to unipolar and bipolar D/A converters.

Zero Adjustment

For unipolar (CSB) configurations, apply the digital input code that produces zero voltage or zero current output and adjust the zero potentiometer for zero output.

For bipolar (COB, CTC) configurations, apply the digital input code that produces zero output voltage or current. See Table II for corresponding codes and the Connection Diagram for zero adjustment circuit connections. Zero calibration should be made before gain calibration.

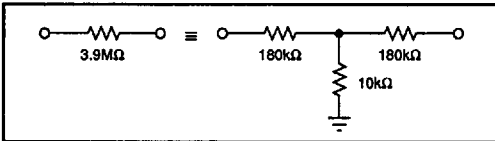


FIGURE 3. Equivalent Resistances.

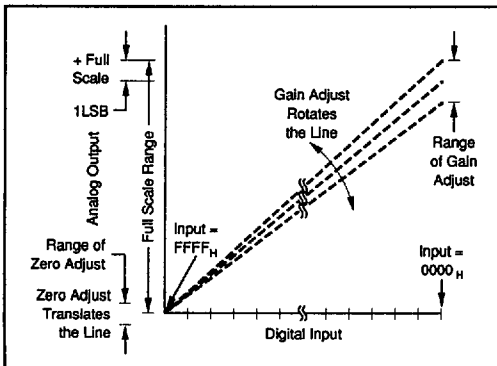


FIGURE 4. Relationship of Zero and Gain Adjustments for Unipolar D/A Converters, DAC700 and DAC701.

Gain Adjustment

Apply the digital input that gives the maximum positive output voltage. Adjust the gain potentiometer for this positive full scale voltage. See Table II for positive full scale voltages and the Connection Diagram for gain adjustment circuit connections.

INSTALLATION CONSIDERATIONS

This D/A converter family is laser-trimmed to 14-bit linearity. The design of the device makes the 16-bit resolution available. If 16-bit resolution is not required, bit 15 and bit 16 should be connected to V_{DD} through a single 1kΩ resistor.

Due to the extremely high resolution and linearity of the D/A converter, system design problems such as grounding and contact resistance become very important. For a 16-bit converter with a 10V full-scale range, 1LSB is 153μV. With a load current of 5mA, series wiring and connector resistance of only 30mΩ will cause the output to be in error by 1LSB. To understand what this means in terms of a system layout, the resistance of #23 wire is about 0.021Ω/ft. Neglecting contact resistance, less than 18 inches of wire will produce a 1LSB error in the analog output voltage!

In Figures 6, 7, and 8, lead and contact resistances are represented by R₁ through R₃. As long as the load resistance R_L is constant, R₂ simply introduces a gain error and can be removed during initial calibration. R₃ is part of R_L, if the output voltage is sensed at Common, and therefore introduces no error. If R_L is variable, then R₂ should be less than R_{L,MIN}/2¹⁶ to reduce voltage drops due to wiring to less than 1LSB. For example, if R_{L,MIN} is 5kΩ, then R₂ should be less than 0.08Ω. R_L should be located as close as possible to the D/A converter for optimum performance. The effect of R₄ is negligible.

In many applications it is impractical to sense the output voltage at the output pin. Sensing the output voltage at the system ground point is permissible with the DAC700 family

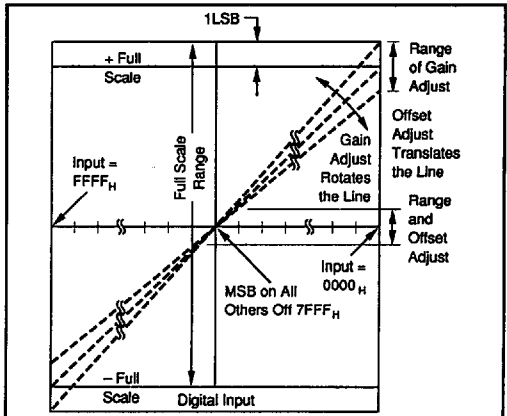


FIGURE 5. Relationship of Zero and Gain Adjustments for Bipolar D/A Converters, DAC702 and DAC703.

BURR-BROWN CORP



For Immediate Assistance, Contact Your Local Salesperson

| VOLTAGE OUTPUT MODELS | | | | | | |
|-----------------------|-----------------|----------|----------|----------------|----------|----------|
| DIGITAL INPUT CODE | ANALOG OUTPUT | | | | | |
| | DAC701 UNIPOLAR | | | DAC703 BIPOLAR | | |
| | 16-BIT | 15-BIT | 14-BIT | 16-BIT | 15-BIT | 14-BIT |
| 1LSB (μV) | 153 | 305 | 610 | 305 | 610 | 1224 |
| 0000 _H (V) | +9.99985 | +9.99969 | +9.99939 | +9.99960 | +9.99939 | +9.99878 |
| FFFF _H (V) | 0 | 0 | 0 | -10.0000 | -10.0000 | -10.0000 |

| ANALOG OUTPUT MODELS | | | | | | |
|------------------------|-----------------|----------|----------|----------------|----------|----------|
| DIGITAL INPUT CODE | ANALOG OUTPUT | | | | | |
| | DAC700 UNIPOLAR | | | DAC702 BIPOLAR | | |
| | 16-BIT | 15-BIT | 14-BIT | 16-BIT | 15-BIT | 14-BIT |
| 1LSB (μA) | 0.031 | 0.061 | 0.122 | 0.031 | 0.061 | 0.122 |
| 0000 _H (mA) | -1.99997 | -1.99994 | -1.99988 | -0.99997 | -0.99994 | -0.99988 |
| FFFF _H (mA) | 0 | 0 | 0 | +1.00000 | +1.00000 | +1.00000 |

TABLE II. Digital Input and Analog Output Relationships.

because the D/A converter is designed to have a constant return current of approximately 2mA flowing from Common. The variation in this current is under 20μA (with changing input codes), therefore R_1 can be as large as 3Ω without adversely affecting the linearity of the D/A converter. The voltage drop across R_1 ($R_1 \times 2mA$) appears as a zero error and can be removed with the zero calibration adjustment. This alternate sensing point (the system ground point) is shown in Figures 6, 7, and 8.

Figures 7 and 8 show two methods of connecting the current output models (DAC700 or DAC702) with external precision output op amps. By sensing the output voltage at the load resistor (ie, by connecting R_F to the output of A_1 at R_1), the effect of R_1 and R_2 is greatly reduced. R_1 will cause a gain error but is independent of the value of R_1 and can be eliminated by initial calibration adjustments. The effect of R_2 is negligible because it is inside the feedback loop of the output op amp and is therefore greatly reduced by the loop gain.

If the output cannot be sensed at Common or the system ground point as mentioned above, the differential output circuit shown in Figure 8 is recommended. In this circuit the output voltage is sensed at the load common and not at the D/A converter common as in the previous circuits. The value of R_6 and R_7 must be adjusted for maximum common-mode rejection at R_1 . Note that if R_3 is negligible, the circuit of Figure 8 can be reduced to the one shown in Figure 7. Again the effect of R_1 is negligible.

The D/A converter and the wiring to its connectors should be located to provide optimum isolation from sources of RFI and EMI. The key concept in elimination of RF radiation or

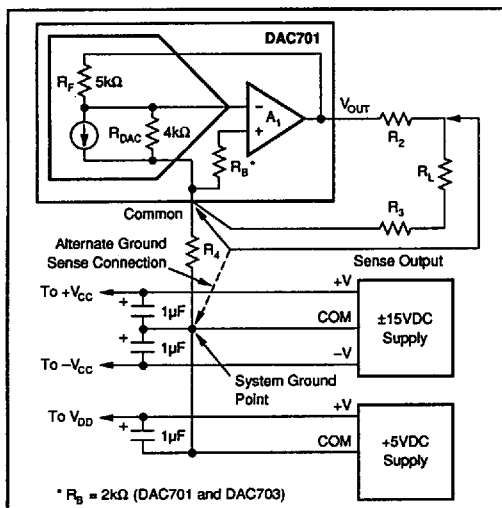


FIGURE 6. Output Circuit for Voltage Models.

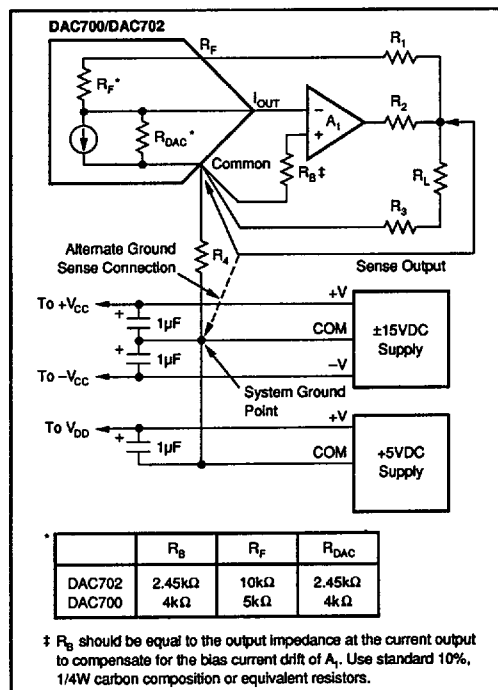


FIGURE 7. Preferred External Op Amp Configuration.

BURR-BROWN CORP



Or, Call Customer Service at 1-800-548-6132 (USA Only)

pickup is loop area; therefore, signal leads and their return conductors should be kept close together. This reduces the external magnetic field along with any radiation. Also, if a single lead and its return conductor are wired close together, they present a small flux-capture cross section for any external field. This reduces radiation pickup in the circuit.

APPLICATIONS

DRIVING AN EXTERNAL OP AMP WITH CURRENT OUTPUT D/A

DAC700 and DAC702 are current output devices and will drive the summing junction of an op amp to produce an output voltage as shown in Figure 9. Use of the internal feedback resistor is required to obtain specified gain accuracy and low gain drift.

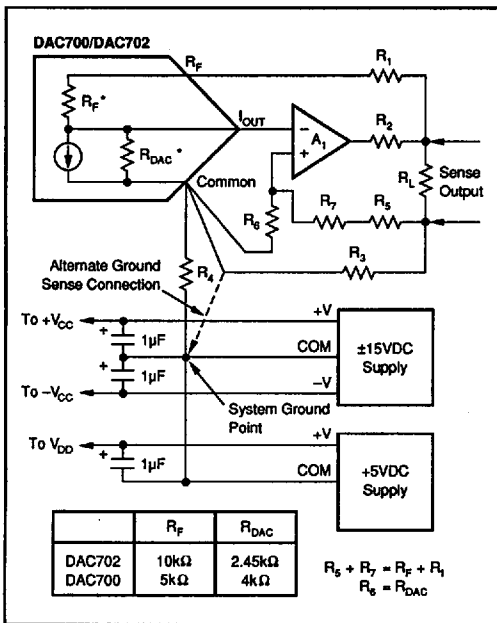


FIGURE 8. Differential Sensing Output Op Amp Configuration.

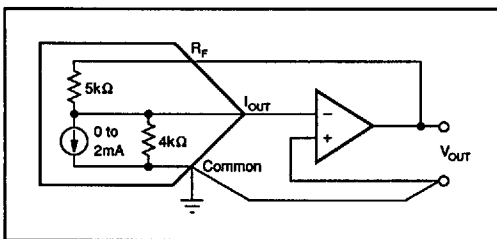


FIGURE 9. External Op Amp Using Internal Feedback Resistors.

DAC700 or DAC702 can be scaled for any desired voltage range with an external feedback resistor, but at the expense of increased drifts of up to $\pm 50\text{ppm}/^\circ\text{C}$. The resistors in the DAC700 and DAC702 ratio track to $\pm 1\text{ppm}/^\circ\text{C}$ but their absolute TCR may be as high as $\pm 50\text{ppm}/^\circ\text{C}$.

An alternative method of scaling the output voltage of the D/A converter and preserving the low gain drift is shown in Figure 10.

OUTPUTS LARGER THAN 20V RANGE

For output voltage ranges larger than $\pm 10\text{V}$, a high voltage op amp may be employed with an external feedback resistor. Use I_{OUT} values of $\pm 1\text{mA}$ for bipolar voltage ranges and -2mA for unipolar voltage ranges (see Figure 11). Use protection diodes as shown when a high voltage op amp is used.

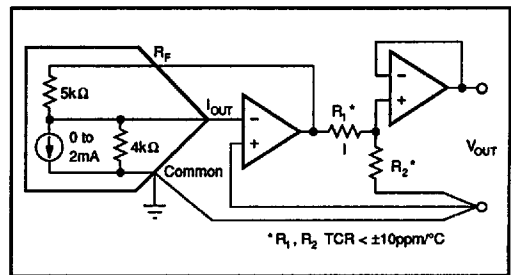


FIGURE 10. External Op Amp Using Internal and External Feedback Resistors to Maintain Low Gain Drift.

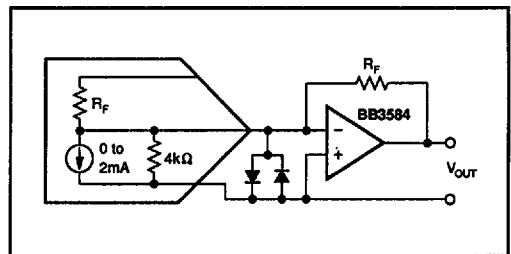


FIGURE 11. External Op Amp Using External Feedback Resistors.

BURR-BROWN CORP