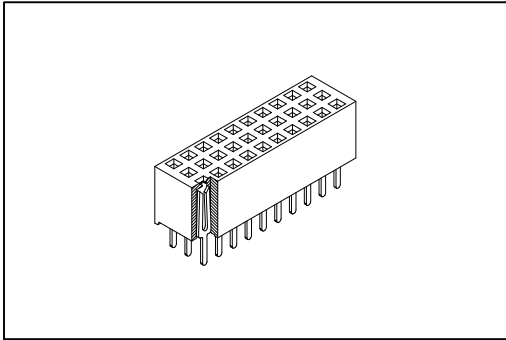


2044 Series

P.C.B. Socket 2.54mmX2.54mm(0.100"X0.100")



Material:

Housing: Thermoplastic Polyester Glass Filled UL94V-0.

Contacts: Copper Alloy.

Electrical Characteristics:

Current Rating: 2 A.

Dielectric Withstanding Voltage: AC 1000V.

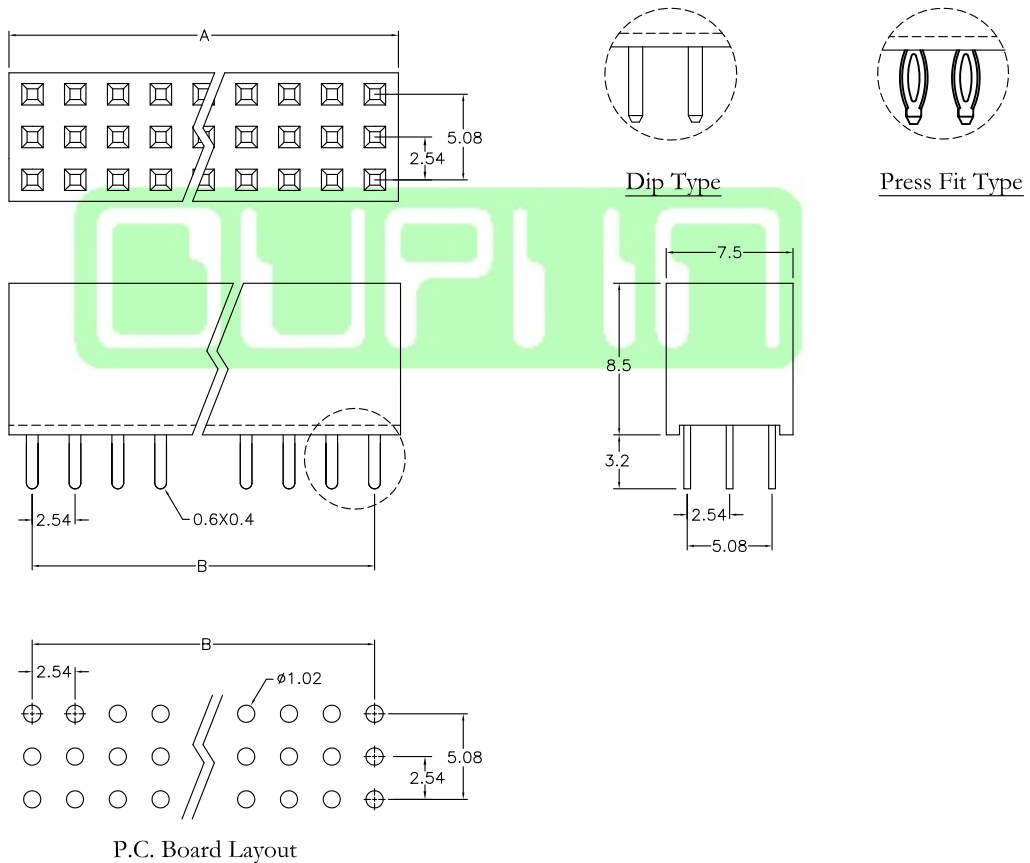
Insulator Resistance: 1000MΩ min.

Contact Resistance: 20mΩ max.

Operating Temperature: -55°C~+105°C.

Features:

- * Available in Straight & Press Fit.
 - * High profile 8.50mm (0.335").
 - * Triple row offers wide range applications.
 - * Tuning fork contacts offer lower cost for competitive market.
 - * Additional plating options available.
- Mates with: 2011,2012.



Position Dimension	6 Thru 120
A	2.54 X No. of Positions /3+0.4
B	2.54 X No. of Positions /3-2.54

Ordering information

2044- Series
 3 Triple Row
 X
 32 No. of Pin Per Row
 G G: Gold Plated
 00 00: G/F
 S S: Straight
 P Blank: Dip Type
 P: Press Fit Type
 A A: Tray Package
 B: Bulk Package