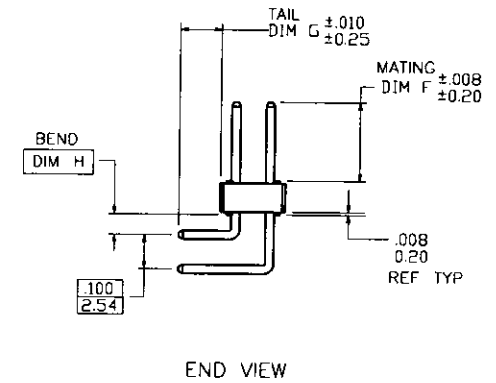
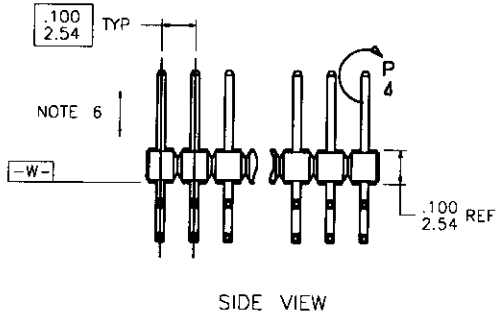
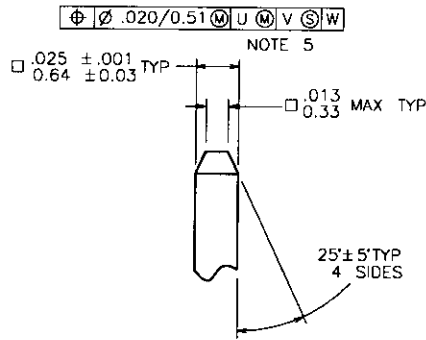
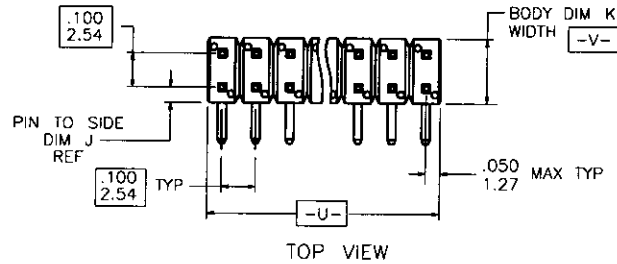


Tous droits strictement réservés. Reproduction ou communication à des tiers interdite sous quelque forme que ce soit sans autorisation écrite du propriétaire. Propriété de ©BERG ELECTRONICS. Droits de reproduction BERG ELECTRONICS INC.

All rights strictly reserved. Reproduction or issue to third parties in any form whatever is not permitted without written authority from the proprietor. Property of ©BERG ELECTRONICS Copyright BERG ELECTRONICS INC.

PRODUCT NO.  
XXXXX-YYY T

- TUBE PACKAGING OPTION  
SEE NOTE 8
- NO OF POSITIONS  
SEE NOTE 4
- PLATING NUMBER  
SEE SHEET 2
- BASE PART NO.



mat'l. code NOTE 1 & 2				tolerances unless otherwise specified		CUSTOMER COPY		<b>BERG ELECTRONICS</b>	
ltr	ecn no	dr	date	linear	.XX±.01/.X±.3	projection	title		
A	V41425	MSC	9/22/94	linear	.XXX±.005/.XX±.13		BERGSTIK® II HDR. DUPLEX .100/2.54cc DR R/A	product family	code
B	V61053	EPK	7/31/96	linear	.XXX±.0020/.XXX±.051			INCH/MM	size
C	V61788	HTB	12/12/96	angles	0°±2'	scale	A	94646	sheet
				dr	I. BREWBAKER	7/20/94			1 of 3
				enr	T. HANNA	7/20/94			
				chr	J. MURPHY	7/20/94			
				appd	T. HANNA	9/22/94			
sheet	revision	C	B	C					
index	sheet	1	2	3					

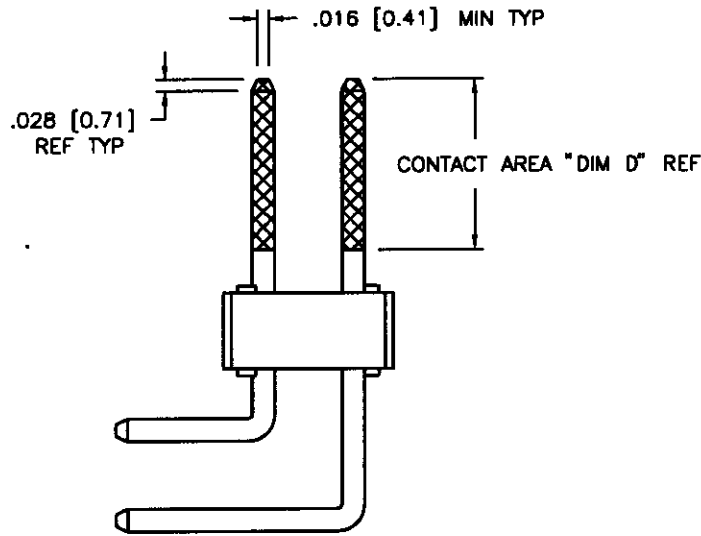
Tous droits strictement reserves. Reproduction ou communication a des tiers interdite sous quelque forme que ce soit sans autorisation écrite du propriétaire.  
 Propriété de ©BERG ELECTRONICS. Droits de reproduction BERG ELECTRONICS INC.

All rights strictly reserved. Reproduction or issue to third parties in any form whatever is not permitted without written authority from the proprietor.  
 Property of ©BERG ELECTRONICS Copyright BERG ELECTRONICS INC.



1 | 2 | 3 | 4

PLATING NUMBER	CONTACT AREA "DIM. D" (NOTE 3)
XXXXX-1YY	30u"/0.76u Au OVER 50u"/1.27u Ni
XXXXX-2YY	15u"/0.38u Au OVER 50u"/1.27u Ni



NOTES

- ① BODY MATERIAL: GLASS FIBER REINFORCED PCT FLAME RETARDANT PER UL-94V-0. COLOR: BLACK.
- ② PIN MATERIAL: PHOS-BRONZE.
- ③ FINISH:  
CONTACT AREA: SEE TABLE  
SOLDER TAIL: 100u"/2.54u TIN/LEAD (60/40) OVER 50u"/1.27u Ni
- ④ ANY NUMBER OF POSITIONS FROM 2 (2X1) THRU 72 (2X36).
- ⑤ MEASURED WITH PART IN RESRAINED CONDITION.
- ⑥ 2LBS/0.9KG MIN PIN RETENTION IN EITHER DIRECTION.
- ⑦ PACKAGED IN POLY BAGS.
- ⑧ EIGHT DIGIT PART NUMBERS FOLLOWED BY A "T" ARE PACKAGED IN TUBES. SEE SPECIFIC PART NUMBERS FOR AVAILABILITY.

mat'l. code				tolerances unless otherwise specified		CUSTOMER COPY		<b>BERG ELECTRONICS</b>			
l/r	ecr no	dr	date	linear	.001±.01/.01±.3		projection	title BERGSTIK® II HDR. DUPLEX .100/2.54cc DR R/A			
B					.000±.005/.001±.13						
					.000±.0020/.000±.051						
				angles	0±2		INCH/MM	product family	BERGSTIK		
				dr	E. KROPIEWNICKI	7/31/98		size	dwg no		
				enrg	T. BREWBAKER	7/31/98	scale	A	94646	sheet	
				chr	T. BREWBAKER	7/31/98				2:1	2 of
				oppd	T. BREWBAKER	7/31/98					
sheet index	revision sheet										

Tous droits strictement réservés. Reproduction ou communication o des liers interdite sous quelque forme que ce soit sans autorisation écrite du propriétaire.  
 Propriété de ©BERG ELECTRONICS. Droits de reproduction BERG ELECTRONICS INC.



All rights strictly reserved. Reproduction or issue to third parties in any form whatever is not permitted without written authority from the proprietor.  
 Property of ©BERG ELECTRONICS Copyright BERG ELECTRONICS INC.

PRODUCT NO.	MATING LENGTH		TAIL LENGTH		BEND DIM.		PIN TO SIDE		BODY WIDTH		CONTACT AREA		PACKAGING
	DIM F	DIM F	DIM G	DIM G	DIM H	DIM H	DIM J	DIM J	DIM K	DIM K	DIM D	DIM D	
	ENGLISH	METRIC	ENGLISH	METRIC	ENGLISH	METRIC	ENGLISH	METRIC	ENGLISH	METRIC	ENGLISH	METRIC	
72466-XYX	0.390	9.91	0.100	2.54	0.060	1.52	0.070	1.78	0.240	6.10	0.250	6.35	POLY BAGS
94646-XYX	0.230	5.84	0.095	2.41	0.060	1.52	0.045	1.14	0.190	4.83	0.185	4.70	POLY BAGS
94648-XYX	0.230	5.84	0.120	3.05	0.060	1.52	0.045	1.14	0.190	4.83	0.185	4.70	POLY BAGS
94649-XYX	0.318	8.08	0.107	2.72	0.060	1.52	0.045	1.14	0.190	4.83	0.200	5.08	POLY BAGS
94650-XYX	0.318	8.08	0.150	3.81	0.060	1.52	0.045	1.14	0.190	4.83	0.200	5.08	POLY BAGS
94692-XYX	0.230	5.84	0.095	2.41	0.060	1.52	0.070	1.78	0.240	6.10	0.185	4.70	POLY BAGS
94693-XYX	0.230	5.84	0.120	3.05	0.060	1.52	0.070	1.78	0.240	6.10	0.185	4.70	POLY BAGS
94694-XYX	0.318	8.08	0.107	2.72	0.060	1.52	0.070	1.78	0.240	6.10	0.200	5.08	POLY BAGS
94695-XYX	0.318	8.08	0.150	3.81	0.060	1.52	0.070	1.78	0.240	6.10	0.200	5.08	POLY BAGS

mat'l. code				tolerances unless otherwise specified		CUSTOMER COPY		<b>BERG ELECTRONICS</b>			
ltr	ecn no	dr	date	linear	.XX ±.01/.X ± .3	projection		title			
c					.XXX ±.005/.XX ± .13			BERGSTIK® II HDR. DUPLEX		product family BERGSTIK	
					.000X ±.0020/.00X ± .05			.100/2.54cc DR R/A		code	
				angles	0° ± Z	INCH/MM		size dwg no			
				dr	E. KROPIEWNICKI 7/31/96			A		sheet 3 of	
				enrg	T. BREWBAKER 7/31/96			scale			
				chr	T. BREWBAKER 7/31/96			1:1			
				appd	T. BREWBAKER 7/31/96						
sheet index	revision sheet							cage code			
								22526			