

SPECIFICATIONS

Mechanical

Contact Mating Force: 5.10kg (11.25Lb) max. (Female)
 3.06kg (6.75Lb) max. (Male)
Contact Unmating Force: 0.32kg (0.70Lb) min. (Female)
 0.19kg (0.42 Lb) min. (Male)
Durability: 500 Cycles

Electrical

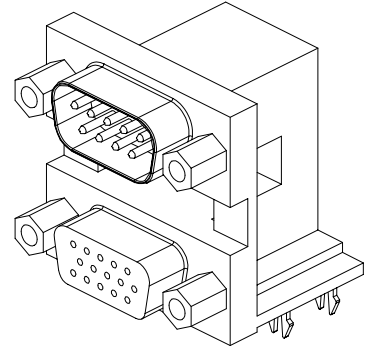
Current Rating: 2A
Contact Resistance: 25mΩ (Female); 35mΩ (Male)
Dielectric Withstanding Voltage: 1000V AC/1min min.
Insulation Resistance: 5000MΩ min.

Physical

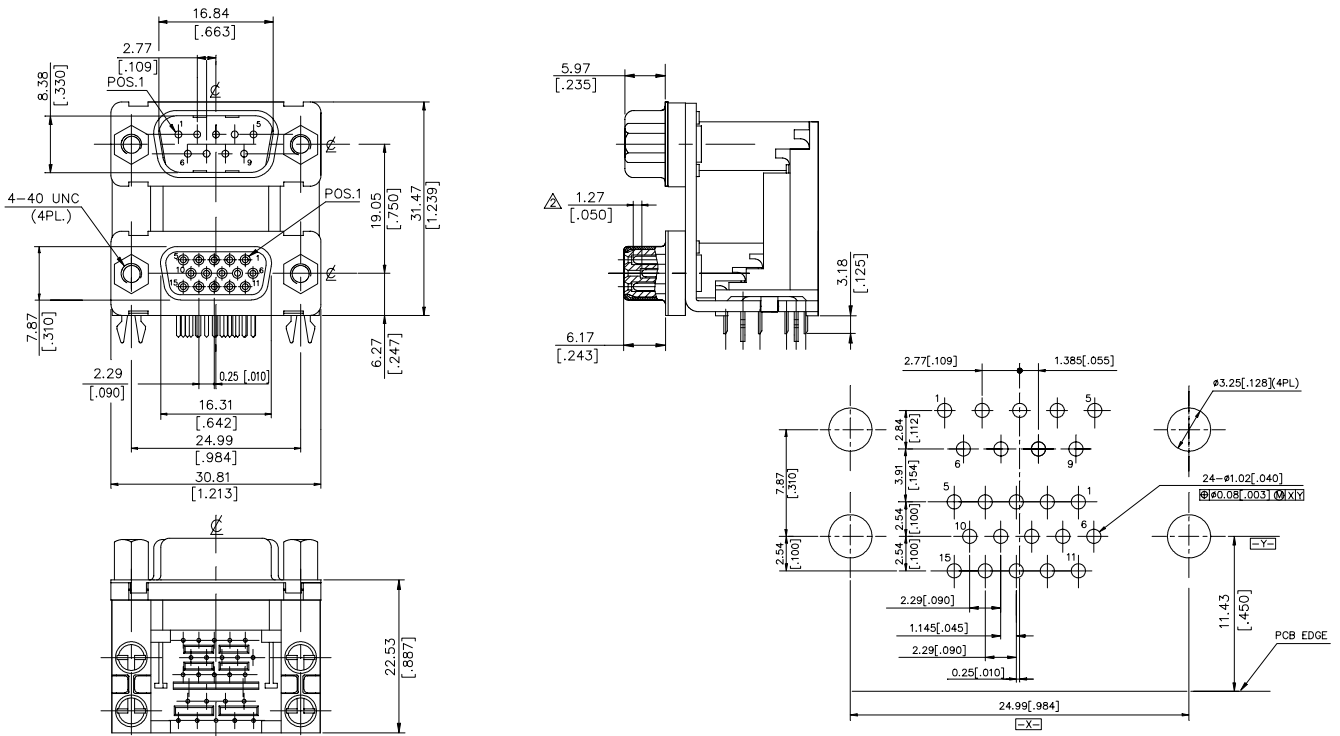
Housing: Thermoplastic, UL 94V-0 rated
Contact: Copper alloy
Plating: See "ORDERING INFORMATION"
Operating Temperature: -55 to +105

D-SUB Connector

DM Series
Right Angle Type, T/H
2.77mm [.109"] Pitch
9 Pos. (Male) +
15 Pos. (Female)



DRAWING



ORDERING INFORMATION

