

Dual J-K negative edge-triggered flip-flop

74ALS112A

DESCRIPTION

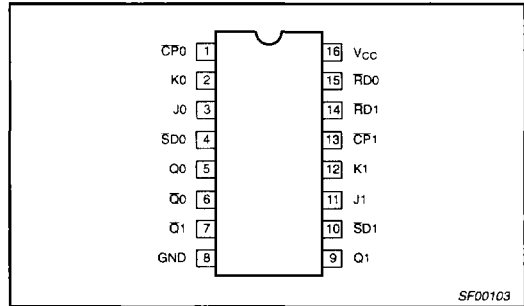
The 74ALS112A, dual negative edge-triggered JK-type flip-flop features individual J, K, clock (CPn), set (SD), and reset (RD) inputs, true (Qn) and complementary (Q̄n) outputs.

The SD and RD inputs, when Low, set or reset the outputs as shown in the function table regardless of the level at the other inputs.

A High level on the clock (CPn) input enables the J and K inputs and data will be accepted. The logic levels at the J and K inputs may be allowed to change while the CPn is High and the flip-flop will perform according to the function table as long as minimum setup and hold times are observed. Output changes are initiated by the High-to-Low transition of the CPn.

TYPE	TYPICAL f _{MAX}	TYPICAL SUPPLY CURRENT (TOTAL)
74ALS112A	50MHz	3.0mA

PIN CONFIGURATION



ORDERING INFORMATION

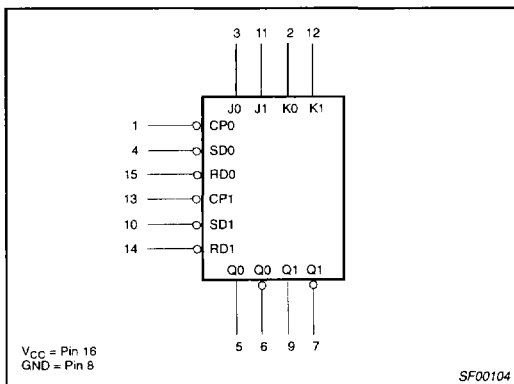
DESCRIPTION	ORDER CODE	DRAWING NUMBER
	COMMERCIAL RANGE V _{CC} = 5V ±10%, T _{amb} = 0°C to +70°C	
16-pin plastic DIP	74ALS112AN	SOT38-4
16-pin plastic SO	74ALS112AD	SOT109-1

INPUT AND OUTPUT LOADING AND FAN-OUT TABLE

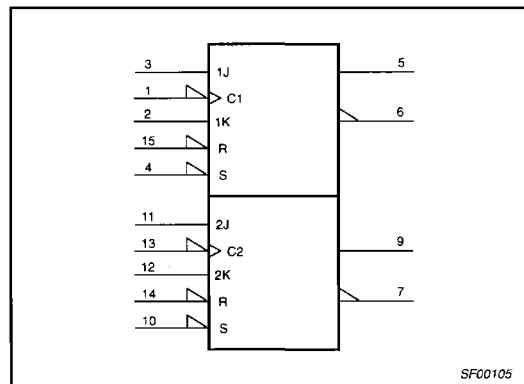
PINS	DESCRIPTION	74ALS (U.L.) HIGH/LOW	LOAD VALUE HIGH/LOW
CP0, CP1	Clock Pulse input (active falling edge)	1.0/1.0	20µA/0.1mA
J0, J1	J inputs	1.0/2.0	20µA/0.2mA
K0, K1	K inputs	1.0/2.0	20µA/0.2mA
SD0, SD1	Set inputs (active-Low)	1.0/2.0	20µA/0.2mA
RD0, RD1	Reset inputs (active-Low)	1.0/2.0	20µA/0.2mA
Q0, Q1, Q̄0, Q̄1	Data outputs	20/80	0.4mA/8mA

NOTE: One (1.0) ALS unit load is defined as: 20µA in the High state and 0.1mA in the Low state.

LOGIC SYMBOL



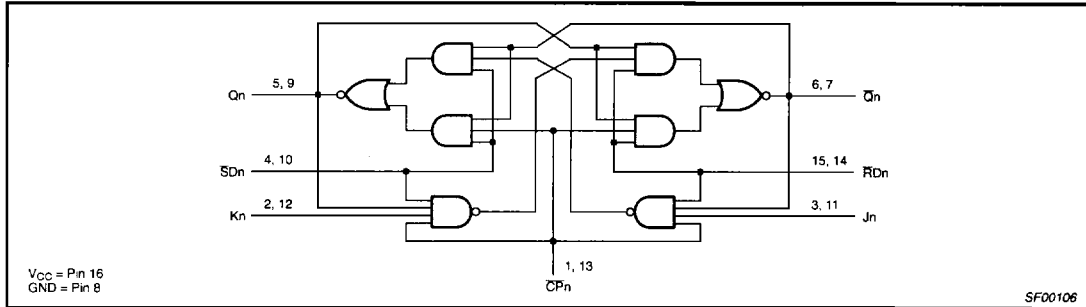
IEC/IEEE SYMBOL



Dual J-K negative edge-triggered flip-flop

74ALS112A

LOGIC DIAGRAM



FUNCTION TABLE

INPUTS					OUTPUTS		OPERATING MODE
SD	RD	CP	J	K	Q	Q̄	
L	H	X	X	X	H	L	Asynchronous Set
H	L	X	X	X	L	H	Asynchronous Reset
L	L	X	X	X	H*	H*	Undetermined *
H	H	↓	h	h	q̄	q	Toggle
H	H	↓	h	l	H	L	Load "1" (Set)
H	H	↓	l	h	L	H	Load "0" (Reset)
H	H	↓	l	l	q	q̄	Hold "no change"
H	H	H	X	X	q	q̄	Hold "no change"

H = High voltage level

h = High state must be present one setup time prior to High-to-Low clock transition

L = Low voltage level

l = Low state must be present one setup time prior to High-to-Low clock transition

q = Lower case indicate the state of the referenced output prior to the High-to-Low clock transition

X = Don't care

↓ = High-to-Low clock transition

* = Both outputs will be High while both SD and RD are Low, but the output states are unpredictable if SD and RD go High simultaneously

Asynchronous inputs: Low input to SD sets Q to High level, Low input to RD sets Q to Low level. Set and reset are independent of clock.

Simultaneous Low on both SD and RD makes both Q and Q̄ High.

Dual J-K negative edge-triggered flip-flop

74ALS112A

ABSOLUTE MAXIMUM RATINGS

(Operation beyond the limit set forth in this table may impair the useful life of the device. Unless otherwise noted these limits are over the operating free-air temperature range.)

SYMBOL	PARAMETER	RATING	UNIT
V_{CC}	Supply voltage	-0.5 to +7.0	V
V_{IN}	Input voltage	-0.5 to +7.0	V
I_{IN}	Input current	-30 to +5	mA
V_{OUT}	Voltage applied to output in High output state	-0.5 to V_{CC}	V
I_{OUT}	Current applied to output in Low output state	16	mA
T_{amb}	Operating free-air temperature range	0 to +70	°C
T_{stg}	Storage temperature range	-65 to +150	°C

RECOMMENDED OPERATING CONDITIONS

SYMBOL	PARAMETER	LIMITS			UNIT
		MIN	NOM	MAX	
V_{CC}	Supply voltage	4.5	5.0	5.5	V
V_{IH}	High-level input voltage	2.0			V
V_{IL}	Low-level input voltage			0.8	V
I_{IK}	Input clamp current			-18	mA
I_{OH}	High-level output current			-0.4	mA
I_{OL}	Low-level output current			8	mA
T_{amb}	Operating free-air temperature range	0		+70	°C

DC ELECTRICAL CHARACTERISTICS

(Over recommended operating free-air temperature range unless otherwise noted.)

SYMBOL	PARAMETER	TEST CONDITIONS ¹	LIMITS			UNIT	
			MIN	TYP ²	MAX		
V_{OH}	High-level output voltage	$V_{CC} = \pm 10\%$, $V_{IL} = \text{MAX}$, $V_{IH} = \text{MIN}$	$I_{OH} = -0.4\text{mA}$	$V_{CC} - 2$		V	
V_{OL}	Low-level output voltage	$V_{CC} = \text{MIN}$, $V_{IL} = \text{MAX}$,	$I_{OL} = 4\text{mA}$		0.25	0.40	V
		$V_{IH} = \text{MIN}$	$I_{OL} = 8\text{mA}$		0.35	0.50	V
V_{IK}	Input clamp voltage	$V_{CC} = \text{MIN}$, $I_I = I_{IK}$			-0.73	-1.5	V
I_I	Input current at maximum input voltage	$V_{CC} = \text{MAX}$, $V_I = 7.0\text{V}$				0.1	mA
I_{IH}	High-level input current	$V_{CC} = \text{MAX}$, $V_I = 2.7\text{V}$				20	µA
I_{IL}	Low-level input current	\overline{CPn}	$V_{CC} = \text{MAX}$, $V_I = 0.4\text{V}$			-0.1	mA
		\overline{SDn} , \overline{RDn} , Jn, Kn				-0.2	mA
I_O	Output current ³	$V_{CC} = \text{MAX}$, $V_O = 2.25\text{V}$		-30		-112	mA
I_{CC}	Supply current (total)	$V_{CC} = \text{MAX}$			2.5	4.5	mA

NOTES:

- For conditions shown as MIN or MAX, use the appropriate value specified under recommended operating conditions for the applicable type.
- All typical values are at $V_{CC} = 5\text{V}$, $T_{amb} = 25^\circ\text{C}$.
- The output conditions have been chosen to produce a current that closely approximates one half of the true short-circuit output current, I_{OS} .

Dual J-K negative edge-triggered flip-flop

74ALS112A

AC ELECTRICAL CHARACTERISTICS

SYMBOL	PARAMETER	TEST CONDITION	LIMITS		UNIT
			$T_{amb} = 0^{\circ}\text{C to } +70^{\circ}\text{C}$ $V_{CC} = +5.0\text{V} \pm 10\%$ $C_L = 50\text{pF}, R_L = 500\Omega$		
			MIN	MAX	
f_{MAX}	Maximum clock frequency	Waveform 1	35		MHz
t_{PLH} t_{PHL}	Propagation delay CPn to Qn or Qn	Waveform 1	2.0 4.0	10.0 10.5	ns
t_{PLH} t_{PHL}	Propagation delay SDn or RD to Qn or Qn	Waveform 2, 3	1.5 3.5	8.0 9.5	ns

AC SETUP REQUIREMENTS

SYMBOL	PARAMETER	TEST CONDITION	LIMITS		UNIT
			$T_{amb} = 0^{\circ}\text{C to } +70^{\circ}\text{C}$ $V_{CC} = +5.0\text{V} \pm 10\%$ $C_L = 50\text{pF}, R_L = 500\Omega$		
			MIN	MAX	
$t_{su} (H)$ $t_{su} (L)$	Setup time, High or Low Jn, Kn to CPn	Waveform 1	8.0 8.0		ns
$t_h (H)$ $t_h (L)$	Hold time, High or Low Jn, Kn to CPn	Waveform 1	0.0 0.0		ns
$t_w (H)$ $t_w (L)$	CPn Pulse width high or Low	Waveform 1	11.0 8.0		ns
$t_w (L)$	SDn or RDn Pulse width Low	Waveform 2, 3	6.0		ns
t_{REC}	Recovery time, SDn or RDn to CPn	Waveform 2, 3	8.0		ns

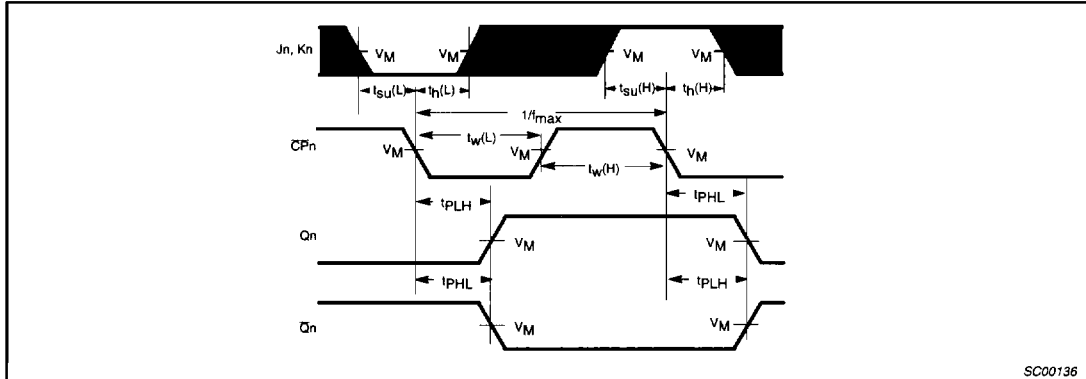
Dual J-K negative edge-triggered flip-flop

74ALS112A

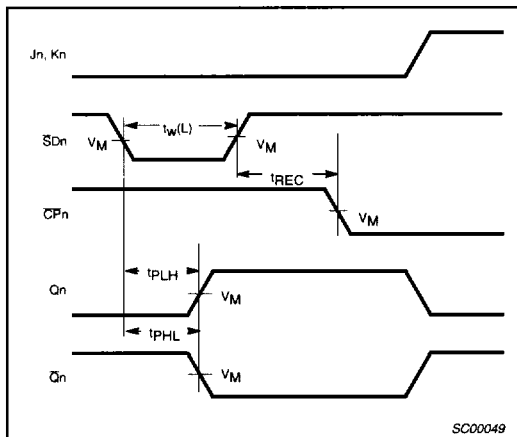
AC WAVEFORMS

For all waveforms, $V_M = 1.3V$.

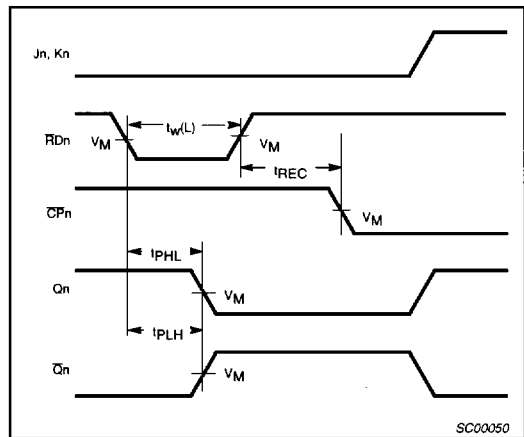
The shaded areas indicate when the input is permitted to change for predictable output performance.



Waveform 1. Propagation Delay for Data to Output, Data Setup Time and Hold Times, Clock Pulse Width, and Maximum Clock Frequency



Waveform 2. Propagation Delay for Set to Output, Set Pulse Width, and Recovery Time for Set to Clock

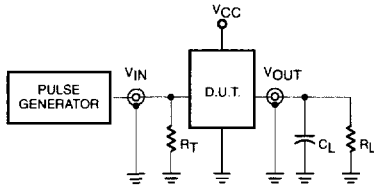


Waveform 3. Propagation Delay for Reset to Output, Reset Pulse Width, and Recovery Time for Reset to Clock

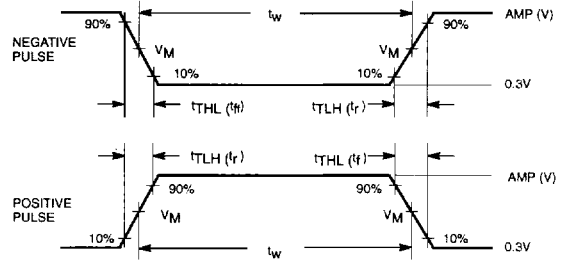
Dual J-K negative edge-triggered flip-flop

74ALS112A

TEST CIRCUIT AND WAVEFORMS



Test Circuit for Totem-pole Outputs



Input Pulse Definition

DEFINITIONS:

- R_L = Load resistor; see AC electrical characteristics for value.
- C_L = Load capacitance includes jig and probe capacitance; see AC electrical characteristics for value.
- R_T = Termination resistance should be equal to Z_{OUT} of pulse generators.

Family	INPUT PULSE REQUIREMENTS					
	Amplitude	V_M	Rep.Rate	t_w	t_{TLH}	t_{THL}
74ALS	3.5V	1.3V	1MHz	500ns	2.0ns	2.0ns

SC00005