

APPLICATIONS

- Rectification.
- Freewheel Diode.
- DC Motor Control.
- Power Supplies.
- Welding.
- Battery Chargers.

KEY PARAMETERS

V_{RRM}	2000V
$I_{F(AV)}$	335A
I_{FSM}	6000A

FEATURES

- High Surge Capability.

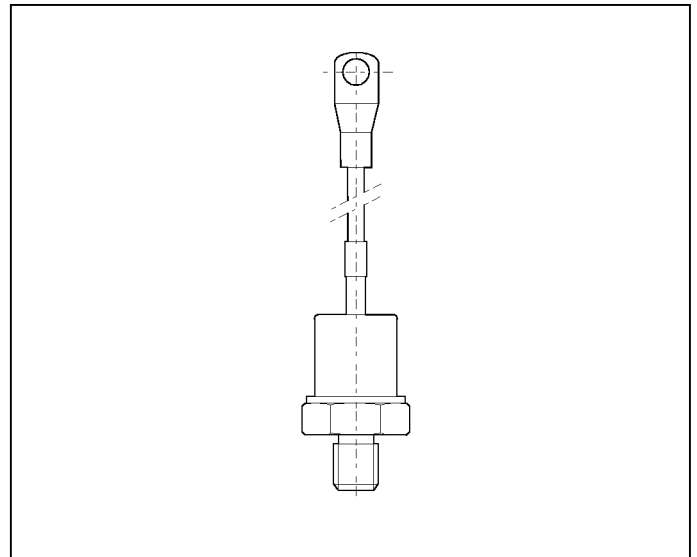
VOLTAGE RATINGS

Type Number	Repetitive Peak Reverse Voltage V_{RRM} V	Conditions
TV30 20 M or K(R)	2000	$V_{RSM} = V_{RRM} + 100V$
TV30 14 M or K(R)	1400	
TV30 10 M or K(R)	1000	
TV30 06 M or K(R)	600	

Lower voltage grades available.

M for M12 thread. K for 1/2" - 20UNF thread, R for reverse polarity.

Add C to type number for DO8C package.



Outline type code: DO9 Turn to page 6 for further information.

CURRENT RATINGS

Symbol	Parameter	Conditions	Max.	Units
Single Side Cooled				
$I_{F(AV)}$	Mean forward current	Half wave resistive load, $T_{case} = 100^{\circ}C$	335	A
$I_{F(RMS)}$	RMS value	$T_{case} = 100^{\circ}C$	525	A
I_F	Continuous (direct) forward current	$T_{case} = 100^{\circ}C$	440	A

TV30

SURGE RATINGS

Symbol	Parameter	Conditions	Max.	Units
I_{FSM}	Surge (non-repetitive) forward current	10ms half sine; $T_{case} = 175^{\circ}C$	4.8	kA
I^2t	I^2t for fusing	$V_R = 50\% V_{RRM}$ - 1/4 sine	115×10^6	A ² s
I_{FSM}	Surge (non-repetitive) forward current	10ms half sine; $T_{case} = 175^{\circ}C$	6.0	kA
I^2t	I^2t for fusing	$V_R = 0$	180×10^3	A ² s

THERMAL AND MECHANICAL DATA

Symbol	Parameter	Conditions	Min.	Max.	Units
$R_{th(j-c)}$	Thermal resistance - junction to case	dc	-	0.13	$^{\circ}C/W$
$R_{th(c-h)}$	Thermal resistance - case to heatsink	Mounting torque 35.0Nm with mounting compound	-	0.06	$^{\circ}C/W$
T_{vj}	Virtual junction temperature	Forward (conducting)	-	175	$^{\circ}C$
		Reverse (blocking)	-	175	$^{\circ}C$
T_{stg}	Storage temperature range		-55	200	$^{\circ}C$
-	Mounting Torque		30.0	35.0	Nm

CHARACTERISTICS

Symbol	Parameter	Conditions	Typ.	Max.	Units
V_{FM}	Forward voltage	At 1000A peak, $T_{case} = 25^{\circ}C$	-	1.4	V
I_{RRM}	Peak reverse current	At V_{RRM} , $T_{case} = 175^{\circ}C$	-	20	mA
Q_S	Total stored charge	$I_F = 200A$, $dI_{RR}/dt = 20A/\mu s$, $T_{case} = 25^{\circ}C$	300*	-	μC
I_{RM}	Peak recovery current		90*	-	A
t_{rr}	reverse recovery time		6.5*	-	μs
V_{TO}	Threshold voltage	At $T_{vj} = 175^{\circ}C$	-	0.8	V
r_T	Slope resistance	At $T_{vj} = 175^{\circ}C$	-	0.6	m Ω

*Typical values.

CURVES

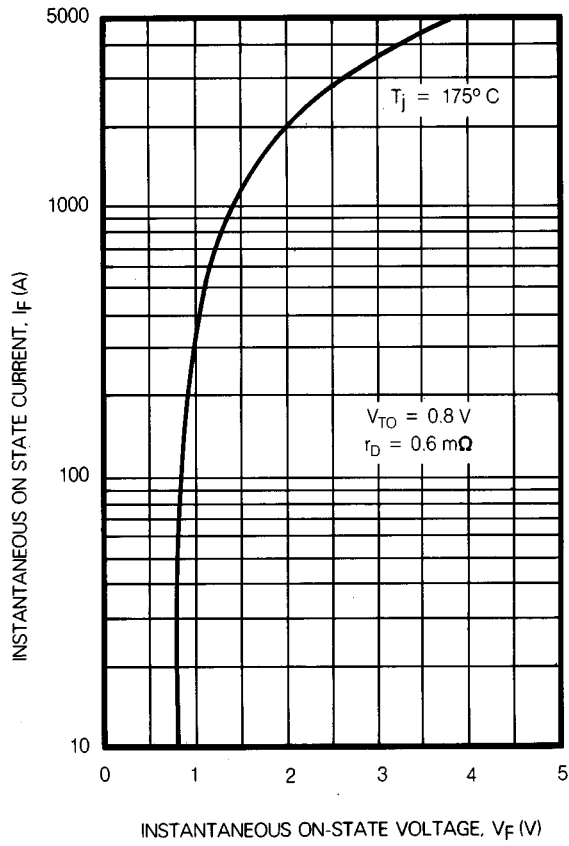


FIG. 1 MAXIMUM (LIMIT) FORWARD CONDUCTION CHARACTERISTIC

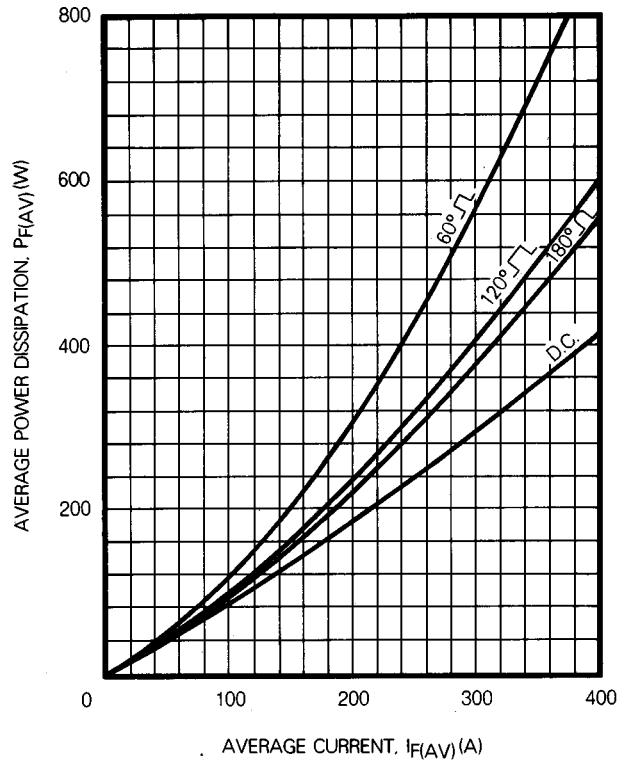


FIG. 2 MAXIMUM FORWARD POWER DISSIPATION

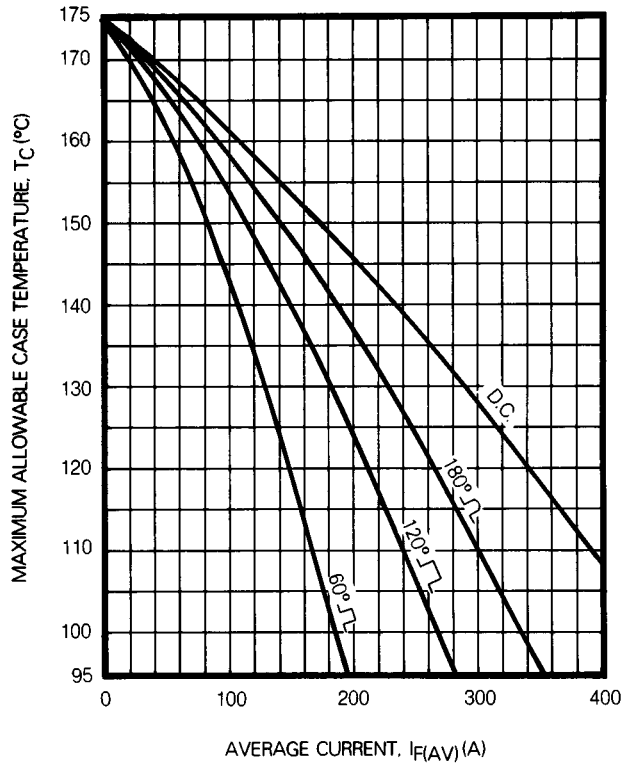


FIG. 3 MAXIMUM ALLOWABLE CASE TEMPERATURE

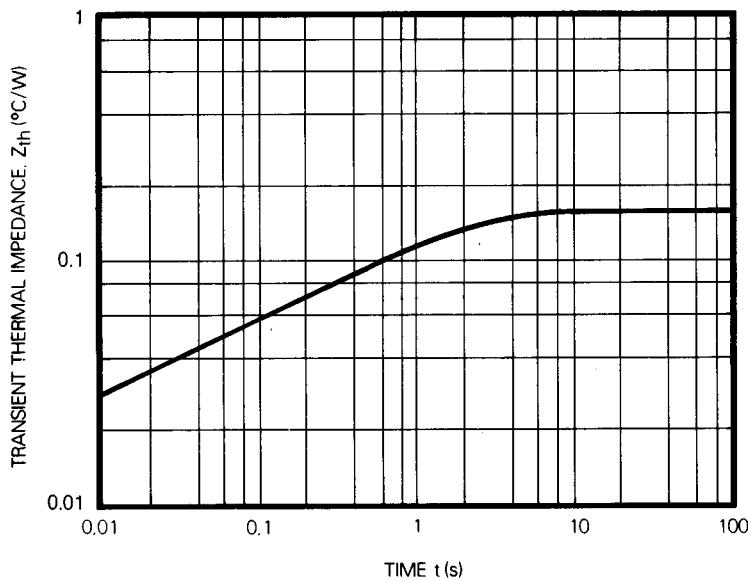


FIG. 4 TRANSIENT THERMAL IMPEDANCE - JUNCTION TO CASE

Conduction angle	Effective thermal Resistance (°C/W) Junction to case	
	Sinusoidal	Rectangular
180°	0.173	0.192
120°	0.179	0.216
60°	0.208	0.272

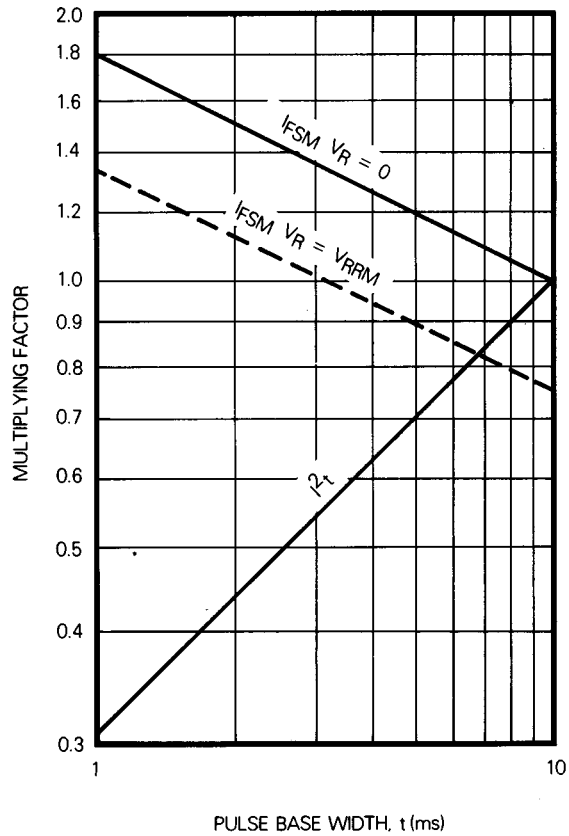


FIG. 5 MULTIPLYING FACTOR FOR NON-REPETITIVE SUB-CYCLE FORWARD CURRENT AND I^2t RATING

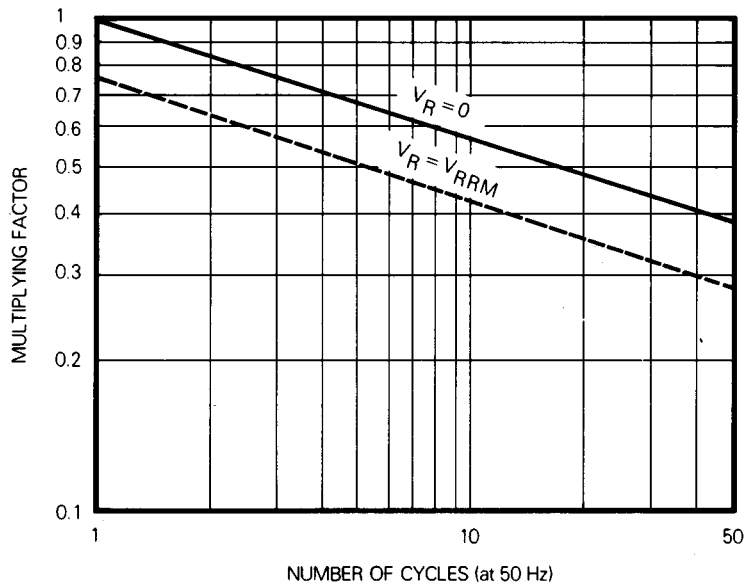
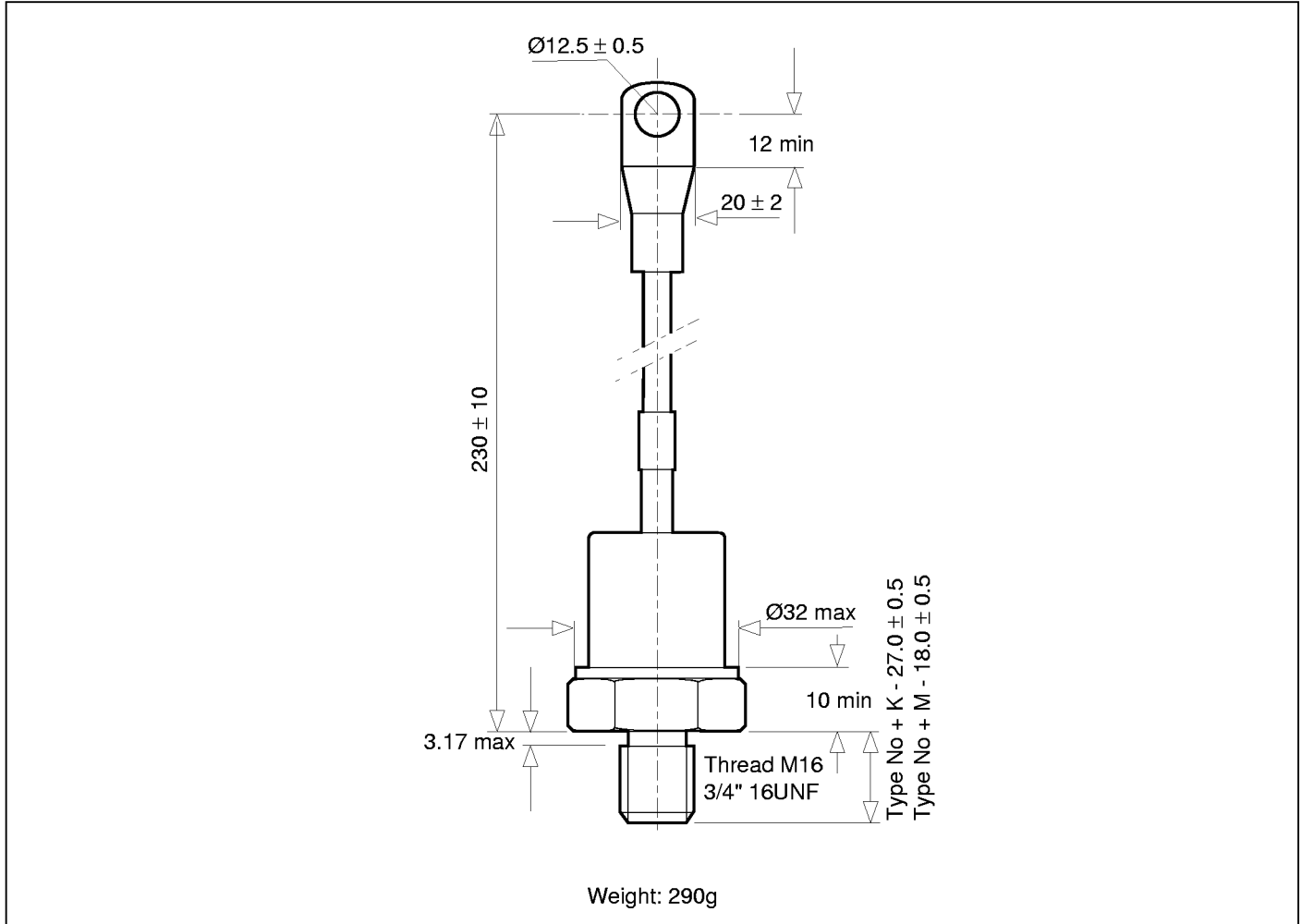


FIG. 6 MULTIPLYING FACTOR FOR NON-REPETITIVE FORWARD CURRENT

TV30

PACKAGE DETAILS - DO9

For further package information, please contact your local Customer Service Centre. All dimensions in mm, unless stated otherwise. DO NOT SCALE.



SEMICONDUCTOR

HEADQUARTERS OPERATIONS
MITEL SEMICONDUCTOR
Cheney Manor, Swindon,
Wiltshire SN2 2QW, United Kingdom.
Tel: (01793) 518000
Fax: (01793) 518411

MITEL SEMICONDUCTOR
1500 Green Hills Road,
Scotts Valley, California 95066-4922
United States of America.
Tel (408) 438 2900
Fax: (408) 438 5576/6231

Internet: <http://www.gpsemi.com>

POWER PRODUCT CUSTOMER SERVICE CENTRES

- **FRANCE, BENELUX & SPAIN** Les Ulis Cedex Tel: (1) 69 18 90 00 Fax : (1) 64 46 54 50
- **GERMANY** Munich Tel: (089) 419508-20 Fax : (089) 419508-55
- **NORTH AMERICA** Dedham, USA Tel: (781) 251 0126 Fax: (781) 251 0106
- **UK** Lincoln Tel: (01522) 500500 Fax : (01522) 510550

These are supported by Agents and Distributors in major countries world-wide.

© Mitel Corporation 1998 Publication No. DS4086-2 Issue No. 2.3 March 1998

TECHNICAL DOCUMENTATION – NOT FOR RESALE. PRINTED IN UNITED KINGDOM

This publication is issued to provide information only which (unless agreed by the Company in writing) may not be used, applied or reproduced for any purpose nor form part of any order or contract nor to be regarded as a representation relating to the products or services concerned. No warranty or guarantee express or implied is made regarding the capability, performance or suitability of any product or service. The Company reserves the right to alter without prior notice the specification, design or price of any product or service. Information concerning possible methods of use is provided as a guide only and does not constitute any guarantee that such methods of use will be satisfactory in a specific piece of equipment. It is the user's responsibility to fully determine the performance and suitability of any equipment using such information and to ensure that any publication or data used is up to date and has not been superseded. These products are not suitable for use in any medical products whose failure to perform may result in significant injury or death to the user. All products and materials are sold and services provided subject to the Company's conditions of sale, which are available on request.

All brand names and product names used in this publication are trademarks, registered trademarks or trade names of their respective owners.