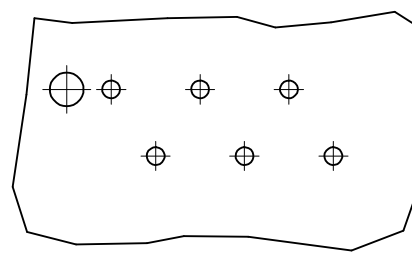
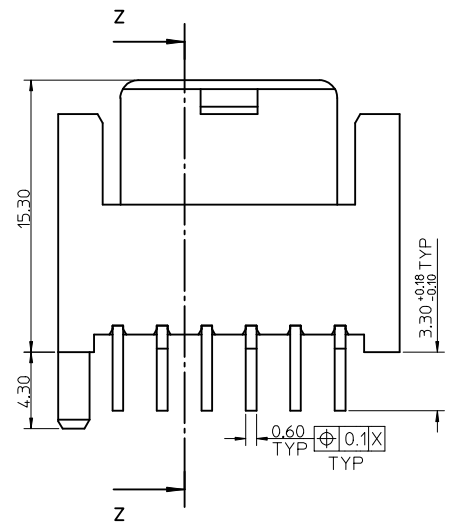
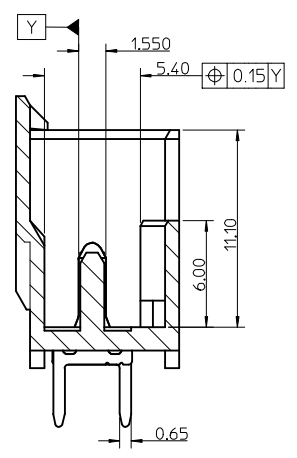
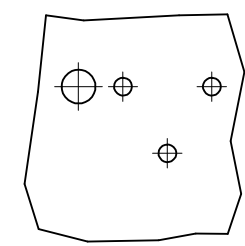


Standard PCB Layout - Even cct size

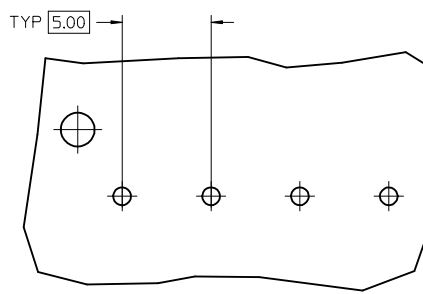
Standard PCB Layout - Odd cct size



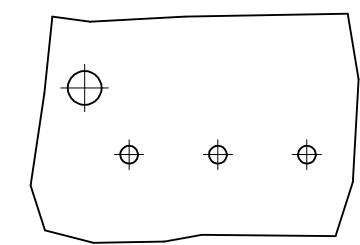
Opposite PCB Layout - Even cct size



Opposite PCB Layout - Odd cct size



Option C PCB Layout - Even cct size



Option C PCB Layout - Odd cct size

CCT	A	B	C
3	5.00	10.10	11.70
4	7.50	12.60	14.20
5	10.00	15.10	16.70
6	12.50	17.60	19.20
7	15.00	20.10	21.70
8	17.50	22.60	24.20
9	20.00	25.10	26.70
10	22.50	27.60	29.20
11	25.00	30.10	31.70
12	27.50	32.60	34.20
13	30.00	35.10	36.70
14	32.50	37.60	39.20
15	35.00	40.10	41.70

NOTES:

- MATERIAL: HOUSING - PA66 25% G/F, UL94 V-0
COLOUR: NATURAL
TERMINAL - BRASS
PLATING - 3-7um Sn over 1.27um Min Ni
- PARTS PACKED AS PER PK-90370-001
- PRODUCT SPECIFICATION: PS-93070-001
- RECOMMENDED PCB THICKNESS: 1.5+/-0.14mm

ADD 93070-0016 EC NO: IFC2018-0157 DRWN:CF/SHERO1 2017/09/04 CHKD: APPR:BRUTLE 2017/09/25 AA	QUALITY SYMBOLS ▽=0 ▽=0	GENERAL TOLERANCES (UNLESS SPECIFIED)		DIMENSION STYLE MM ONLY	SCALE 5:1	DESIGN UNITS METRIC	THIRD ANGLE PROJECTION	
		4 PLACES ± --- ± ---	mm INCH	DRAWN BY TTOURISH	DATE 2008/03/14	TITLE RAST 2.5 APPLI-MATE VERTICAL MALE HEADER 2.5 PITCH		
		3 PLACES ± 0.05 ± ---		CHECKED BY BRUTLE	DATE 2008/03/14	MOLEX INCORPORATED		
		2 PLACES ± 0.10 ± --- 1 PLACE ± 0.20 ± --- ANGULAR ± 2°		APPROVED BY BMAGUIRE	DATE 2010/11/11	MATERIAL NO. SEE SHEETS 2-4	DOCUMENT NO. SD-93070-001	SHEET NO. 1 OF 7
DRAFT WHERE APPLICABLE MUST REMAIN WITHIN DIMENSIONS		THIS DRAWING CONTAINS INFORMATION THAT IS PROPRIETARY TO MOLEX INCORPORATED AND SHOULD NOT BE USED WITHOUT WRITTEN PERMISSION						

3 CIRCUIT

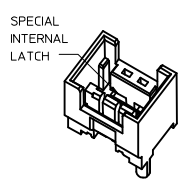
MOLEX PART NO.	HOUSING PART NO.	BLOCKED POSITION KEYS	TERMINAL VOID POSITION	CONFIGURATION	LATCH	CCT 1 LOCATION	HOUSING COLOUR
93070-0001	91698-0001	NONE	NONE		YES	STANDARD	NATURAL
93070-0002	91698-0007	b d	NONE		YES	STANDARD	NATURAL
93070-0003	91698-0010	b c	NONE		YES	STANDARD	NATURAL
93070-0004	91698-0006	d	NONE		YES	STANDARD	NATURAL
93070-0005	91698-0003	a	NONE		YES	STANDARD	NATURAL
93070-0006	91698-0009	a b	NONE		YES	STANDARD	NATURAL
93070-0007	91698-0008	a c	NONE		YES	STANDARD	NATURAL
93070-0008	91698-0002	a d	NONE		YES	STANDARD	NATURAL
93070-0009	91698-0011	c d	NONE		YES	STANDARD	NATURAL
93070-0010	91698-0004	b	NONE		YES	STANDARD	NATURAL
93070-0011	91698-0251	NONE	NONE		NO	STANDARD	NATURAL
93070-0012	91698-0018	b d	NONE		YES	STANDARD	BLUE
93070-0013	91698-0019	b c	NONE		YES	STANDARD	RED
93070-0014	91698-0020	d	NONE		YES	STANDARD	GREEN
93070-0015	91698-0021	a	NONE		YES	STANDARD	BLACK
93070-0016	91698-0252	b c INTERNAL LATCHING	NONE		NO	STANDARD	NATURAL

4 CIRCUIT

MOLEX PART NO.	HOUSING PART NO.	BLOCKED POSITION KEYS	TERMINAL VOID POSITION	CONFIGURATION	LATCH	CCT 1 LOCATION	HOUSING COLOUR
93070-0501	91698-0501	NONE	NONE		YES	STANDARD	NATURAL
93070-0502	91698-0507	b c	NONE		YES	STANDARD	NATURAL
93070-0503	91698-0507	b c	CCT 4		YES	STANDARD	NATURAL
93070-0504	91698-0512	c d	NONE		YES	STANDARD	NATURAL
93070-0505	91698-0501	NONE	CCT 1		YES	STANDARD	NATURAL
93070-0601	91698-0507	b c	NONE		YES	OPPOSITE	NATURAL
93070-0506	91698-0506	b	NONE		YES	STANDARD	NATURAL
93070-0507	91698-0514	c	NONE		YES	STANDARD	NATURAL
93070-0508	91698-0502	d	NONE		YES	STANDARD	NATURAL
93070-0509	91698-0515	a c d	NONE		YES	STANDARD	NATURAL
93070-0510	91698-0516	b c d	NONE		YES	STANDARD	NATURAL
93070-0511	91698-0517	b c d	NONE		YES	STANDARD	RED
93070-0512	91698-0518	d	NONE		YES	STANDARD	RED
93070-0513	91698-0519	b d	NONE		YES	STANDARD	NONE
93070-0514	91698-0509	d e	NONE		YES	STANDARD	NONE
93070-0515	91698-0513	a c e	NONE		YES	STANDARD	NONE
93070-0516	91698-0520	b	NONE		YES	STANDARD	RED
93070-0517	91698-0521	d	NONE		YES	STANDARD	BLUE

4 CIRCUIT CONTIN'D

MOLEX PART NO.	HOUSING PART NO.	BLOCKED POSITION KEYS	TERMINAL VOID POSITION	CONFIGURATION	LATCH	CCT 1 LOCATION	HOUSING COLOUR
93070-0518	91698-0519	b d	CCT 2,3		YES	STANDARD	NATURAL
93070-0519	91698-0505	a	NONE		YES	STANDARD	NATURAL
93070-0520	91698-0522	b e	NONE		YES	STANDARD	NATURAL



SPECIAL INTERNAL LATCH

- NOTES:
- 1. + DENOTES TERMINAL VOIDED POSITION
 - ⊕ DENOTES TERMINAL LOADED POSITION
 - ⊕⊕ DENOTES SPECIAL INTERNAL LATCHING

SEE SHEET 1 EC NO: IPG2098-0517 DRAWN BY: SHERO1 2017/09/04 CHKD: APPR: BRITTLE 2017/09/25 AA	QUALITY SYMBOLS	GENERAL TOLERANCES (UNLESS SPECIFIED)	DIMENSION STYLE	SCALE	DESIGN UNITS	THIRD ANGLE PROJECTION
	▽=0	m INCH	MM ONLY	1:1	METRIC	
	▽=0	4 PLACES ± --- ± ---	TITOURISH	DATE	TITLE	
		3 PLACES ± 0.05 ± ---	CHECKED BY	DATE	RAST 2.5 APPLI-MATE VERTICAL MALE HEADER 2.5 PITCH	
	2 PLACES ± 0.10 ± ---	BRITTLE	DATE	MOLEX INCORPORATED		
	1 PLACE ± 0.20 ± ---	APPROVED BY	DATE	SD-93070-001		
	ANGULAR ± 2 °	BMAGUIRE	2010/11/11	SHEET NO. 2 OF 7		
		MATERIAL NO.		INCORPORATED AND SHOULD NOT BE USED WITHOUT WRITTEN PERMISSION		
		DRAFT WHERE APPLICABLE MUST REMAIN WITHIN DIMENSIONS		SEE CHARTS		

5 CIRCUIT

MOLEX PART NO.	HOUSING PART NO.	BLOCKED POSITION KEYS	TERMINAL VOID POSITION	CONFIGURATION	LATCH	CCT 1 LOCATION	HOUSING COLOUR
93070-1001	91698-1001	NONE	NONE		YES	STANDARD	NATURAL
93070-1002	91698-1004	c d	NONE		YES	STANDARD	NATURAL
93070-1003	91698-1008	a d f	NONE		YES	STANDARD	NATURAL
93070-1101	91698-1001	NONE	NONE		YES	OPPOSITE	NATURAL
93070-1004	91698-1009	d	NONE		YES	STANDARD	NATURAL
93070-1005	91698-1007	a b e f	NONE		YES	STANDARD	NATURAL
93070-1006	91698-1011	b c d e	NONE		YES	STANDARD	NATURAL
93070-1007	91698-1014	c d	NONE		YES	STANDARD	RED
93070-1008	91698-1017	a b e f	NONE		YES	STANDARD	BLUE
93070-1009	91698-1016	b c d e	NONE		YES	STANDARD	BLUE
93070-1010	91698-1018	d e	NONE		YES	STANDARD	NATURAL
93070-1011	91698-1019	b d e	NONE		YES	STANDARD	NATURAL
93070-1012	91698-1020	a c f	NONE		YES	STANDARD	NATURAL
93070-1013	91698-1021	a b c d	NONE		YES	STANDARD	NATURAL
93070-1014	91698-1022	a b d e	NONE		YES	STANDARD	NATURAL
93070-1015	91698-1023	a b c e	NONE		YES	STANDARD	NATURAL
93070-1016	91698-1024	b d e	CCT 4		YES	STANDARD	GREEN

- NOTES:
 1. + DENOTES TERMINAL VOIDED POSITION
 ⊕ DENOTES TERMINAL LOADED POSITION

SEE SHEET 1 SEC NO: IPG2018-0157 DRAWING: SHER01 2017/09/04 CHKD: APPR: BRITTLE 2017/09/25 AA	QUALITY SYMBOLS	GENERAL TOLERANCES (UNLESS SPECIFIED)	DIMENSION STYLE	SCALE	DESIGN UNITS	THIRD ANGLE PROJECTION
	$\nabla=0$ $\nabla=0$	mm INCH 4 PLACES ± --- ± --- 3 PLACES ± 0.05 ± --- 2 PLACES ± 0.10 ± --- 1 PLACE ± 0.20 ± --- ANGULAR ± 2°	M M ONLY DRAWN BY DATE TOURISH 2008/03/14 CHECKED BY DATE BRITTLE 2008/03/14 APPROVED BY DATE BMAGUIRE 2010/11/11	1:1	METRIC	TITLE RAST 2.5 APPLI-MATE VERTICAL MALE HEADER 2.5 PITCH
	DRAFT WHERE APPLICABLE MUST REMAIN WITHIN DIMENSIONS	SEE CHARTS SIZE 1 THIS DRAWING CONTAINS INFORMATION THAT IS PROPRIETARY TO MOLEX INCORPORATED AND SHOULD NOT BE USED WITHOUT WRITTEN PERMISSION	MATERIAL NO. DOCUMENT NO. SD-93070-001	SHEET NO. 3 OF 7		
						MOLEX INCORPORATED

6 CIRCUIT

MOLEX PART NO.	HOUSING PART NO.	BLOCKED POSITION KEYS	TERMINAL VOID POSITION	CONFIGURATION	LATCH	CCT 1 LOCATION	HOUSING COLOUR
93070-1501	91698-1501	NONE	NONE		YES	STANDARD	NATURAL
93070-1502	91698-1508	d f	CCT 2, 5		YES	STANDARD	NATURAL
93070-1503	91698-1513	c e	NONE		YES	STANDARD	NATURAL
93070-1505	91698-1508	d f	NONE		YES	STANDARD	NATURAL
93070-1506	91698-1514	b d f	CCT 4, 5		YES	STANDARD	NATURAL
93070-1507	91698-1501	NONE	CCT 2		YES	STANDARD	NATURAL
93070-1508	91698-1511	c f	CCT 2		YES	STANDARD	NATURAL
93070-1509	91698-1515	d	NONE		YES	STANDARD	NATURAL
93070-1510	91698-1516	a b c e f	NONE		YES	STANDARD	NATURAL
93070-1511	91698-1507	e f	NONE		YES	STANDARD	NATURAL
93070-1512	91698-1517	d f	NONE		YES	STANDARD	GREEN
93070-1513	91698-1512	b d e f	CCT 2 4		YES	STANDARD	NATURAL
93070-1514	91698-1518	a b d f	NONE		YES	STANDARD	NATURAL
93070-1515	91698-1516	a b c e f	CCT 1		YES	STANDARD	NATURAL
93070-1516	91698-1751	NONE	NONE		NO	STANDARD	NATURAL
93070-1517	91698-1519	c d	CCT 2, 5		YES	STANDARD	NATURAL
93070-1518	91698-1520	c e g	NONE		YES	STANDARD	RED
93070-1519	91698-1521	d f	NONE		YES	STANDARD	BLACK

SEE SHEET 1 SEC NO: IPG2098-0157 DRAWING: SHER01 2017/09/04 CHKD: APPR: BRITTLE 2017/09/25	QUALITY SYMBOLS	GENERAL TOLERANCES (UNLESS SPECIFIED)	DIMENSION STYLE	SCALE	DESIGN UNITS	THIRD ANGLE PROJECTION	
	$\nabla=0$ $\nabla=0$	mm INCH 4 PLACES ± --- ± --- 3 PLACES ± 0.05 ± --- 2 PLACES ± 0.10 ± --- 1 PLACE ± 0.20 ± --- 0 PLACE ± --- ± ---	M M ONLY	DRAWN BY DATE T T O U R I S H 2008/03/14 CHECKED BY DATE B R U T T L E 2008/03/14 APPROVED BY DATE B M A G U I R E 2010/11/11	1:1	METRIC	
	DRAFT WHERE APPLICABLE MUST REMAIN WITHIN DIMENSIONS	ANGULAR ± 2 ° SEE TABLES	MATERIAL NO. SD-93070-001	DOCUMENT NO. SD-93070-001	SHEET NO. 4 OF 7	RAST 2.5 APPLI-MATE VERTICAL MALE HEADER 2.5 PITCH 	
	THIS DRAWING CONTAINS INFORMATION THAT IS PROPRIETARY TO MOLEX INCORPORATED AND SHOULD NOT BE USED WITHOUT WRITTEN PERMISSION						

7 CIRCUIT							
MOLEX PART NO.	HOUSING PART NO.	BLOCKED POSITION KEYS	TERMINAL VOID POSITION	CONFIGURATION	LATCH	CCT 1 LOCATION	HOUSING COLOUR
93070-2001	91698-2001	NONE	NONE		YES	STANDARD	NATURAL
93070-2002	91698-2006	a f	CCT 2, 6		YES	STANDARD	NATURAL
93070-2003	91698-2007	d g	CCT 4		YES	STANDARD	NATURAL
93070-2004	91698-2008	a e	CCT 4		YES	STANDARD	NATURAL
93070-2005	91698-2009	d f g	CCT 4		YES	STANDARD	NATURAL
93070-2006	91698-2006	a f	CCT 4		YES	STANDARD	NATURAL
93070-2007	91698-2003	a	NONE		YES	STANDARD	NATURAL
93070-2008	91698-2001	NONE	CCT 2		YES	STANDARD	NATURAL
93070-2009	91698-2003	a	CCT 4		YES	STANDARD	NATURAL
93070-2010	91698-2005	h	CCT 2		YES	STANDARD	NATURAL
93070-2011	91698-2010	b e g	NONE		YES	STANDARD	NATURAL
93070-2013	91698-2015	h	CCT 2		YES	STANDARD	NATURAL
93070-2014	91698-2016	all	NONE		YES	STANDARD	NATURAL
93070-2015	91698-2012	b c d e f g	NONE		YES	STANDARD	NATURAL

8 CIRCUIT							
MOLEX PART NO.	HOUSING PART NO.	BLOCKED POSITION KEYS	TERMINAL VOID POSITION	CONFIGURATION	LATCH	CCT 1 LOCATION	HOUSING COLOUR
93070-2501	91698-2501	NONE	NONE		YES	STANDARD	NATURAL
93070-2502	91698-2504	c f h i	NONE		YES	STANDARD	NATURAL
93070-2503	91698-2503	b c d h i	CCT 4, 7		YES	STANDARD	NATURAL
93070-2601	91698-2501	NONE	CCT 4, 7		YES	OPPOSITE	NATURAL
93070-2504	91698-2503	b c d h i	NONE		YES	STANDARD	NATURAL
93070-2505	91698-2507	a c e f h i	NONE		YES	STANDARD	NATURAL
93070-2506	91698-2508	a b d f h i	CCT 7, 8		YES	STANDARD	NATURAL
93070-2508	91698-2505	b c d g h i	NONE		YES	STANDARD	NATURAL
93070-2509	91698-2506	c d e h	NONE		YES	STANDARD	NATURAL
93070-2510	91698-2509	c h i	NONE		YES	STANDARD	NATURAL
93070-2511	91698-2510	c g	NONE		YES	STANDARD	NATURAL

NOTES:
 1. + DENOTES TERMINAL VOIDED POSITION
 ⊕ DENOTES TERMINAL LOADED POSITION

SEE SHEET 1 SEC NO: IPG2008-0157 DRAWING: SHER01 2017/09/04 CHKD: APPR: BRITTLE 2017/09/25	QUALITY SYMBOLS	GENERAL TOLERANCES (UNLESS SPECIFIED)	DIMENSION STYLE	SCALE	DESIGN UNITS	THIRD ANGLE PROJECTION
	$\nabla=0$ $\nabla=0$	mm INCH 4 PLACES ± --- ± --- 3 PLACES ± 0.05 ± --- 2 PLACES ± 0.10 ± --- 1 PLACE ± 0.20 ± --- ANGULAR ± 2°	MM ONLY	1:1	METRIC	
	DRAWN BY: TOURISH CHECKED BY: BRITTLE APPROVED BY: BMAGUIRE DATE: 2008/03/14 DATE: 2008/03/14 DATE: 2010/11/11	TITLE: RAST 2.5 APPLI-MATE VERTICAL MALE HEADER 2.5 PITCH		MOLEX INCORPORATED		
	DRAFT WHERE APPLICABLE MUST REMAIN WITHIN DIMENSIONS	SEE CHARTS	MATERIAL NO. SD-93070-001	SHEET NO. 5 OF 7	THIS DRAWING CONTAINS INFORMATION THAT IS PROPRIETARY TO MOLEX INCORPORATED AND SHOULD NOT BE USED WITHOUT WRITTEN PERMISSION	

9 CIRCUIT

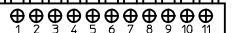
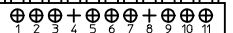
MOLEX PART NO.	HOUSING PART NO.	BLOCKED POSITION KEYS	TERMINAL VOID POSITION	CONFIGURATION	LATCH	CCT 1 LOCATION	HOUSING COLOUR
93070-3001	91698-3001	NONE	NONE		YES	STANDARD	NATURAL
93070-3002	91698-3003	ALL	CCT 2, 5, 8		YES	STANDARD	NATURAL
93070-3101	91698-3001	NONE	CCT 3, 5, 8		YES	OPPOSITE	NATURAL
93070-3003	91698-3004	c d e i j	CCT 3, 5, 8		YES	STANDARD	NATURAL
93070-3004	91698-3001	NONE	CCT 2, 5, 8		YES	STANDARD	NATURAL
93070-3005	91698-3006	b c d e f g i	CCT 3, 5, 8		YES	STANDARD	NATURAL
93070-3006	91698-3010	a d e f g j	NONE		YES	STANDARD	NATURAL

10 CIRCUIT

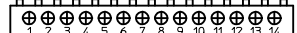
MOLEX PART NO.	HOUSING PART NO.	BLOCKED POSITION KEYS	TERMINAL VOID POSITION	CONFIGURATION	LATCH	CCT 1 LOCATION	HOUSING COLOUR
93070-3501	91698-3501	NONE	NONE		YES	STANDARD	NATURAL
93070-3502	91698-3501	NONE	CCT 2, 5, 7, 9		YES	STANDARD	NATURAL
93070-3503	91698-3504	a b d e f g i j	NONE		YES	STANDARD	NATURAL
93070-3504	91698-3501	NONE	CCT 2, 6, 9		YES	STANDARD	NATURAL

SEE SHEET 1 SEC NO: IPG2008-0157 DRAWING: SHER01 2017/09/04 CHKD: APPR: BRITTLE 2017/09/25 AA	QUALITY SYMBOLS	GENERAL TOLERANCES (UNLESS SPECIFIED)	DIMENSION STYLE	SCALE	DESIGN UNITS	THIRD ANGLE PROJECTION
	▽=0	mm INCH	MM ONLY	1:1	METRIC	
	▽=0	4 PLACES ± --- ± ---	TITOURISH	DATE	TITLE	
		3 PLACES ± 0.05 ± ---	CHECKED BY	DATE	RAST 2.5 APPLI-MATE VERTICAL MALE HEADER 2.5 PITCH	
	2 PLACES ± 0.10 ± ---	1 PLACE ± 0.20 ± ---	0 PLACE ± --- ± ---	APPROVED BY	DATE	
	ANGULAR ± 2 °		BMAGUIRE	2010/11/11	DOCUMENT NO.	
	DRAFT WHERE APPLICABLE MUST REMAIN WITHIN DIMENSIONS		SEE TABLES	MATERIAL NO.		SHEET NO.
				THIS DRAWING CONTAINS INFORMATION THAT IS PROPRIETARY TO MOLEX INCORPORATED AND SHOULD NOT BE USED WITHOUT WRITTEN PERMISSION		6 OF 7

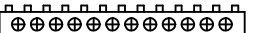
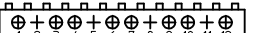
11 CIRCUIT

MOLEX PART NO.	HOUSING PART NO.	BLOCKED POSITION KEYS	TERMINAL VOID POSITION	CONFIGURATION	LATCH	CCT 1 LOCATION	HOUSING COLOUR
93070-4001	91698-4001	NONE	NONE		YES	STANDARD	NATURAL
93070-4002	91698-4001	NONE	CCT 4 & 8		YES	STANDARD	NATURAL

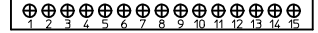
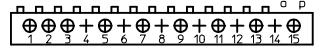
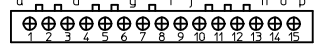
14 CIRCUIT

MOLEX PART NO.	HOUSING PART NO.	BLOCKED POSITION KEYS	TERMINAL VOID POSITION	CONFIGURATION	LATCH	CCT 1 LOCATION	HOUSING COLOUR
93070-5501	91698-5501	NONE	NONE		YES	STANDARD	NATURAL

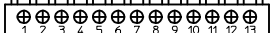
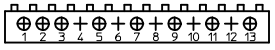
12 CIRCUIT

MOLEX PART NO.	HOUSING PART NO.	BLOCKED POSITION KEYS	TERMINAL VOID POSITION	CONFIGURATION	LATCH	CCT 1 LOCATION	HOUSING COLOUR
93070-4501	91698-4501	NONE	NONE		YES	STANDARD	NATURAL
93070-4502	91698-4501	NONE	CCT 2, 5, 8, 11		YES	STANDARD	NATURAL

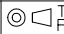
15 CIRCUIT

MOLEX PART NO.	HOUSING PART NO.	BLOCKED POSITION KEYS	TERMINAL VOID POSITION	CONFIGURATION	LATCH	CCT 1 LOCATION	HOUSING COLOUR
93070-6001	91698-6001	NONE	NONE		YES	STANDARD	NATURAL
93070-6002	91698-6003	o p	CCT 4, 6, 8, 10, 12, 14		YES	STANDARD	NATURAL
93070-6003	91698-6002	a d g i j n o p	NONE		YES	STANDARD	NATURAL

13 CIRCUIT

MOLEX PART NO.	HOUSING PART NO.	BLOCKED POSITION KEYS	TERMINAL VOID POSITION	CONFIGURATION	LATCH	CCT 1 LOCATION	HOUSING COLOUR
93070-5001	91698-5001	NONE	NONE		YES	STANDARD	NATURAL
93070-5002	91698-5001	NONE	CCT 4, 6, 8, 10, 12		YES	STANDARD	NATURAL

NOTES:
 1. + DENOTES TERMINAL VOIDED POSITION
 ⊕ DENOTES TERMINAL LOADED POSITION

SEE SHEET 1 SEC NO: IPG2018-0157 DRAWING: ISHER01 2017/09/04 CHKD: APPR: BRUTTLE 2017/09/25 AA	QUALITY SYMBOLS	GENERAL TOLERANCES (UNLESS SPECIFIED)	DIMENSION STYLE	SCALE	DESIGN UNITS	THIRD ANGLE PROJECTION
	$\nabla=0$ $\nabla=0$	mm INCH 4 PLACES ± --- ± --- 3 PLACES ± 0.05 ± --- 2 PLACES ± 0.10 ± --- 1 PLACE ± 0.20 ± --- ANGULAR ± 2 °	MM ONLY DRAWN BY DATE T TOURISH 2008/03/14 CHECKED BY DATE BRUTTLE 2008/03/14 APPROVED BY DATE BMAGUIRE 2010/11/11	1:1	METRIC	 THIRD ANGLE PROJECTION
	DRAFT WHERE APPLICABLE MUST REMAIN WITHIN DIMENSIONS	SEE CHARTS	TITLE RAST 2.5 APPLI-MATE VERTICAL MALE HEADER 2.5 PITCH MOLEX INCORPORATED MATERIAL NO. DOCUMENT NO. SD-93070-001			
			SHEET NO. 7 OF 7			

THIS DRAWING CONTAINS INFORMATION THAT IS PROPRIETARY TO MOLEX INCORPORATED AND SHOULD NOT BE USED WITHOUT WRITTEN PERMISSION