

10078995-G0X-XXULF

PLATING

0.76µm GXT (Pd Ni WITH GOLD FLASH ON CONTACT AREA)  
1.27µm NICKEL MIN UNDERPLATE

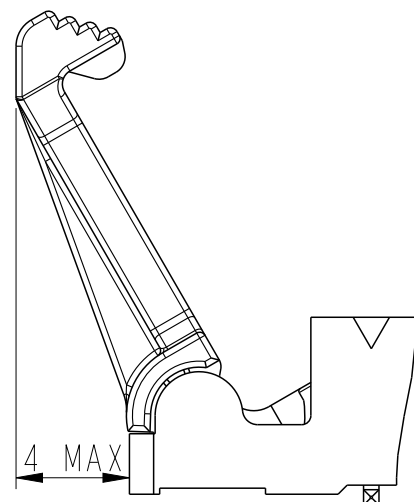
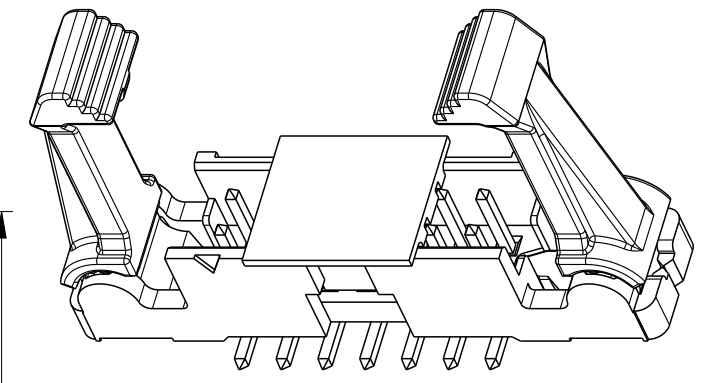
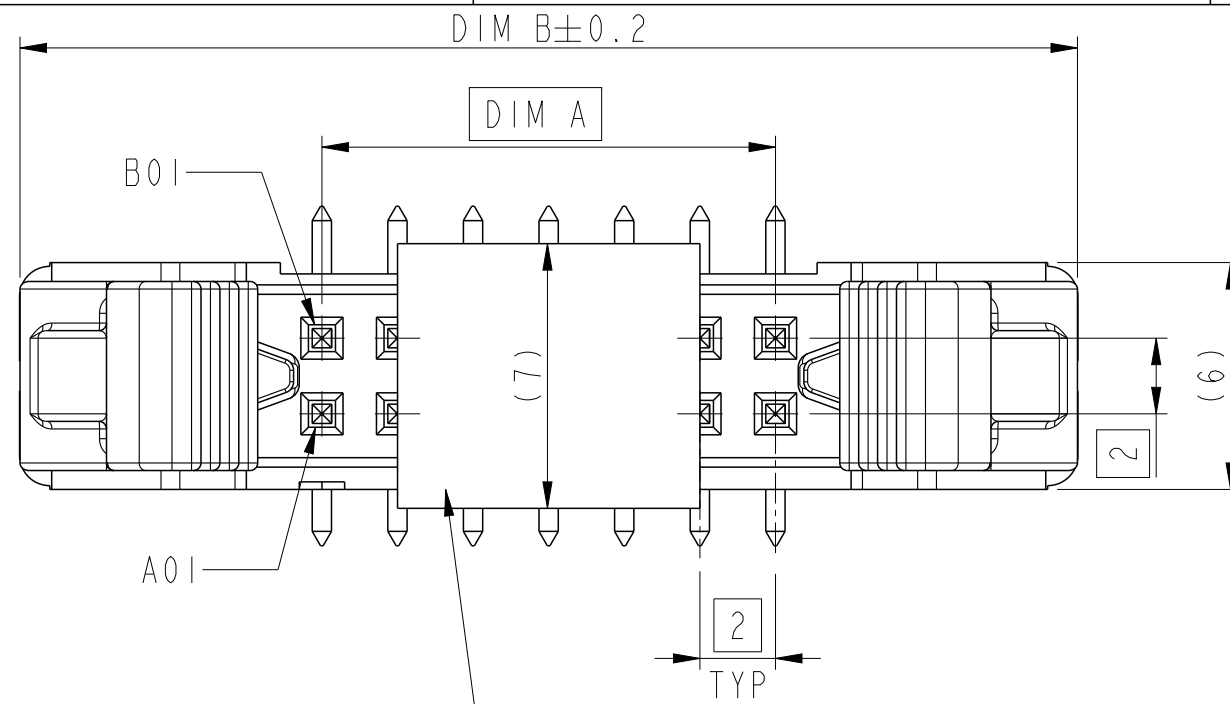
LATCH TYPE:

1-STANDARD : FOR USE WITH STRAIN-RELIEF 10073978  
2-LOW PROFILE : FOR USE WITHOUT STRAIN-RELIEF

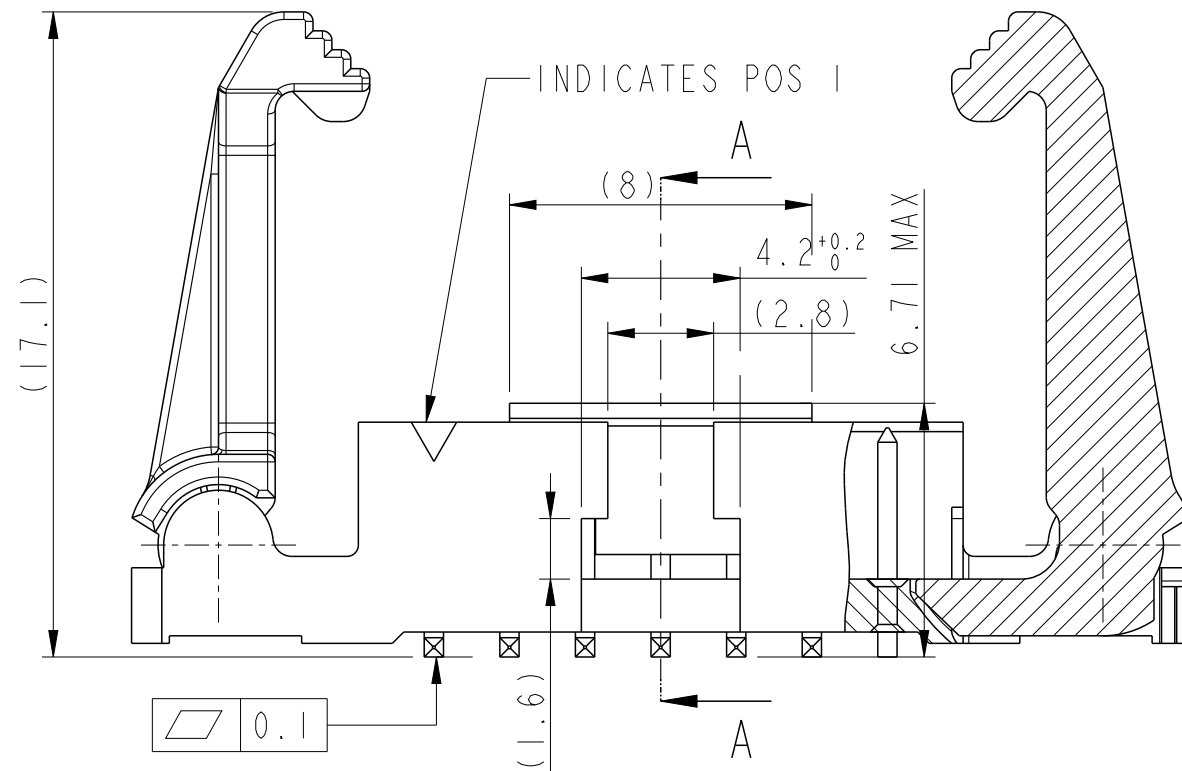
SIZE: TOTAL NB OF POSITIONS  
SEE SHEET 2

PACKAGING. SEE NOTE 4

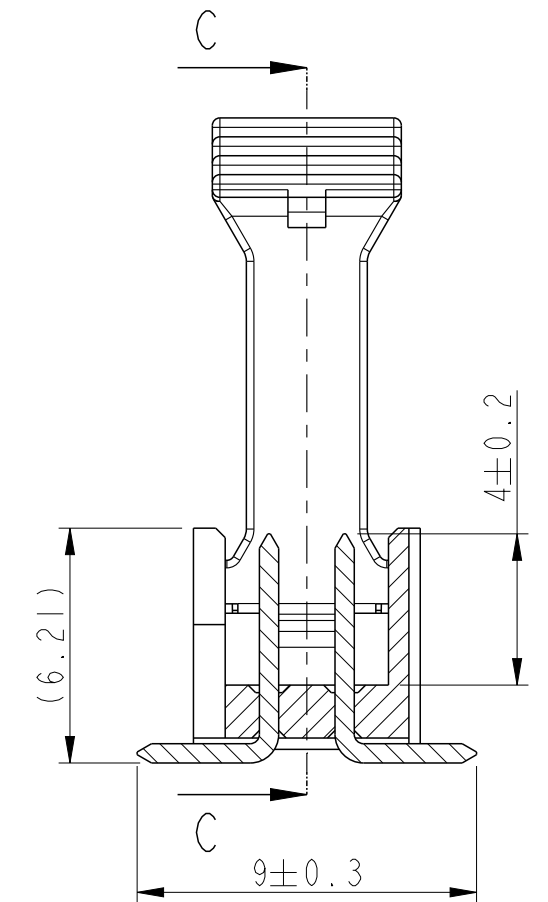
RoHS COMPATIBLE, SEE NOTE 5.



OPENED POSITION



SECTION C-C  
VIEW WITH STANDARD LATCH



SECTION A-A

NOTES :

1- MATERIAL HOUSING: HIGH TEMPERATURE THERMOPLASTIC  
UL 94 VO . COLOR CREAM.  
- MATERIAL LATCH : HIGH TEMPERATURE THERMOPLASTIC  
UL 94 VO . COLOR BLACK.

2 - MATERIAL TERMINAL : COPPER ALLOY  
3- PIN RETENTION IN EITHER DIRECTION : 7N MIN

4 - PACKAGING

U= TUBE WITHOUT PICK UP CAP.  
B= TUBE WITH PICK UP CAP.  
A= TAPE & REEL WITH PICK UP CAP.

5- ROHS COMPATIBLE PRODUCT SPECIFICATIONS :

a- PLATING :

"LF" MEANS THE PRODUCT IS LEAD FREE  
2µm MINIMUM MATTE TIN ON TAIL OVER 1.27 µm NICKEL UNDERPLATE

b- MANUFACTURING PROCESS COMPATIBILITY

THE HOUSING WILL WITHSTAND EXPOSURE TO 260 °C PEAK TEMPERATURE FOR 30 SECONDS MAX IN A CONVECTION, INFRA RED, VAPOR PHASE OR REFLOW OVEN

c- LABELLING

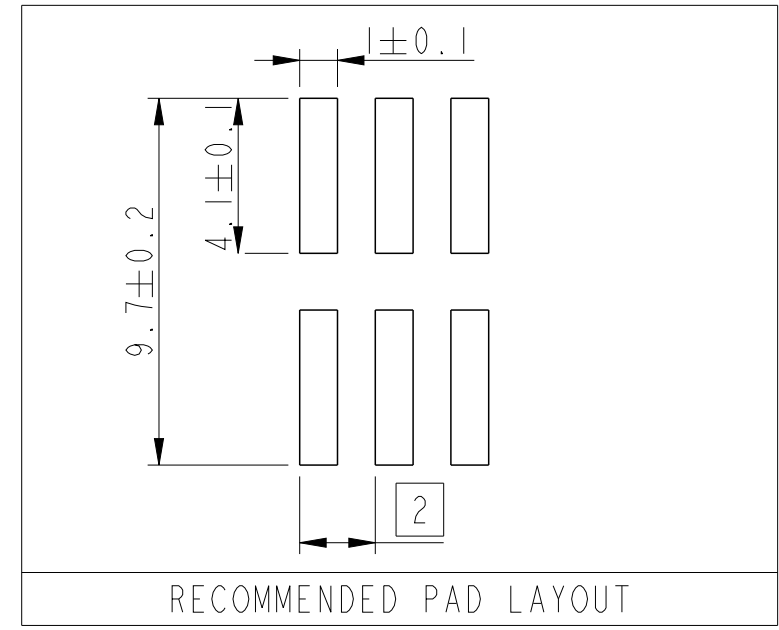
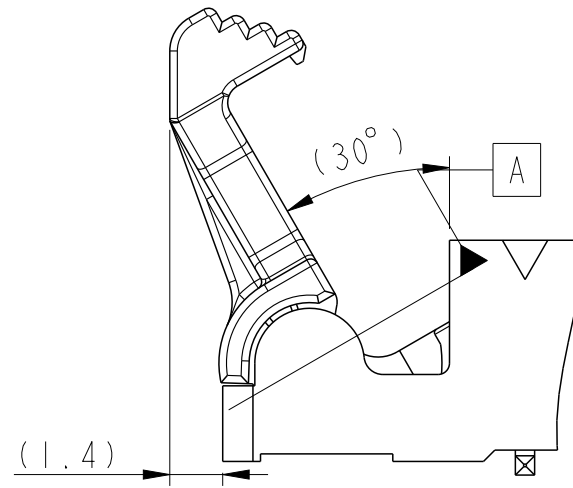
MEETS PACKAGING SPECS AS PER GS-14-920.

d- THIS PRODUCT MEETS EUROPEAN DIRECTIVES

AND OTHER COUNTRY REGULATION AS DESCRIBED IN GS-47-0004.

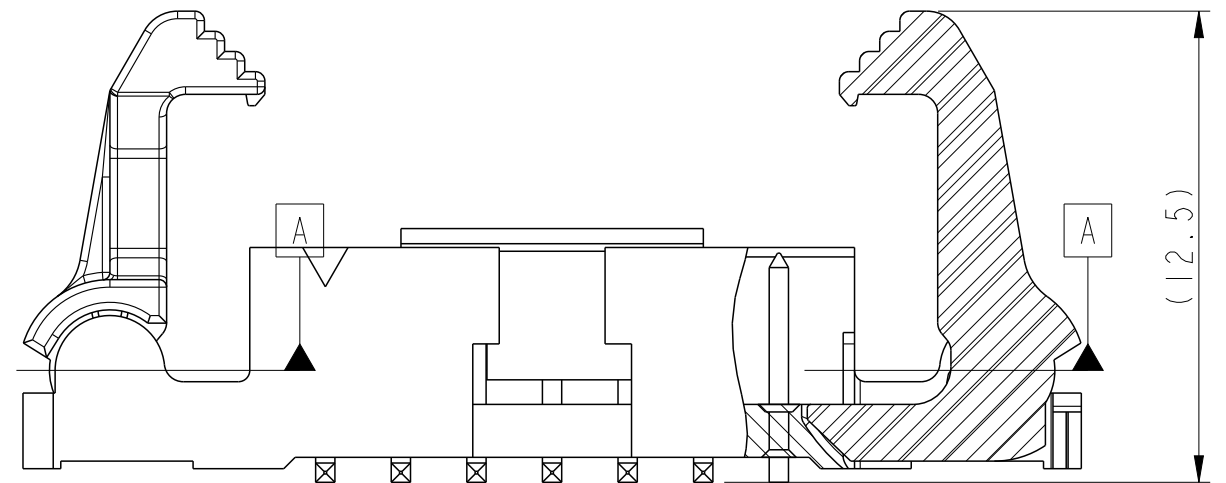
spec ref	-	dr	Sawanth, Ambaa	2020/12/10	projection	mm	size	A3	scale	5:1	
tolerance std	ISO 406 ISO 1101	eng	Detouillon, Da	2021/06/14			ecn no	ELX-F-41176-1			
TOLERANCES UNLESS OTHERWISE SPECIFIED		chr	-	-			rel level	Released			
surface	linear	appr	Wollin, Severi	2021/06/14	product family	-	rel level	Released			
ISO 1302	angular	0°	±2°	Amphenol FCI	EJECT LATCH HEADER VERTICAL SMT		cat. no.	-	Product - Customer Drw	sheet 1 of 2	
		0.X	±0.3				dwg no	10078995		rev	D
		0.XX	±0.10								
		0.XXX	±0.05								

SIZE	POSITIONS	DIM A	DIM B
06	2X3	4.00	20.00
08	2X4	6.00	22.00
10	2X5	8.00	24.00
12	2X6	10.00	26.00
14	2X7	12.00	28.00
24	2X12	22.00	38.00
30	2X15	28.00	44.00
40	2X20	38.00	54.00
44	2X22	42.00	58.00
50	2X25	48.00	64.00



PRODUCT USED IN COMBINATION WITH IDC RECEPTACLE P/Ns 89361 & 89941

<p>WITH STRAIN RELIEF ACCESSORY -STANDARD LATCH-</p>	<p>WITHOUT STRAIN RELIEF ACCESSORY -LOW PROFILE LATCH-</p>
----------------------------------------------------------	----------------------------------------------------------------



SECTION C-C

EXAMPLE 10078995-G02-14YLF  
LOW PROFILE LATCH

spec ref	-	dr	Sawanth, Ambaa	2020/12/10	projection	mm	size	A3	scale	5:1
tolerance std	ISO 406 ISO 1101	eng	Detouillon, Da	2021/06/14			ecn no	ELX-F-41176-1		
TOLERANCES UNLESS OTHERWISE SPECIFIED		chr	-	-			rel level	Released		
surface	linear	0.X	±0.3		product family		-	-		
		0.XX	±0.10		EJECT LATCH HEADER		dwg no	10078995		
		0.XXX	±0.05		VERTICAL SMT		rev	D		
ISO 1302	angular	0°	±2°	cat. no.	-	Product - Customer Drw		sheet 2 of 2		

© 2020 Amphenol Corporation  
 Amphenol FCI