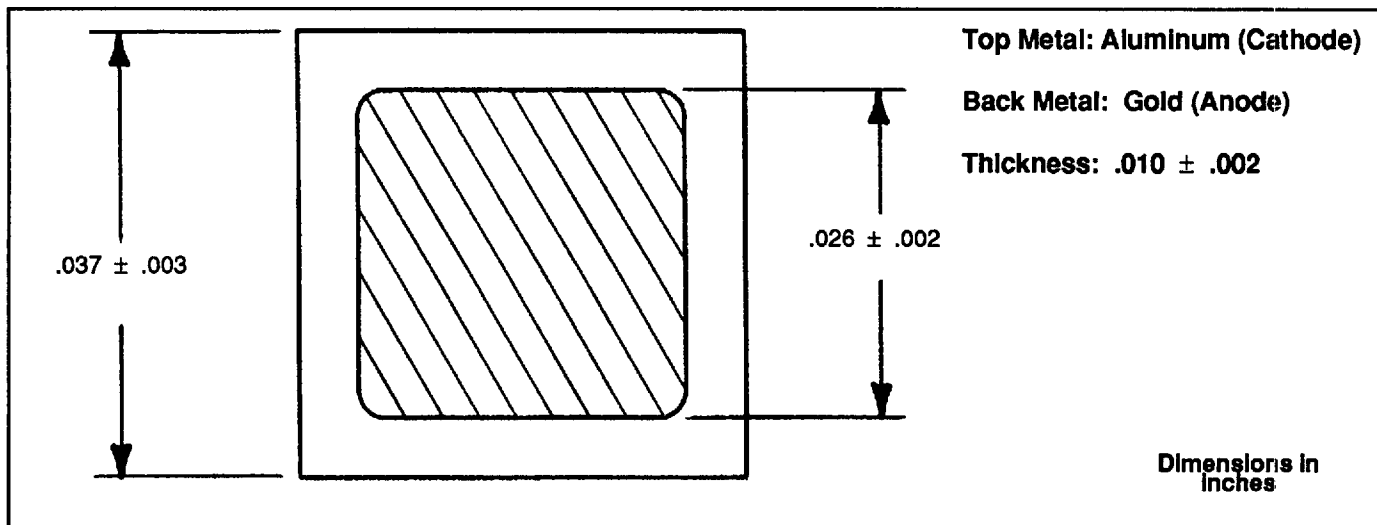


3 Watt Zener Diode Die



Features

- The 3 Watt Zener Die is designed to meet the JEDEC IN5063 through IN4097 types. The die is fully passivated using silicon dioxide and silicon nitride protection over the active junction for maximum reliability. The back contact is gold and is compatible with eutectic or epoxy mounting processes. The top contact is an aluminum-silicon alloy and is suitable for a variety of wire bonding techniques.
- Zener voltage and reverse leakage currents, are 100% electrically tested. All other parameters are sample evaluated in a double slug package.

3 Watt Zener Diode Die

Electrical Characteristics (TA = 25°C)

Type	Nominal ³ Zener Voltage Vz @ IZT Volts	Max Zener ¹ Impedance Zz @ IZT Ohms	Dynamic ^{1,2} Zener Impedance Zzk @ IZT Ohms	Test Current IZT mA	Maximum Reverse Leakage Test V IR Volts μA		Typical ¹ Temp. Coefficient Tc @ IZT %/°C	Maximum ¹ Surge Current Amperes	Maximum ¹ Continuous Current IZM mA
	OAC5063	6.8	2	----	75	4.9	500	0.04	10.0
OAC5064	7.5	2	----	75	5.4	300	0.04	8.0	400
OAC5065	8.2	3	----	75	5.9	200	0.05	7.0	360
OAC5066	9.1	3	----	75	7.0	100	0.05	6.0	330
OAC5067	10.0	4	500	75	8.0	40	0.06	5.0	300
OAC5068	11.0	5	500	70	8.8	20	0.06	4.5	275
OAC4883	12.0	5	550	65	9.6	10	0.07	4.0	250
OAC5069	13.0	6	550	50	10.4	10	0.07	4.0	230
OAC5070	14.0	6	600	50	11.2	10	0.07	4.0	210
OAC5071	15.0	6	600	50	12.0	10	0.07	3.0	200
OAC5072	16.0	7	600	50	12.8	5	0.07	3.0	185
OAC5073	18.0	8	650	40	14.4	5	0.08	2.0	170
OAC4884	20.0	9	650	40	16.0	5	0.08	2.0	150
OAC5074	22.0	10	650	30	17.6	5	0.08	2.0	135
OAC5075	24.0	10	700	30	19.2	5	0.08	1.5	125
OAC5076	27.0	12	700	25	21.6	1	0.09	1.5	110
OAC5077	30.0	15	750	25	24.0	1	0.09	1.5	100
OAC5078	33.0	21	800	20	26.4	1	0.09	1.2	90
OAC5079	36.0	21	850	20	28.8	1	0.09	1.0	85
OAC5081	40.0	27	900	20	32.0	1	0.095	1.0	75
OAC5083	45.0	37	1000	15	37.0	1	0.095	0.8	65
OAC5085	50.0	50	1100	15	40.0	1	0.095	0.8	60
OAC5087	56.0	70	1300	10	44.0	1	0.095	0.7	55
OAC5088	60.0	70	1500	10	48.0	1	0.095	0.6	50
OAC5089	62.0	90	1700	10	52.0	1	0.095	0.6	45
OAC5091	70.0	90	2000	10	56.0	1	0.095	0.6	45
OAC5092	75.0	100	2500	10	60.0	1	0.095	0.5	40
OAC5093	80.0	115	2800	10	64.0	1	0.095	0.4	35
OAC4096	90.0	150	3000	8	72.0	1	0.095	0.2	33
OAC4097	100	175	3100	5	80.0	1	0.100	0.2	30

¹ These parameters are verified by wafer lot acceptance testing.

² Superimposed 250μA on IZT at test voltage.

³ Standard Vz tolerance = ± 5% of nominal.

Optek reserves the right to make changes at any time in order to improve design and to supply the best product possible.

Optek Technology, Inc. 1215 W. Crosby Road, Carrollton, Texas 75006 (214) 323-2200 TLX 323-2200 Fax (214) 323-2396