

Technical data

for Headers - Wave soldering (Page 11/12)
Socket Connector (Page 14)
Transition Connector (Page 15)

Electrical specification

Contact resistance: $\leq 6 \text{ m}\Omega$
Test voltage: 750 Volt eff.
Operating voltage: 30 V
Operating current: 0.5 A
(Single contact at 25°C)

Mechanical specification

Operating temperature: -40°C to +125°C
Humidity: 75% rel. Humidity to
DIN 40 040 / MIL-C-21 097B
Insertion force: 0.18 N/Contact
Mating cycles: > 100

Material and surface

Contact surface
Contact area: 0.75 μm Au over 1.25 μm Ni
MIL-G-45 204B class 00
Material – Ins. body: PBT, glass-filled
grey, RAL 7035
Flammability UL 94 V-O
Material – Contact: copper alloy

Technical data

for Header SMT (Page 13/22)
Socket SMT (Page 21)

Electrical specification

Contact resistance: $\leq 6 \text{ m}\Omega$
Test voltage: 750 Volt eff.
Operating voltage: 30 V
Operating current: 0.5 A
(Single contact at 25°C)

Mechanical specification

Operating temperature: -40°C to +125°C
SMT-solder temperature
max. 30s on the
solder area: 220°C
Humidity: 75% rel. Humidity to
DIN 40 040 / MIL-C-21 097B
Insertion force: 0.18 N/Contact
Mating cycles: > 100

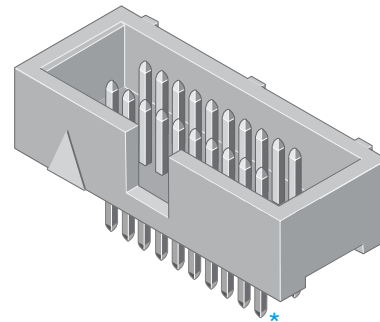
Material and surface

Contact surface
Contact area: 0.75 μm Au over 1.25 μm Ni
MIL-G-45 204B class 00
Material – Ins. body: PET, GV to UL 94 V-O,
natural-colored
Material – Contact: copper alloy

Header, series 515, straight solder pins 2-row, Grid 1.27 x 2.54 mm

Features

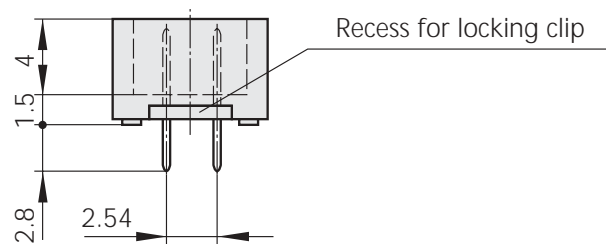
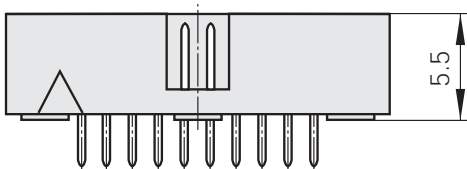
- protected header
- center polarization
- pin cross section 0.38 x 0.38 mm
- 10-20-30-40-50 positions available



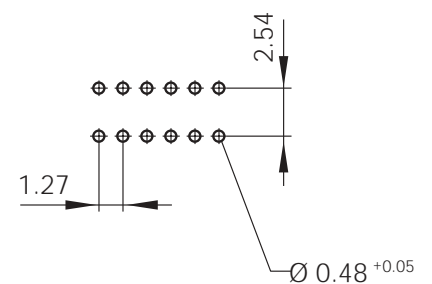
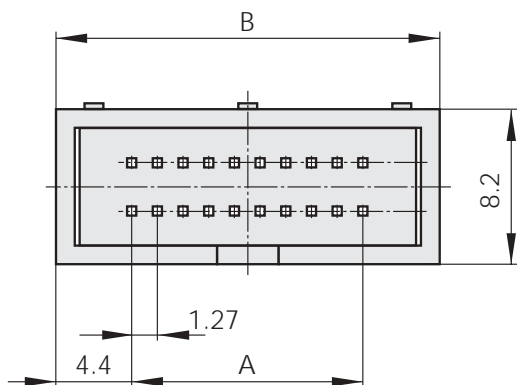
* termination area with embossed rounded corner

Technical data see page 10

Assembly with Locking clip see page 16



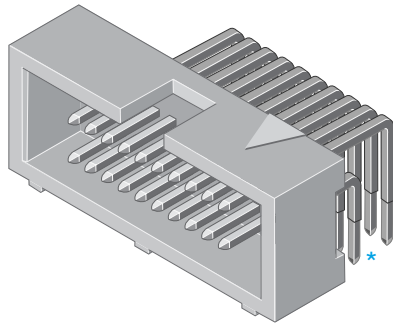
PCB pattern



Ordering information and dimensions (All dimensions in mm)

Position	Part number	Dim. A	Dim. B	Number of parts per packaging unit		
				XXX = 003 Tube	XXX = 010 Box	XXX = 050 Tape/Reel
10	515.067.035.010.XXX	5.08	13.88	---	100	---
20	515.067.035.020.XXX	11.43	20.23	---	120	---
30	515.067.035.030.XXX	17.78	26.58	---	80	---
40	515.067.035.040.XXX	24.13	32.93	---	60	---
50	515.067.035.050.XXX	30.48	39.28	---	60	---

Header, series 515, right-angle solder pins
2-row, Grid 1.27 x 2.54 mm



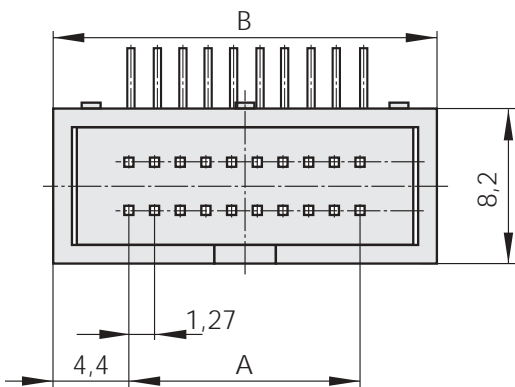
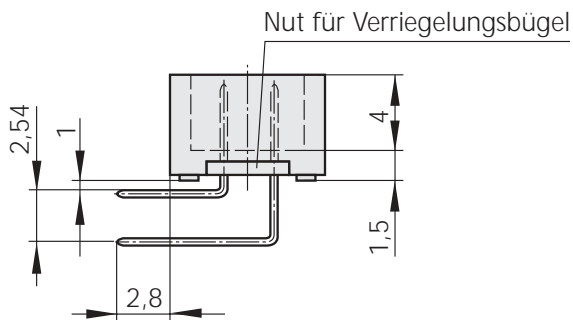
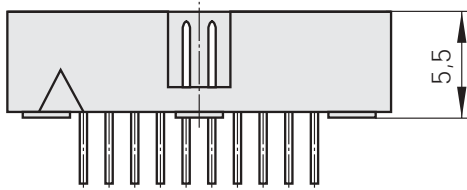
Features

- protected header
- center polarization
- pin cross section 1.27 x 2.54 mm
- 10-20-30-40-50 positions available

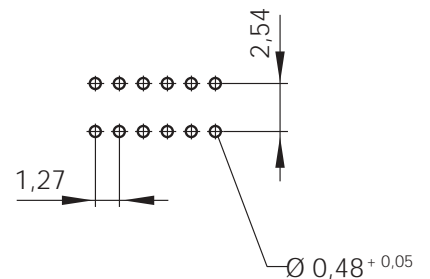
* termination area with embossed rounded corner

Technical data see page 10

Assembly with Locking clip see page 16



Montagemaß (Lötbild)



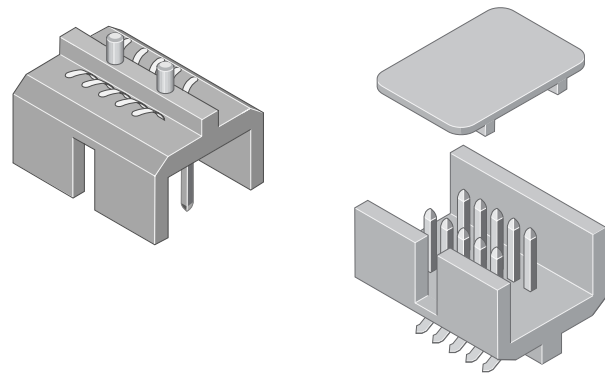
Ordering information and dimensions (All dimensions in mm)

Position	Part number	Dim. A	Dim. B	Number of parts per packaging unit		
				XXX = 003 Tube	XXX = 010 Box	XXX = 050 Tape/Reel
10	515.267.035.010.XXX	5.08	13.88	---	100	---
20	515.267.035.020.XXX	11.43	20.23	---	120	---
30	515.267.035.030.XXX	17.78	26.58	---	80	---
40	515.267.035.040.XXX	24.13	32.93	---	60	---
50	515.267.035.050.XXX	30.48	39.28	---	60	---

Header, series 515, straight, SMT
2-row, Grid 1.27 x 2.54 mm

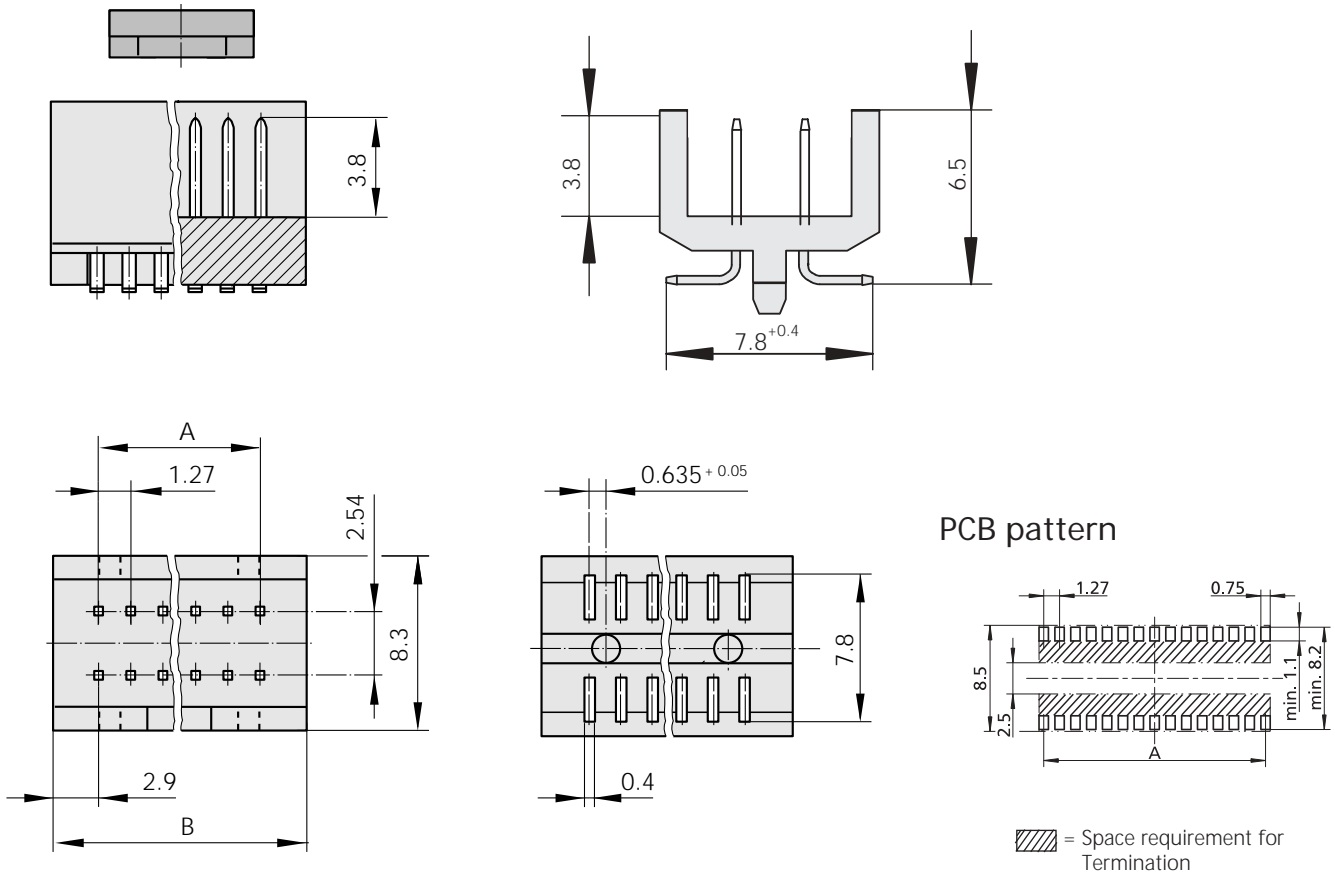
Features

- with vacuum adapter plate
- SMT version
- pin cross section 0.38 x 0.38 mm
- 10-20-30-40-50 positions available
- 2 integrated guide pins



Technical data see page 10

Assembly with Locking clip and locking latches see page 16/17



Ordering information and dimensions (All dimensions in mm)

Position	Part number	Dim. A	Dim. B	Dim. C	Number of parts per packaging unit		
					XXX = 003 Tube	XXX = 010 Box	XXX = 050 Tape/Reel
10	515.568.035.010.XXX	5.08	10.88	3.81	39	---	400
20	515.568.035.020.XXX	11.43	17.23	10.16	25	---	400
30	515.568.035.030.XXX	17.78	23.58	16.51	18	---	400
40	515.568.035.040.XXX	24.13	29.93	22.86	14	---	400
50	515.568.035.050.XXX	30.48	36.28	29.21	10	---	400