

SCHOTTKY BARRIER DIODE

39 DE 9097250 0002257 0

Unit in mm

15GWJ11 40V 15A

MAXIMUM RATINGS

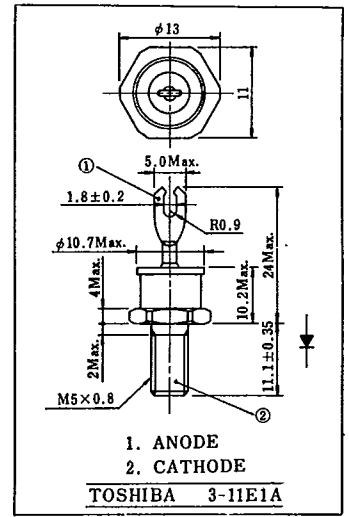
CHARACTERISTIC	SYMBOL	RATING	UNIT
Repetitive Peak Reverse Voltage	15FWJ11	30	V
	15GWJ11	40	
Average Forward Current	$I_{F(AV)}$	15	A
Peak One Cycle Surge Forward Current (Non-Repetitive)	I_{FSM}	400 (50Hz)	A
Junction Temperature	T_j	-40~150	°C
Storage Temperature Range	T_{stg}	-40~150	°C
Stud Torque		20	kgcm

ELECTRICAL CHARACTERISTICS

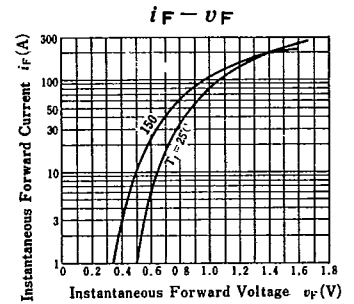
CHARACTERISTIC	SYMBOL	CONDITION	MIN.	TYP.	MAX.	UNIT
Peak Forward Voltage	$V_{FM(1)}$	$I_{FM}=15A, T_a=25^\circ C$	-	-	0.68	V
	$V_{FM(2)}$	$I_{FM}=15A, T_a=150^\circ C$	-	-	0.55	V
Repetitive Peak Reverse Current	I_{RRM}	$V_{RRM}=\text{Rated}, T_j=150^\circ C$	-	-	20	mA
Reverse Recovery Time	t_{rr}	$I_F=30A, \frac{dI}{dt}=30A/\mu s, T_a=25^\circ C$	-	-	200	ns
Junction Capacity	C_j	$V_R=10V, f=100Hz$	-	0.5	-	nF
Thermal Resistance (Note 1)	$R_{th(j-c)}$	DC	-	-	2.0	°C/W

Notes : 1. Junction to Case.

2. Setting of the heat sink must be investigated also including a reverse power dissipation.



AC23A is furnished as an accessory.



30GWJ11 40V 30A

MAXIMUM RATINGS

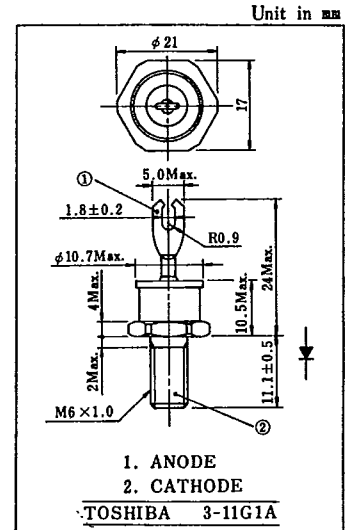
CHARACTERISTIC	SYMBOL	RATING	UNIT
Repetitive Peak Reverse Voltage	30FWJ11	30	V
	30GWJ11	40	
Average Forward Current	$I_{F(AV)}$	30	A
Peak One Cycle Surge Forward Current (Non-Repetitive)	I_{FSM}	500 (50Hz)	A
Junction Temperature	T_j	-40~150	°C
Storage Temperature Range	T_{stg}	-40~150	°C
Stud Torque		30	kgcm

ELECTRICAL CHARACTERISTICS

CHARACTERISTIC	SYMBOL	CONDITION	MIN.	TYP.	MAX.	UNIT
Peak Forward Voltage	$V_{FM(1)}$	$I_{FM}=30A, T_a=25^\circ C$	-	-	0.68	V
	$V_{FM(2)}$	$I_{FM}=30A, T_a=150^\circ C$	-	-	0.55	V
Repetitive Peak Reverse Current	I_{RRM}	$V_{RRM}=\text{Rated}, T_j=150^\circ C$	-	-	30	mA
Reverse Recovery Time	t_{rr}	$I_F=30A, \frac{dI}{dt}=30A/\mu s, T_a=25^\circ C$	-	-	200	ns
Junction Capacity	C_j	$V_R=10V, f=100Hz$	-	1.0	-	nF
Thermal Resistance (Note 1)	$R_{th(j-c)}$	DC	-	-	1.0	°C/W

Notes : 1. Junction to Case.

2. Setting of the heat sink must be investigated also including a reverse power dissipation.



AC34 is furnished as an accessory.

