

REV.	ECN.NO.	DATE
C	修改料號	11/14/03

Part Number: WPO-XXD4T22W

Notes:

*Material

Body : Nylon 66 UL 94V-0 Rated; Color:Transparent
 Contacts : Brass
 Plating: Tin over Nikel Plating

*Electrical Specification

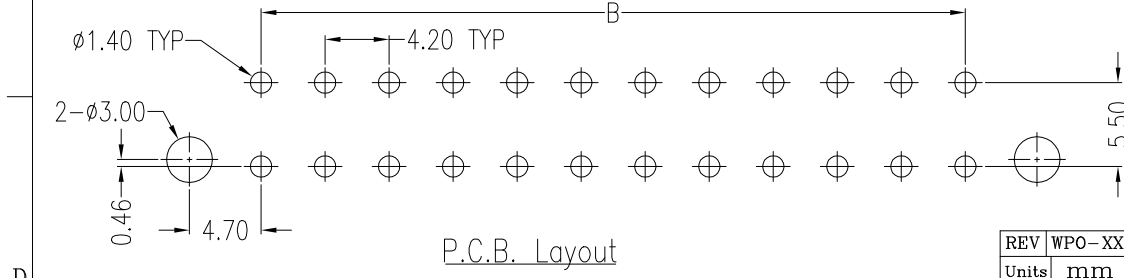
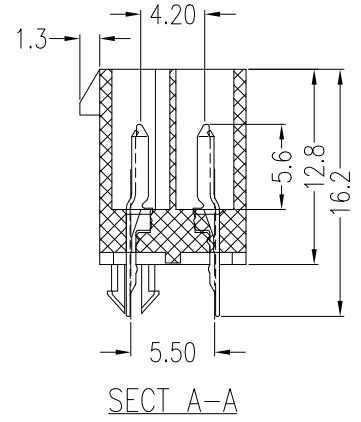
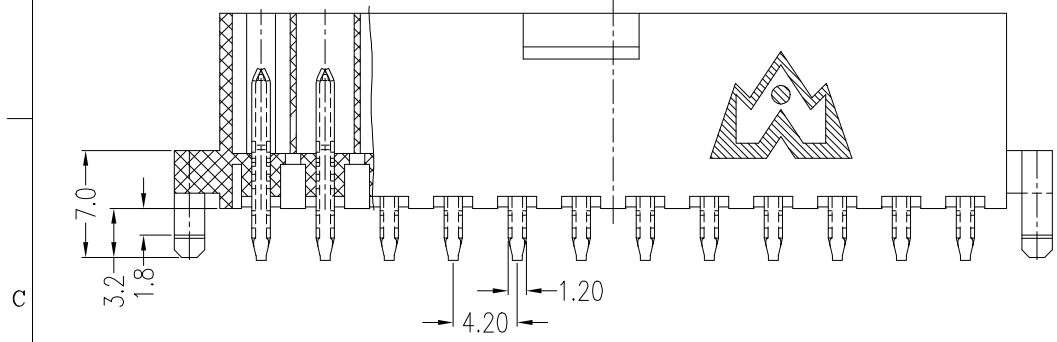
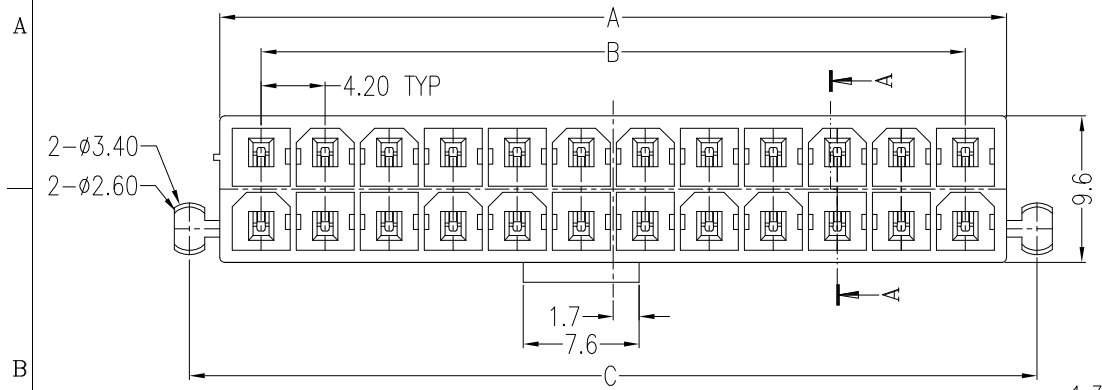
Contact Resistance : 20 Milliohms
 Current Resistance : 5 Ampere
 Insulation Resistance : 1000 Megohms At 500 VDC.
 Operating Temperature : -40°C to +105°C

*How to order:

WPO-XX D 4 T 2 2 W
 WINNING MARK
 2:With Post
 2:Transparent
 T:Tin
 4:Pitch 4.20mm
 D:Double Row
 Number of contacts
 Series NO.

Dimensions mm/Inch

	A	B	C
2/4	9.60/0.378	4.20/0.165	13.60/0.535
3/6	13.80/0.543	8.40/0.331	17.80/0.701
4/8	18.00/0.709	12.60/0.496	22.00/0.866
8/16	34.80/1.370	29.40/1.157	38.80/1.528
9/18	39.00/1.535	33.60/1.323	43.00/1.693
10/20	43.20/1.700	37.80/1.488	47.20/1.858
12/24	51.60/2.032	46.20/1.819	55.60/2.189



REV WPO-XX-2-T-4-2 → WPO-XX-D4T22W				Drawing By		Data	
Units	mm	Scale	Tolerance Unless Otherwise Specified		Reviewed By		Data
	.X	~	±0.38		Approval By		Data
	.XX	~	±0.25		Third Angle Projection		
	.XXX	~	±0.20		F/Name		WPO-ALLPIN-AN-W067
	Angle	~	± 3°		REV		C

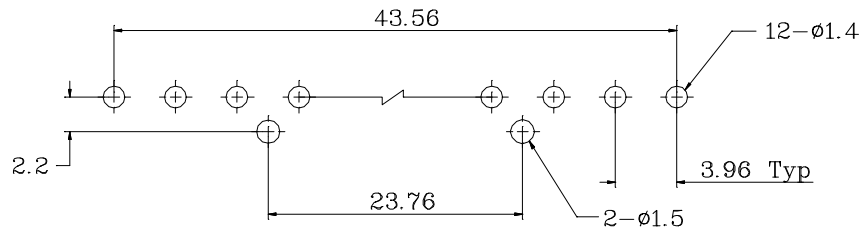
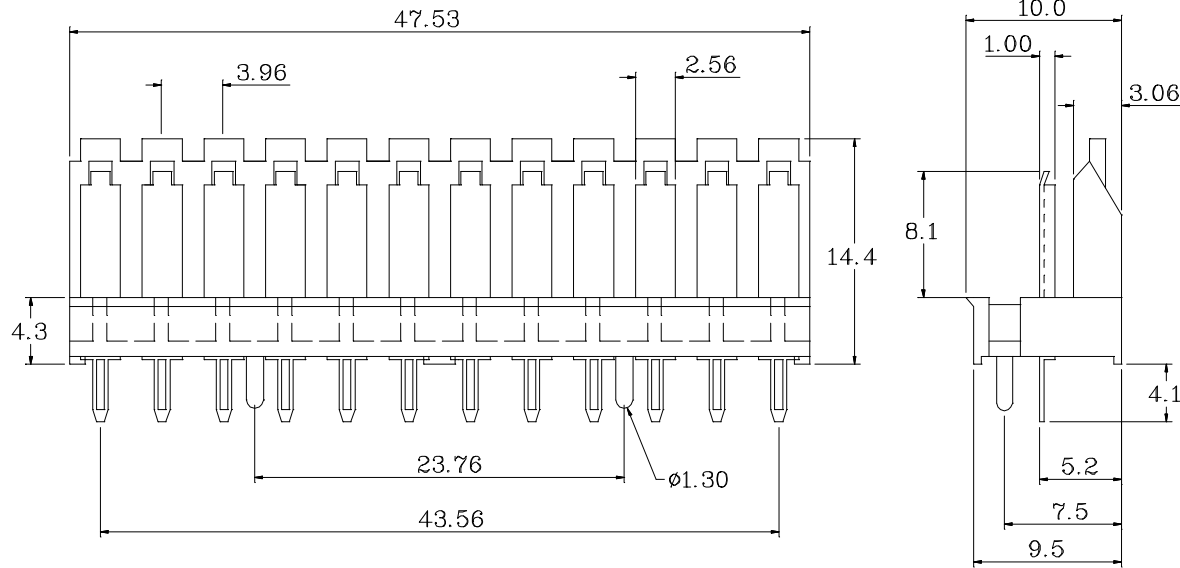
WINNING WIN WIN PRECISION IND. CO., LTD. TAIPEI, TAIWAN, R.O.C.

Date: 11/14/03
 Sheet: 1 of 1
 Title: Power Connector Double Row (All Pins ATX Whit Post)
 Drawing No.: C:\OTHER\WPO\AP\P005.DWG
 F/Name: WPO-ALLPIN-AN-W067
 REV: C

PART NUMBER: WPO-12-1T32

No. of Contact

- 1: Without Post
- 2: With Post
- 3: White
- T: Tin
- 1: 3.96mm(AT)



P.C.B Layout

Notes

- ◆ Material
 - Contact : Bronze
 - Housing : Nylon 66. UL 94V-0 Rated.
 - Contact Finish : Tin Over Nickel Plating.
- ◆ Electronical Specification
 - Contact Rating : 5 Amperes.
 - Insulation Resistance : 100 Megohms Min.
At 500 VDC
 - Dielectric Strength : 500 VAC R.M.S.
 - Contact Resistance : 20 Milliohms Max.
- ◆ Enviromental
 - Operating Temperature : -40℃ ~ 105℃

檔名 F/Name	C:\WRK\OTHER\APPROVE\PCSR-12P.WRK	T E L	2299-4155(代表號)	未註入公差 Tolerance Unless Otherwise Specified	設計 Designed	製圖 Drawing	檢圖 Reviewed	承認 Approved	單位 Unit	mm	比例尺 Scale	Third Angle Projection	
品名 P/Name	Power Connectors 12Pin Single Row	F A X	2299-4157	.X ~ ±0.38					日期 Date	07/25/02	Sheet	1 Of 1	
公司 CO/Name	承豐精密工業股份有限公司 WIN WIN PRECISION INDUSTRIAL CO., LTD.			.XX ~ ±0.25					圖名 Name	Power Connectors 12Pin Single Row	REV		
				.XXX ~ ±0.20					圖號 Drawing No.	Power Connectors-Single Row-AN-N046	B		
				Angle ~ ± 3'									