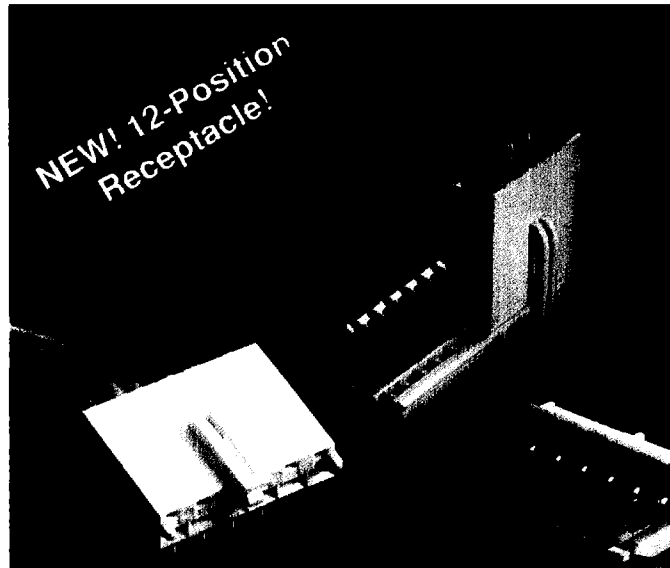


BURNDY



Burndy POSTLATCH™: Printed Circuit board post connector on .156 pitch

POSTLATCH simplifies the job of connecting discrete wire to the PCB, provides separability, offers discrimination feature.

- Widely used by the personal computer industry as a power header.
- Low cost reliability, unique contact geometry and tin alloy plating deliver gas tight, high pressure interconnections.
- Closed bottom design prevents wicking of solder into contact area, stand-offs provide thorough flushing of accumulated solder residues.
- Detent lock provides simple but effective latching without need for tools.

Characteristics

Electrical:

Operating Voltage: 250 VAC RMS
Current Rating: 5 amp continuous
Insulation Resistance: 500VDC
Operating Temp: -40°C to +85°C
Contact Resistance: 20 milliohms (max)
Dielectric Withstanding Voltage: 1500 VAC-60 Hz
between adjacent positions for 1 second, No
evidence of tracking, flashover or breakdown

Mechanical/Environmental:

Insertion Force: 12 oz. 3.4N/contact
Withdrawal Force: 0.5 oz. 14N/ contact

Durability: 30 mate/unmate cycles with no
degradation

Contact Retention: 1.5 lbs. 6.7N min.

Crimp Joint Characteristics: meets applicable
requirements of Mil-T-7928

Vibration: No loosening parts, damage or
malfunction after 6 hrs. conditioning in 3 planes;
10-55 hz. and 0,76 displacement

Shock: No loosening of parts, damage or
malfunction at 50G shock level (3 shocks)

Humidity: No electrical degradation after 96 hours
exposure to 95%RH@40°C

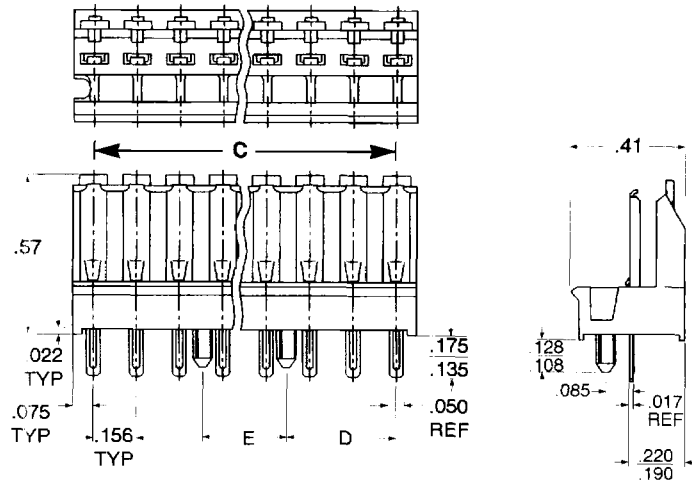


BURNS008

POSTLATCH™ Post Connectors

POSTLATCH™ Receptacle Connector

Catalog Number	No. of Positions	B No. of Spaces	C	D	E
GTC1R-2	1	—	—	—	—
GTC2R-1	2	1	.156	.078	—
GTC4R-1	4	3	.468	.234	—
GTC5R-1	5	4	.624	.390	—
GTC6R-1	6	5	.780	.390	—
GTC12R-1	12	11	1.716	.390	.936

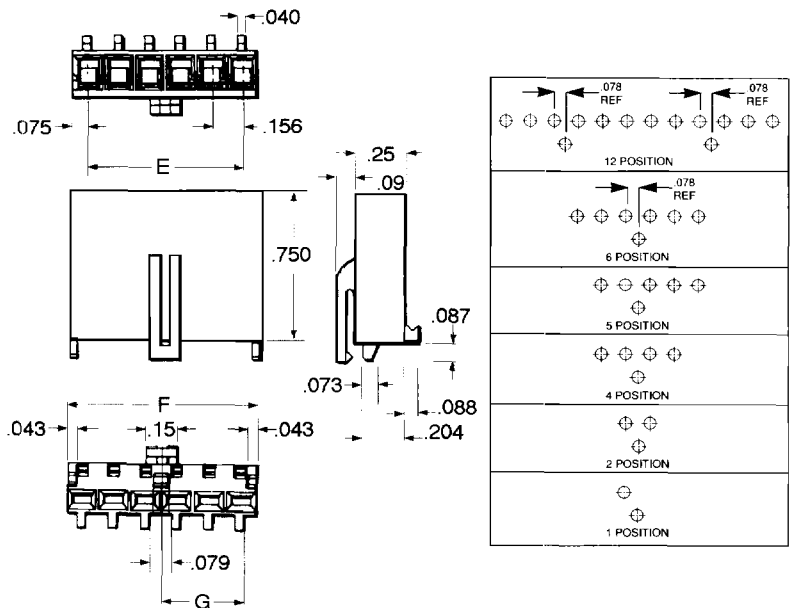


POSTLATCH™ Plug Connector

The plug half of the Postlatch connector contains the crimp insertable GTH™ based contacts shown below. Crimp and installation of this contact is accomplished on the standard Burndy UTM with appropriate tooling.

For multiple or mass termination applications, a second contact is available. Consult the main office or your local Burndy representative regarding this product.

Catalog Number	No. of Positions	D No. of Spaces	E	F	G
GTC1P-2	1	—	—	—	—
GTC2P-1	2	1	.156	.310	—
GTC4P-1	4	3	.468	.620	.234
GTC5P-1	5	4	.624	.770	—
GTC6P-1	6	5	.780	.930	.390



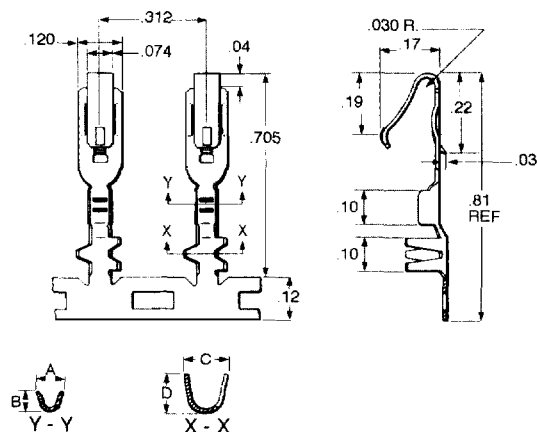
Material, plug and receptacle housing: 7.5% glass filled thermoplastic Polyester.

Color: natural **Flammability rating**: UL 94-VO

Crimp contacts for POSTLATCH™ Plug Connectors

Catalog Number	Wire Size	A	B	C	D	Indent No.
PCK22-2TR9	#22	.07	.06	.13	.11	22
PCK18-2TR9	#18-#22	.09	.10	.16	.18	18

Material: Cartridge Brass **Finish**: Pre-plated tin alloy



Burndy Corporation • 51 Richards Avenue • Norwalk, CT 06856
Phone: (203) 838-4444 • Fax: (203) 852-6227