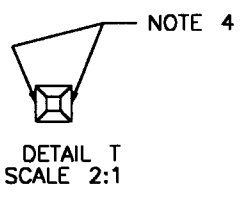
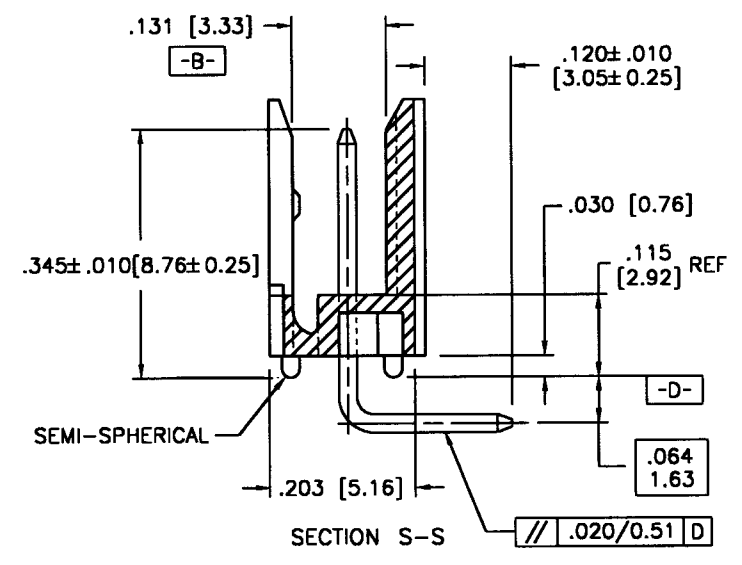
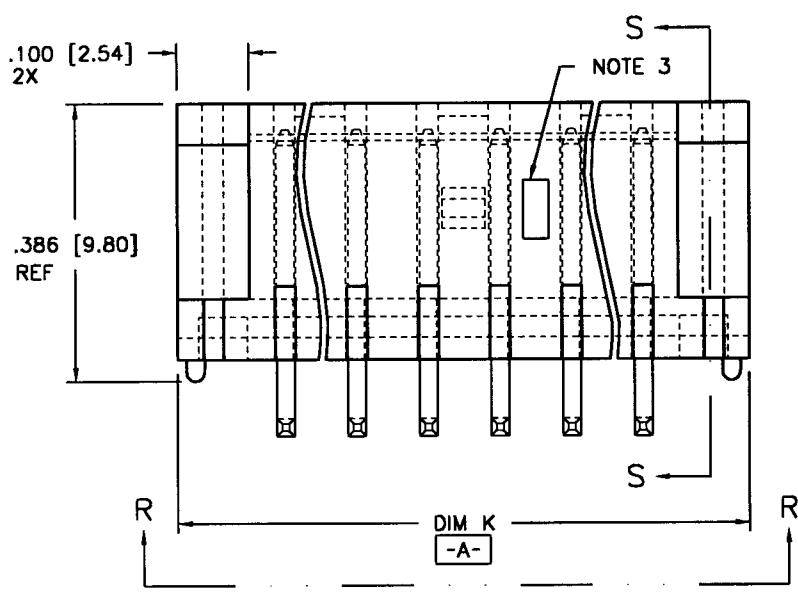
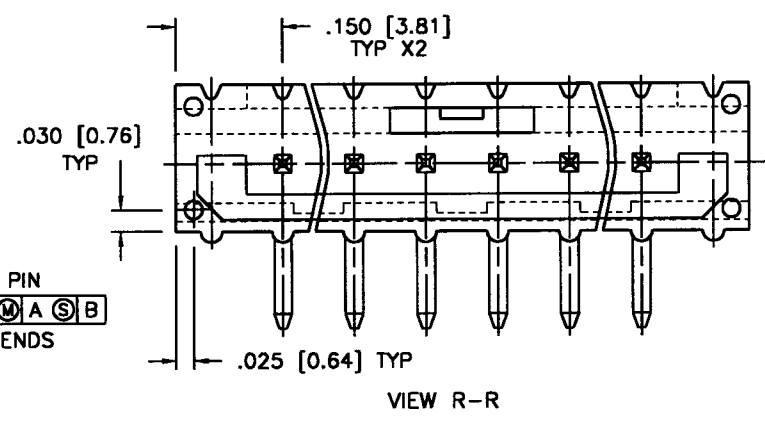
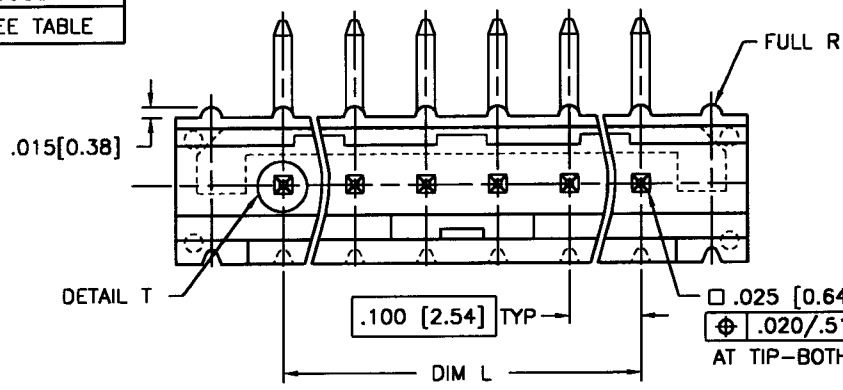


All rights strictly reserved. Reproduction or issue to third parties in any form
 whatsoever is not permitted without written authority from the proprietor.
 Property of © BERG ELECTRONICS Copyright BERG ELECTRONICS INC.

Tous droits strictement réservés. Reproduction ou communication à des tiers interdite
 sous quelque forme que ce soit sans autorisation écrite du propriétaire.
 Propriété de © BERG ELECTRONICS. Droits de reproduction BERG ELECTRONICS INC.



PRODUCT NO.
SEE TABLE



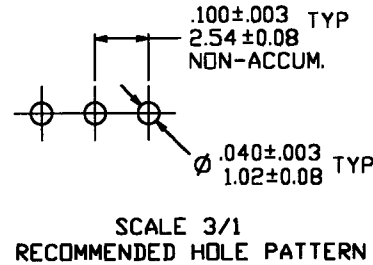
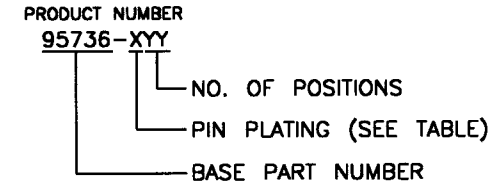
mat'l. code				tolerances unless otherwise specified		CUSTOMER COPY		BERG ELECTRONICS	
NOTES 1 AND 2									
ltr	ecn no	dr	date	linear	.XX±.01/.XX±.3	projection	title		
A	V50891	HTB	7/6/95		.XXX±.005/.XX±.13		CLINCHER™ LATCH HEADER		
B	V60842	EPK	6/3/96		.XXXX±.0020/.XXX±.051		RIGHT ANGLE		
C	V71289	HTB	9/22/97	angles	σ ± Z	INCH/MM	product family	HEADER	code
				dr	T. BREWBAKER 5/23/95	scale	size	dwg no	213
				enrg	T. HANNA 5/23/95	4:1	A	95736	sheet
				chr	T. HANNA 5/23/95				1 of 2
				appd	T. HANNA 7/6/95				
sheet index	revision sheet	C	C						
		1	2						

Tous droits strictement reserves. Reproduction ou communication a des tiers interdite sous quelque forme que ce soit sans autorisation écrite du propriétaire.
 Propriete de ©BERG ELECTRONICS. Droits de reproduction BERG ELECTRONICS INC.

BERG
ELECTRONICS

All rights strictly reserved. Reproduction or issue to third parties in any form whatever is not permitted without written authority from the proprietor.
 Property of ©BERG ELECTRONICS Copyright BERG ELECTRONICS INC.

PRODUCT NO.	NO. OF POSITIONS	DIM K ENGLISH	DIM K METRIC	DIM L ENGLISH	DIM L METRIC	NOTES	DASH NO	OVERPLATING	UNDERPLATING
	95736-X02	1 X 2	0.400	10.16	0.100				
95736-X03	1 X 3	0.500	12.70	0.200	5.08	-	-4YY	120u"/3.05u MIN 93/7 SnPb	50u"/1.27u MIN Ni
95736-X04	1 X 4	0.600	15.24	0.300	7.62	-			
95736-X05	1 X 5	0.700	17.78	0.400	10.16	-			
95736-X06	1 X 6	0.800	20.32	0.500	12.70	-			
95736-X07	1 X 7	0.900	22.86	0.600	15.24	-			
95736-X08	1 X 8	1.000	25.40	0.700	17.78	-			
95736-X09	1 X 9	1.100	27.94	0.800	20.32	-			
95736-X10	1 X 10	1.200	30.48	0.900	22.86	-			
95736-X11	1 X 11	1.300	33.02	1.000	25.40	-			
95736-X12	1 X 12	1.400	35.56	1.100	27.94	-			
95736-X13	1 X 13	1.500	38.10	1.200	30.48	-			
95736-X14	1 X 14	1.600	40.64	1.300	33.02	-			
95736-X15	1 X 15	1.700	43.18	1.400	35.56	-			
95736-X16	1 X 16	1.800	45.72	1.500	38.10	-			



NOTE

- ① MOLDING MATERIAL: HIGH TEMPERATURE PLASTIC FLAME RETARDENT PER UL-94V-0. COLOR: BLACK
- ② PIN MATERIAL: 3/4 HD PHOS. BRONZE
- ③ LOGO TO BE LOCATED APPROX. AS SHOWN.
- ④ TWO NON-CRITICAL SIDES OF PIN TIP NOT PLATED, BOTH ENDS.

mot'l. code				tolerances unless otherwise specified		CUSTOMER COPY		BERG ELECTRONICS	
ltr	ecn no	dr	date	linear	.XX±.01/.X±.3	projection		title CLINCHER™ LATCH HEADER RIGHT ANGLE	
c					.XXX±.005/.XX±.13			product family HEADER	
				angles	.XXX±.0020/.XX±.051			INCH/MM	code 213
		dr	T. BREWBAKER	5/23/95	0° ± 2'	scale	1:1	sheet 2 of	
		enr	T. HANNA	5/23/95					
		chr	T. HANNA	5/23/95					
		appd	T. HANNA	7/6/95					
sheet index	revision sheet								