

Linear Building Block – Single Comparator in SOT Package

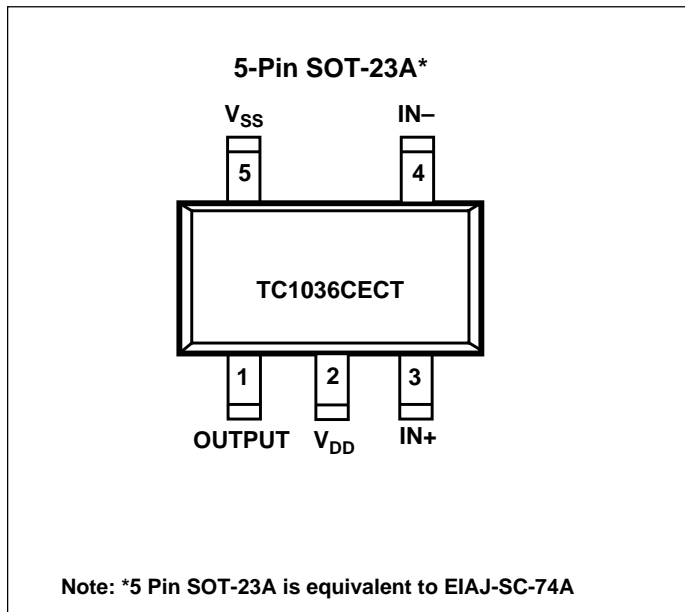
FEATURES

- Space Saving SOT-23A Package
- Optimized for Single-Supply Operation
- Ultra Low Input Bias Current Less than 100pA
- Low Quiescent Current 4 μ A
- Rail-to-Rail Inputs and Outputs
- Operation Down to $V_{DD} = 1.8V$
- LMC7211 Pin Replaceable

APPLICATIONS

- Power Management Circuits
- Battery Operated Equipment
- Consumer Products

PIN CONFIGURATION



GENERAL DESCRIPTION

The TC1036 is a single low-power comparator designed for low-power applications.

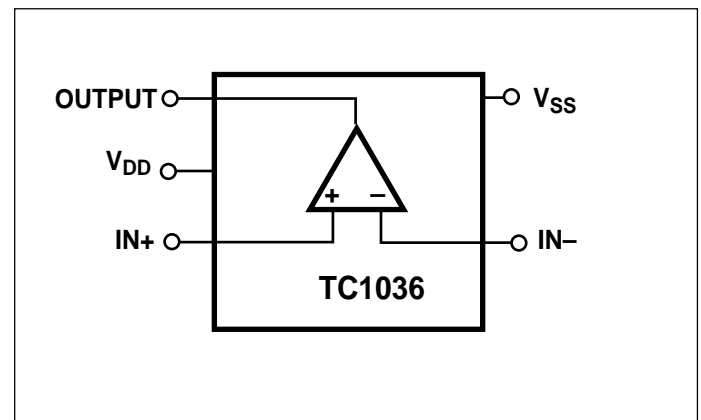
This comparator is specifically designed for operation from a single supply. However, operation from dual supplies also is possible, and power supply current is independent of the magnitude of the power supply voltage. The TC1036 can operate from two 1.5V alkaline cells down to $V_{DD} = 1.8V$. Active supply current is 4 μ A for the TC1036. Input and output swing of these devices is rail-to-rail.

Packaged in a 5-Pin SOT-23A, the TC1036 comparator is ideal for applications requiring high integration, small size, and low power.

ORDERING INFORMATION

Part No.	Package	Temp. Range
TC1036CECT	5-Pin SOT-23A	- 40°C to +85°C

FUNCTIONAL BLOCK DIAGRAM



Linear Building Block – Single Comparator in SOT Package

TC1036

ABSOLUTE MAXIMUM RATINGS*

Supply Voltage	6.0V
Voltage on Any Pin: (With Respect to Supplies) (V _{SS} – 0.3V) to (V _{DD} +0.3V)	
Operating Temperature Range:	– 40°C to + 85°C
Storage Temperature Range	– 55°C to +150°C
Lead Temperature (Soldering, 10 sec)	+260°C

* Static-sensitive device. Unused devices must be stored in conductive material. Protect devices from static discharge and static fields. Stresses above those listed under Absolute Maximum Ratings may cause permanent damage to the device. These are stress ratings only and functional operation of the device at these or any other conditions above those indicated in the operational sections of the specifications is not implied. Exposure to Absolute Maximum Rating Conditions for extended periods may affect device reliability.

ELECTRICAL CHARACTERISTICS: Typical values apply at 25°C and V_{DD} = 3.0V. Minimum and maximum values apply for V_{DD} = 1.8V to 5.5V, and T_A = -40°C to +85°C, unless otherwise specified.

Symbol	Parameter	Test Conditions	Min	Typ	Max	Unit
V _{DD}	Supply Voltage		1.8	—	5.5	V
I _Q	Supply Current, Operating	All Outputs Unloaded	—	4	8	μA
V _{ICMR}	Common Mode Input Voltage Range		V _{SS} – 0.2	—	V _{DD} +0.2	V
V _{OS}	Input Offset Voltage	V _{DD} = 3V, V _{CM} = 1.5V, T _A = 25°C T _A = –40°C to 85°C	–5 –5	—	+5 +5	mV mV
I _B	Input Bias Current	T _A = 25°C, I _{N+} , I _{N–} = V _{DD} to V _{SS}	—	—	±100	pA
V _{OH}	Output High Voltage	R _L = 10KΩ to V _{SS}	V _{DD} – 0.3	—	—	V
V _{OL}	Output Low Voltage	R _L = 10KΩ to V _{DD}	—	—	0.3	V
CMRR	Common Mode Rejection Ratio	T _A = 25°C, V _{DD} = 5V V _{CM} = V _{DD} to V _{SS}	66	—	—	dB
PSRR	Power Supply Rejection Ratio	T _A = 25°C, V _{CM} = 1.2V V _{DD} = 1.8V to 5V	60	—	—	dB
I _{SRC}	Output Source Current	I _{N+} = V _{DD} , I _{N–} = V _{SS} Output Shorted to V _{SS} V _{DD} = 1.8V	1	—	—	mA
I _{SINK}	Output Sink Current	I _{N+} = V _{SS} , I _{N–} = V _{DD} , Output Shorted to V _{DD} V _{DD} = 1.8V	2	—	—	mA
t _{PD1}	Response Time	100mV Overdrive, C _L = 100pF	—	4	—	μsec
t _{PD2}	Response Time	10mV Overdrive, C _L = 100pF	—	6	—	μsec

PIN DESCRIPTION

Pin No.	Name	Description
1	OUTPUT	Comparator Output Terminal.
2	V _{DD}	Positive Supply Voltage.
3	I _{N+}	Comparator Non-Inverting Input Terminal.
4	I _{N–}	Comparator Inverting Input Terminal.
5	V _{SS}	Ground Terminal.

DETAILED DESCRIPTION

The TC1036 is a very low-power, linear building block comparator targeted at low-voltage, single-supply applications. The TC1036 minimum operating voltage is 1.8V, and typical supply current is only 4 μA.

The comparator's input range extends beyond both supply voltages by 200mV and the outputs will swing to within several millivolts of the supplies depending on the load current being driven.

The comparator exhibits a propagation delay and supply current which is largely independent of supply voltage. The low input bias current and offset voltage makes it suitable for high impedance precision applications.

TYPICAL APPLICATIONS

The TC1036 lends itself to a wide variety of applications, particularly in battery-powered systems. It typically finds application in power management, processor supervisory, and interface circuitry.

External Hysteresis

Hysteresis can be set externally with two resistors using positive feedback techniques (see Figure 1). The design procedure for setting external comparator hysteresis is as follows:

1. Choose the feedback resistor R_C . Since the input bias current of the comparator is at most 100 pA, the current through R_C can be set to 100 nA (i.e. 1000 times the input bias current) and retain excellent accuracy. The current through R_C at the comparator's trip point is V_R / R_C where V_R is a stable reference voltage.

2. Determine the hysteresis voltage (V_{HY}) between the upper and lower thresholds.

3. Calculate R_A as follows.

$$R_A = R_C \left(\frac{V_{HY}}{V_{DD}} \right)$$

4. Choose the rising threshold voltage for V_{SRC} (V_{THR}).

5. Calculate R_B as follows:

$$R_B = \frac{1}{\left[\left(\frac{V_{THR}}{V_R * R_A} \right) - \frac{1}{R_A} - \frac{1}{R_C} \right]}$$

6. Verify the threshold voltages with these formulas:

V_{SRC} rising:

$$V_{THR} = (V_R) (R_A) \left[\left(\frac{1}{R_A} \right) + \left(\frac{1}{R_B} \right) + \left(\frac{1}{R_C} \right) \right]$$

V_{SRC} falling:

$$V_{THF} = V_{THR} - \left[\frac{(R_A * V_{DD})}{R_C} \right]$$

Precision Battery Monitor

Figure 2 is a precision battery low/battery dead monitoring circuit. Typically, the battery low output warns the user that a battery dead condition is imminent. Battery dead typically initiates a forced shutdown to prevent operation at low internal supply voltages (which can cause unstable system operation).

The circuit of Figure 2 uses a TC1034, a TC1037 and a TC1039, and only six external resistors. AMP 1 is a simple buffer while CMPTR1 and CMPTR2 provide precision voltage detection using V_R as a reference. Resistors R2 and R4 set the detection threshold for $\overline{BATT\ LOW}$ while resistors R1 and R3 set the detection threshold for $\overline{BATT\ FAIL}$. The component values shown assert $\overline{BATT\ LOW}$ at 2.2V (typical) and $\overline{BATT\ FAIL}$ at 2.0V (typical). Total current consumed by this circuit is typically 16μA at 3V. Resistors R5 and R6 provide hysteresis for comparators CMPTR1 and CMPTR2, respectively.

32.768 KHz 'Time Of Day Clock' Crystal Controlled Oscillator

A very stable oscillator driver can be designed by using a crystal resonator as the feedback element. Figure 3 shows a typical application circuit using this technique to develop a clock driver for a Time Of Day (TOD) clock chip. The value of R_A and R_B determine the DC voltage level at which the comparator trips — in this case one-half of V_{DD} . The RC time constant of R_C and C_A should be set several times greater than the crystal oscillator's period, which will ensure a 50% duty cycle by maintaining a DC voltage at the inverting comparator input equal to the absolute average of the output signal.

TC1036

Non-Retriggerable One Shot Multivibrator

Using two comparators, a non-retriggerable one shot multivibrator can be designed using the circuit configuration of Figure 4. A key feature of this design is that the pulse width is independent of the magnitude of the supply voltage because the charging voltage and the intercept voltage are a fixed percentage of V_{DD} . In addition, this one shot is capable of pulse width with as much as a 99% duty cycle and exhibits input lockout to ensure that the circuit will not re-trigger before the output pulse has completely timed out. The trigger level is the voltage required at the input to raise the voltage at node A higher than the voltage at node B, and is set by the resistive divider R4 and R10 and the impedance network composed of R1, R2, and R3. When the one shot has been triggered, the output of CMPTR2 is high, causing the reference voltage at the non-inverting input of CMPTR1 to go to V_{DD} . This prevents any additional input pulses from disturbing the circuit until the output pulse has timed out.

The value of the timing capacitor C1 must be small enough to allow CMPTR1 to discharge C1 to a diode voltage before the feedback signal from CMPTR2 (through R10) switches CMPTR1 to its high state and allows C1 to start an exponential charge through R5. Proper circuit action depends upon rapidly discharging C1 through the voltage set by R6, R9, and D2 to a final voltage of a small diode drop. Two propagation delays after the voltage on C1 drops below the level on the non-inverting input of CMPTR2, the output of CMPTR1 switches to the positive rail and begins to charge C1 through R5. The time delay which sets the output pulse width results from C1 charging to the reference voltage set by R6, R9, and D2, plus four comparator propagation delays. When the voltage across C1 charges beyond the reference, the output pulse returns to ground and the input is again ready to accept a trigger signal.

Oscillators and Pulse Width Modulators

TelCom's linear building block comparators adapt well to oscillator applications for low frequencies (less than 100 KHz). Figure 5 shows a symmetrical square wave generator using a minimum number of components. The output is set by the RC time constant of R4 and C1, and the total hysteresis of the loop is set by R1, R2, and R3. The maximum frequency of the oscillator is limited only by the large signal propagation delay of the comparator in addition to any capacitive loading at the output which degrades the slew rate.

To analyze this circuit, assume that the output is initially high. For this to occur, the voltage at the inverting input must be less than the voltage at the non-inverting input. Therefore, capacitor C1 is discharged. The voltage at the non-inverting input (V_H) is:

$$V_H = \frac{R2(V_{DD})}{[R2 + (R1 || R3)]}$$

where, if $R1 = R2 = R3$, then:

$$V_H = \frac{2(V_{DD})}{3}$$

Capacitor C1 will charge up through R4. When the voltage of the comparator's inverting input is equal to V_H , the comparator output will switch. With the output at ground potential, the value at the non-inverting input terminal (V_L) is reduced by the hysteresis network to a value given by:

$$V_L = \frac{V_{DD}}{3}$$

Using the same resistors as before, capacitor C1 must now discharge through R4 toward ground. The output will return to a high state when the voltage across the capacitor has discharged to a value equal to V_L . The period of oscillation will be twice the time it takes for the RC circuit to charge up to one half its final value. The period can be calculated from:

$$\frac{1}{\text{FREQ}} = 2 (0.694) (R4) (C1)$$

Equation 8.

The frequency stability of this circuit should only be a function of the external component tolerances.

Figure 6 shows the circuit for a pulse width modulator circuit. It is essentially the same as in Figure 5 with the addition of an input control voltage. When the input control voltage is equal to one-half V_{DD} , operation is basically the same as described for the free-running oscillator. If the input control voltage is moved above or below one-half V_{DD} , the duty cycle of the output square wave will be altered. This is because the addition of the control voltage at the input has now altered the trip points. The equations for these trip points are shown in Figure 6 (see V_H and V_L).

Pulse width sensitivity to the input voltage variations can be increased by reducing the value of R6 from 10 K Ω and conversely, sensitivity will be reduced by increasing the value of R6. The values of R1 and C1 can be varied to produce the desired center frequency.

Linear Building Block – Single Comparator in SOT Package

TC1036

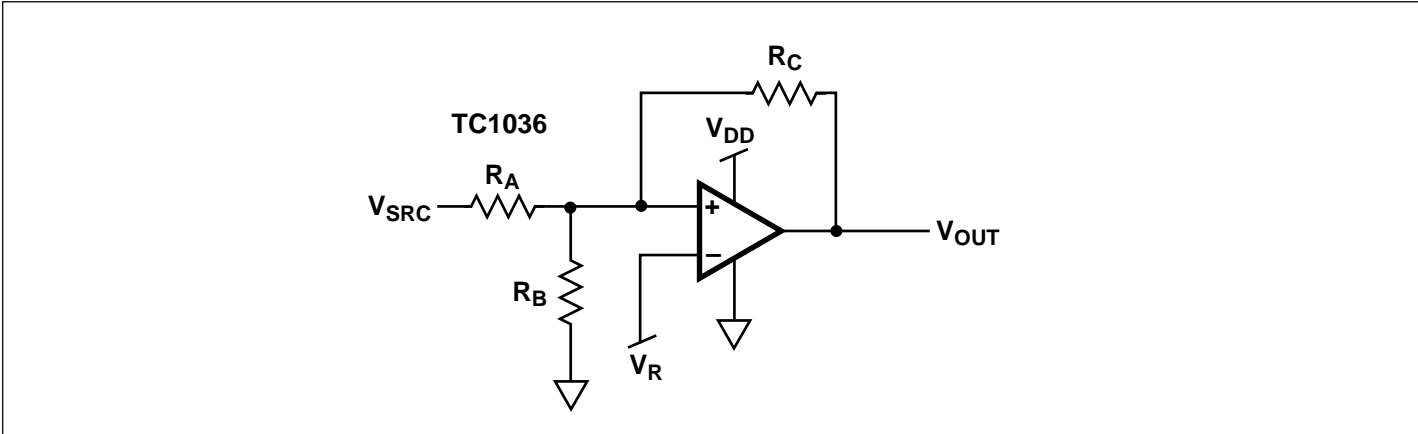


Figure 1. Comparator External Hysteresis Configuration

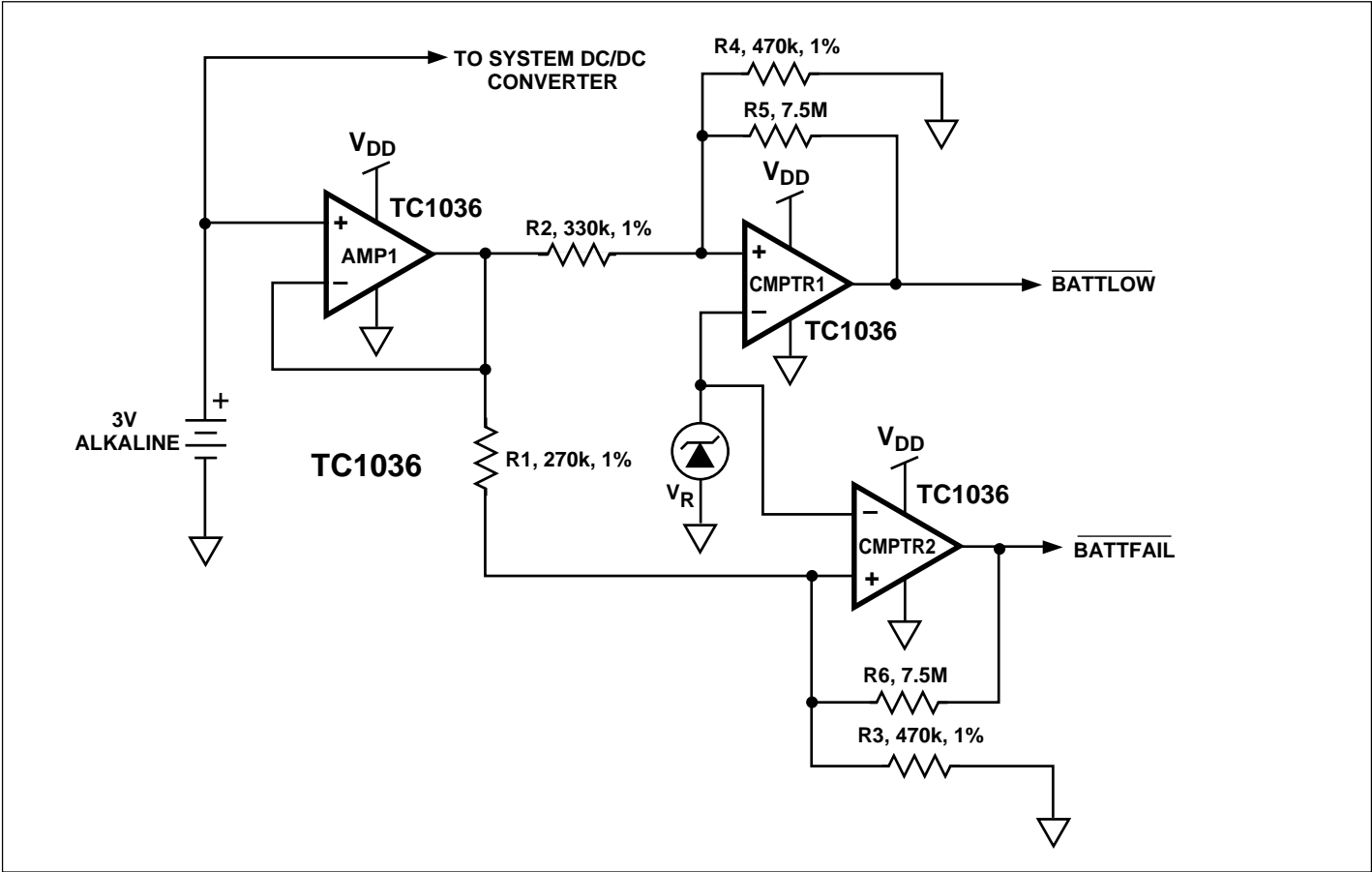


Figure 2. Precision Battery Monitor

Linear Building Block – Single Comparator in SOT Package

TC1036

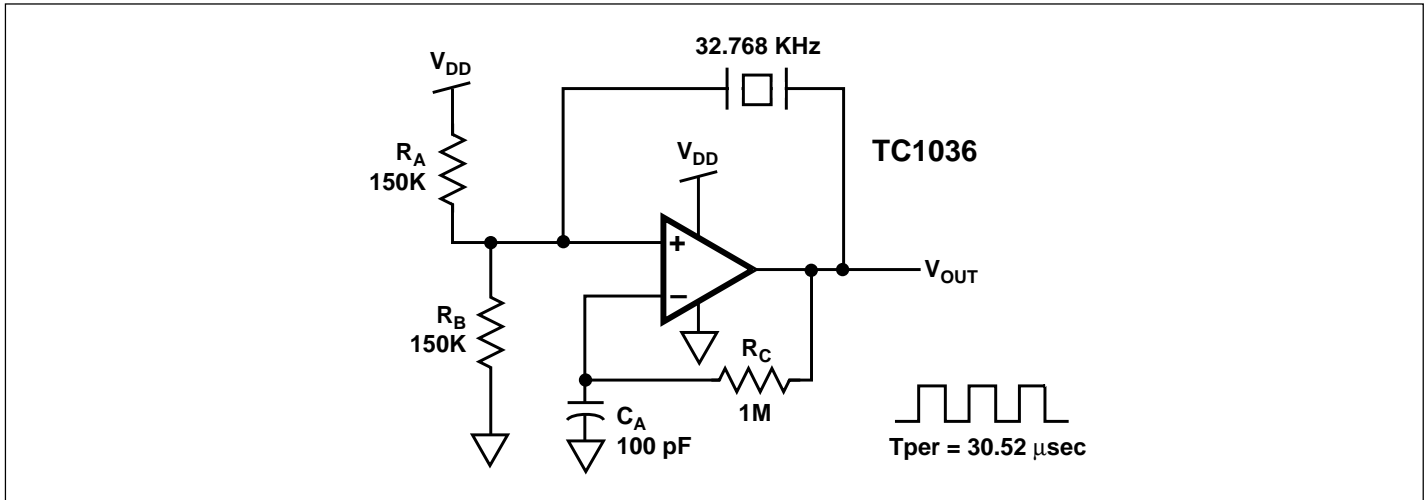


Figure 3. 32.768 KHz "Time of Day" Clock Oscillator

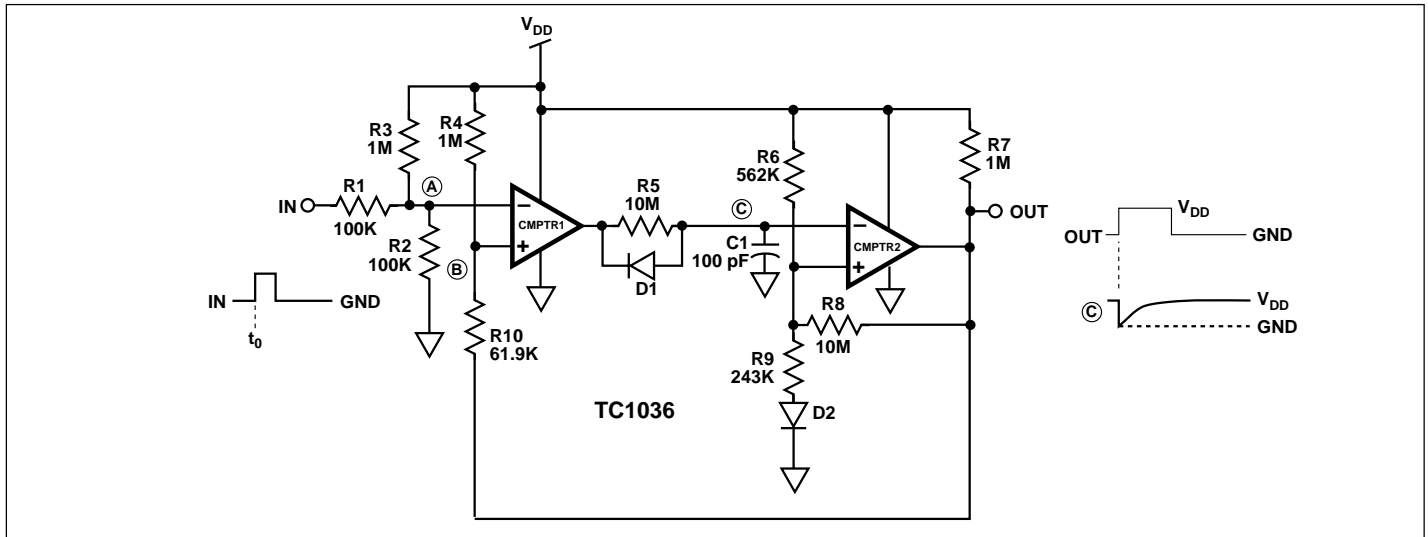


Figure 4. Non-Retriggerable Multivibrator

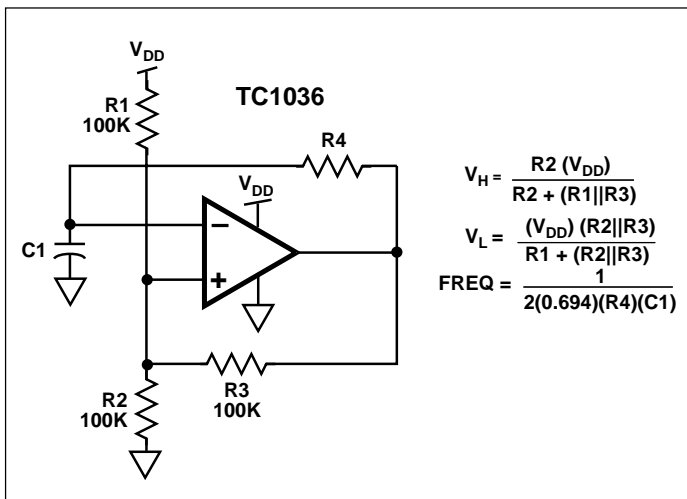


Figure 5. Square Wave Generator

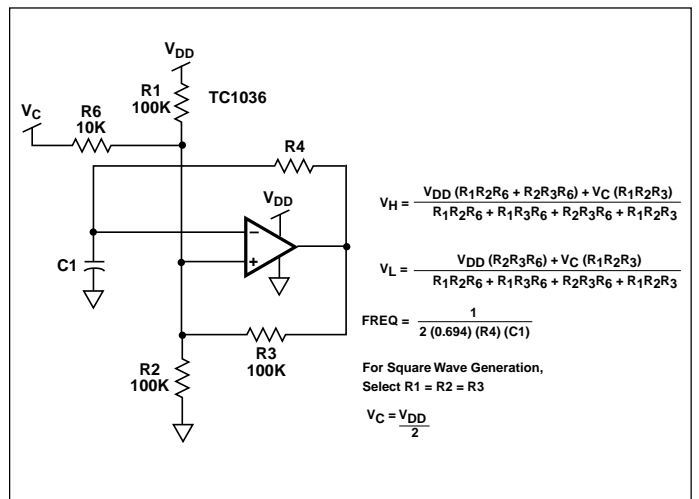
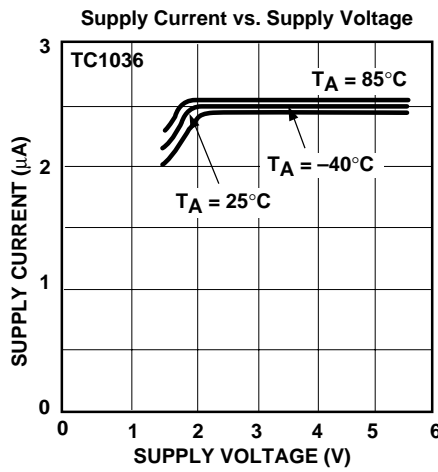
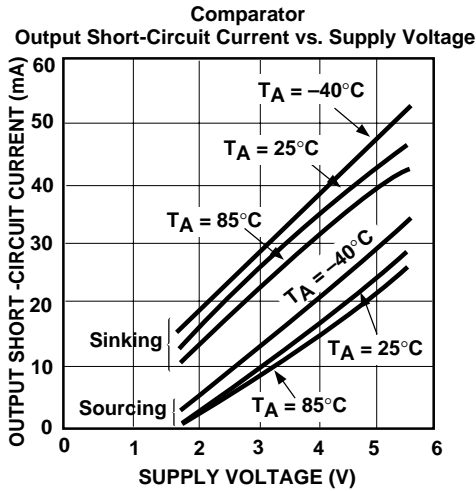
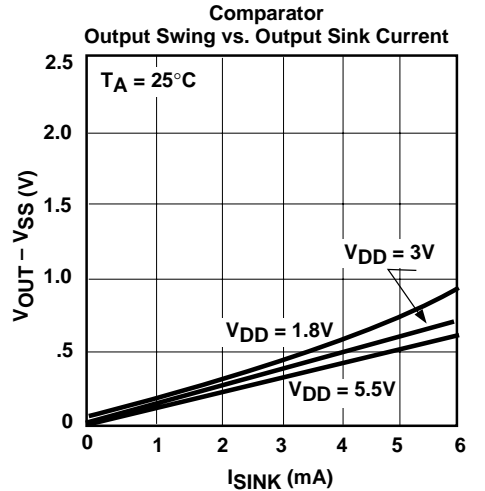
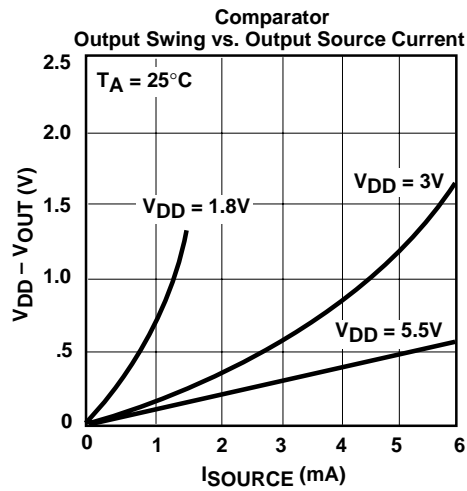
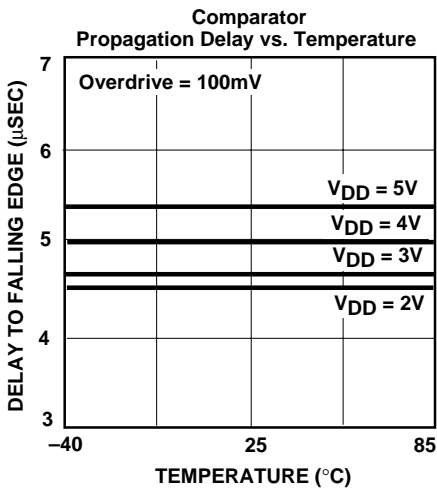
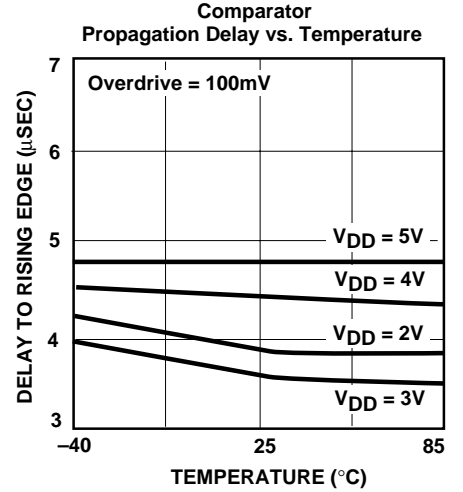
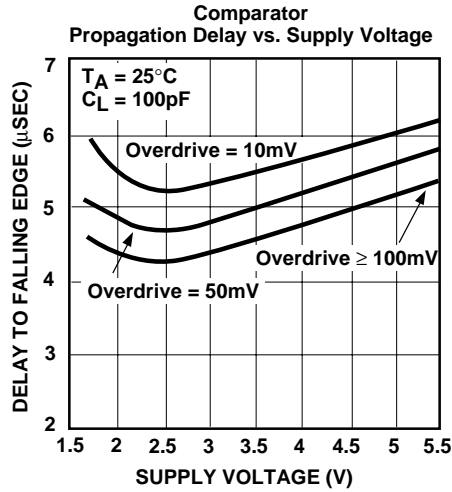
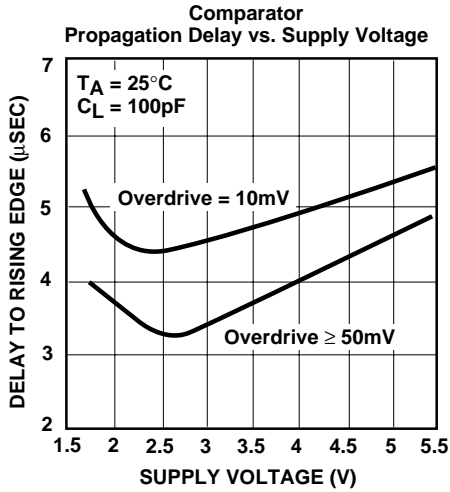


Figure 6. Pulse Width Modulator

Linear Building Block – Single Comparator in SOT Package

TC1036

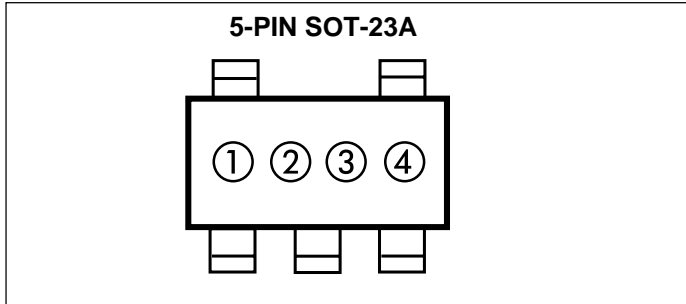
TYPICAL CHARACTERISTICS



Linear Building Block – Single Comparator in SOT Package

TC1036

MARKINGS



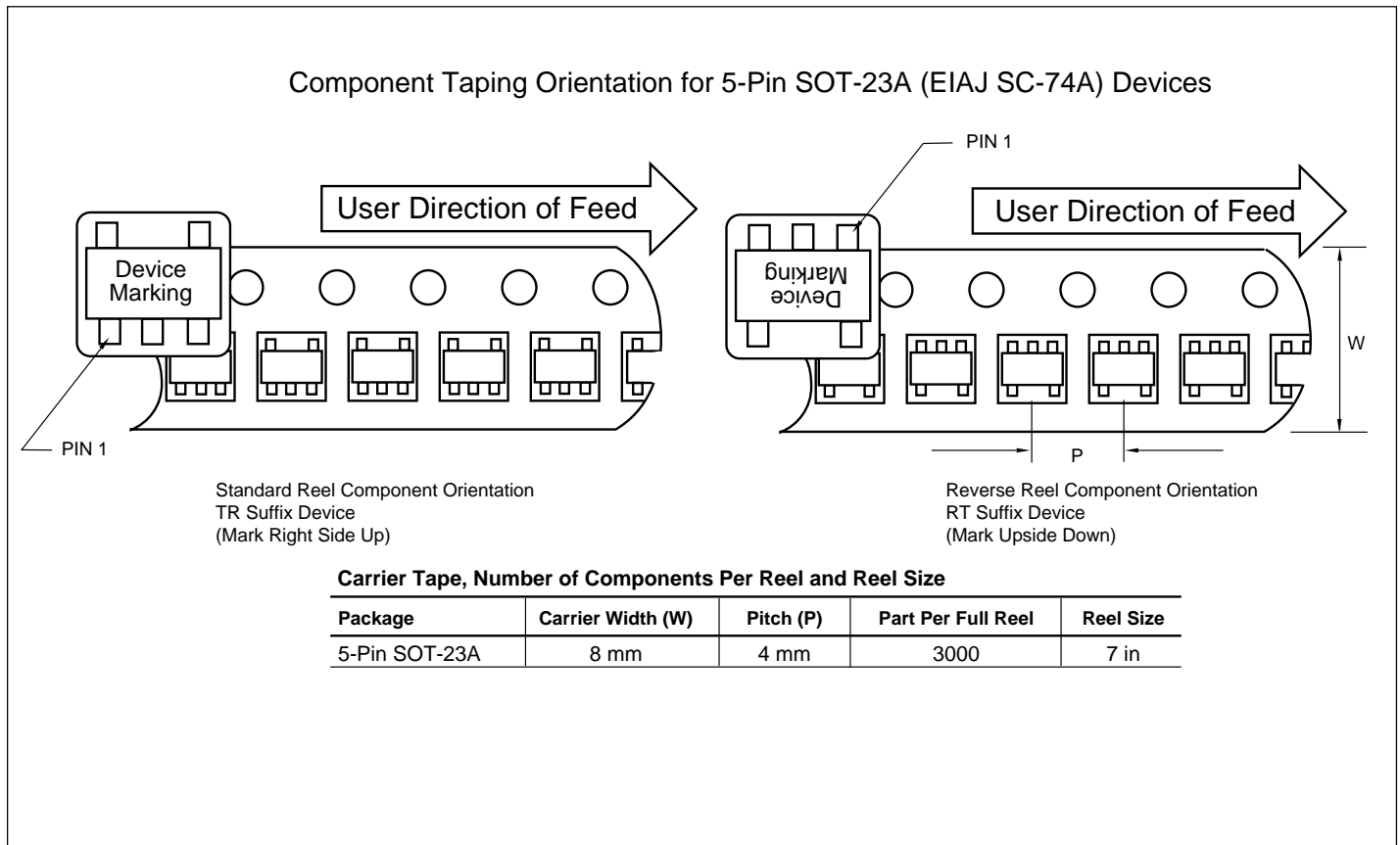
① & ② = part number code + temperature range and voltage

Part Number	Code
TC1036CECT	BP

ex: 1036CECT = (B)(P)○○

③ represents year and 2-month period code

④ represents lot ID number

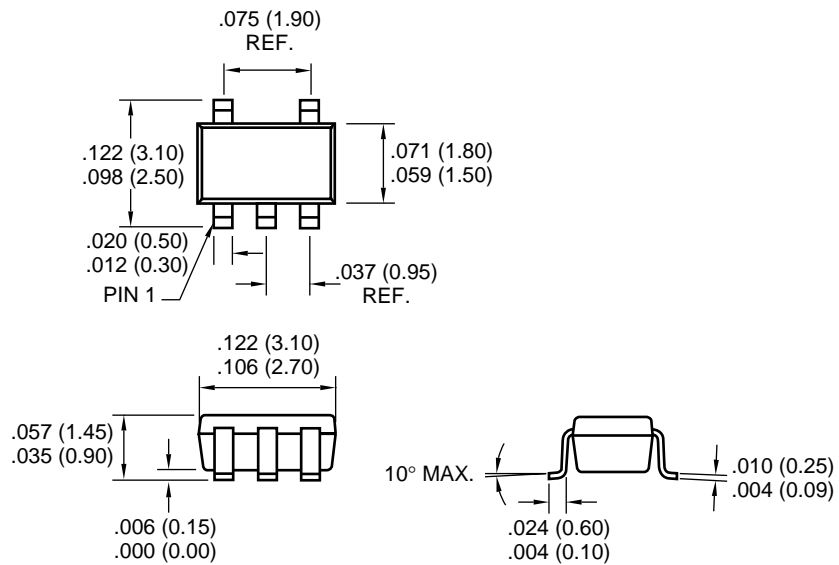


Linear Building Block – Single Comparator in SOT Package

TC1036

PACKAGE DIMENSIONS

5-Pin SOT-23A (EIAJ SC-74A)



Dimensions: inches (mm)



WORLDWIDE SALES AND SERVICE

AMERICAS

Corporate Office

2355 West Chandler Blvd.
Chandler, AZ 85224-6199
Tel: 480-792-7200 Fax: 480-792-7277
Technical Support: 480-792-7627
Web Address: <http://www.microchip.com>

Rocky Mountain

2355 West Chandler Blvd.
Chandler, AZ 85224-6199
Tel: 480-792-7966 Fax: 480-792-7456

Atlanta

500 Sugar Mill Road, Suite 200B
Atlanta, GA 30350
Tel: 770-640-0034 Fax: 770-640-0307

Austin

Analog Product Sales
8303 MoPac Expressway North
Suite A-201
Austin, TX 78759
Tel: 512-345-2030 Fax: 512-345-6085

Boston

2 Lan Drive, Suite 120
Westford, MA 01886
Tel: 978-692-3848 Fax: 978-692-3821

Boston

Analog Product Sales
Unit A-8-1 Millbrook Tarry Condominium
97 Lowell Road
Concord, MA 01742
Tel: 978-371-6400 Fax: 978-371-0050

Chicago

333 Pierce Road, Suite 180
Itasca, IL 60143
Tel: 630-285-0071 Fax: 630-285-0075

Dallas

4570 Westgrove Drive, Suite 160
Addison, TX 75001
Tel: 972-818-7423 Fax: 972-818-2924

Dayton

Two Prestige Place, Suite 130
Miamisburg, OH 45342
Tel: 937-291-1654 Fax: 937-291-9175

Detroit

Tri-Atria Office Building
32255 Northwestern Highway, Suite 190
Farmington Hills, MI 48334
Tel: 248-538-2250 Fax: 248-538-2260

Los Angeles

18201 Von Karman, Suite 1090
Irvine, CA 92612
Tel: 949-263-1888 Fax: 949-263-1338

Mountain View

Analog Product Sales
1300 Terra Bella Avenue
Mountain View, CA 94043-1836
Tel: 650-968-9241 Fax: 650-967-1590

New York

150 Motor Parkway, Suite 202
Hauppauge, NY 11788
Tel: 631-273-5305 Fax: 631-273-5335

San Jose

Microchip Technology Inc.
2107 North First Street, Suite 590
San Jose, CA 95131
Tel: 408-436-7950 Fax: 408-436-7955

Toronto

6285 Northam Drive, Suite 108
Mississauga, Ontario L4V 1X5, Canada
Tel: 905-673-0699 Fax: 905-673-6509

ASIA/PACIFIC

China - Beijing

Microchip Technology Beijing Office
Unit 915
New China Hong Kong Manhattan Bldg.
No. 6 Chaoyangmen Beidajie
Beijing, 100027, No. China
Tel: 86-10-85282100 Fax: 86-10-85282104

China - Shanghai

Microchip Technology Shanghai Office
Room 701, Bldg. B
Far East International Plaza
No. 317 Xian Xia Road
Shanghai, 200051
Tel: 86-21-6275-5700 Fax: 86-21-6275-5060

Hong Kong

Microchip Asia Pacific
RM 2101, Tower 2, Metroplaza
223 Hing Fong Road
Kwai Fong, N.T., Hong Kong
Tel: 852-2401-1200 Fax: 852-2401-3431

India

Microchip Technology Inc.
India Liaison Office
Divyasree Chambers
1 Floor, Wing A (A3/A4)
No. 11, OIShaughnessey Road
Bangalore, 560 025, India
Tel: 91-80-2290061 Fax: 91-80-2290062

Japan

Microchip Technology Intl. Inc.
Benex S-1 6F
3-18-20, Shinyokohama
Kohoku-Ku, Yokohama-shi
Kanagawa, 222-0033, Japan
Tel: 81-45-471- 6166 Fax: 81-45-471-6122

Korea

Microchip Technology Korea
168-1, Youngbo Bldg. 3 Floor
Samsung-Dong, Kangnam-Ku
Seoul, Korea
Tel: 82-2-554-7200 Fax: 82-2-558-5934

ASIA/PACIFIC (continued)

Singapore

Microchip Technology Singapore Pte Ltd.
200 Middle Road
#07-02 Prime Centre
Singapore, 188980
Tel: 65-334-8870 Fax: 65-334-8850

Taiwan

Microchip Technology Taiwan
11F-3, No. 207
Tung Hua North Road
Taipei, 105, Taiwan
Tel: 886-2-2717-7175 Fax: 886-2-2545-0139

EUROPE

Australia

Microchip Technology Australia Pty Ltd
Suite 22, 41 Rawson Street
Epping 2121, NSW
Australia
Tel: 61-2-9868-6733 Fax: 61-2-9868-6755

Denmark

Microchip Technology Denmark ApS
Regus Business Centre
Lautrup høj 1-3
Ballerup DK-2750 Denmark
Tel: 45 4420 9895 Fax: 45 4420 9910

France

Arizona Microchip Technology SARL
Parc diActivite du Moulin de Massy
43 Rue du Saule Trapu
Batiment A - ler Etage
91300 Massy, France
Tel: 33-1-69-53-63-20 Fax: 33-1-69-30-90-79

Germany

Arizona Microchip Technology GmbH
Gustav-Heinemann Ring 125
D-81739 Munich, Germany
Tel: 49-89-627-144 0 Fax: 49-89-627-144-44

Germany

Analog Product Sales
Lochhamer Strasse 13
D-82152 Martinsried, Germany
Tel: 49-89-895650-0 Fax: 49-89-895650-22

Italy

Arizona Microchip Technology SRL
Centro Direzionale Colleoni
Palazzo Taurus 1 V. Le Colleoni 1
20041 Agrate Brianza
Milan, Italy
Tel: 39-039-65791-1 Fax: 39-039-6899883

United Kingdom

Arizona Microchip Technology Ltd.
505 Eskdale Road
Winnersh Triangle
Wokingham
Berkshire, England RG41 5TU
Tel: 44 118 921 5869 Fax: 44-118 921-5820

All rights reserved. © 2001 Microchip Technology Incorporated. Printed in the USA. 1/01  Printed on recycled paper.

01/09/01

Information contained in this publication regarding device applications and the like is intended through suggestion only and may be superseded by updates. It is your responsibility to ensure that your application meets with your specifications. No representation or warranty is given and no liability is assumed by Microchip Technology Incorporated with respect to the accuracy or use of such information, or infringement of patents or other intellectual property rights arising from such use or otherwise. Use of Microchip's products as critical components in life support systems is not authorized except with express written approval by Microchip. No licenses are conveyed, implicitly or otherwise, except as maybe explicitly expressed herein, under any intellectual property rights. The Microchip logo and name are registered trademarks of Microchip Technology Inc. in the U.S.A. and other countries. All rights reserved. All other trademarks mentioned herein are the property of their respective companies.