

PRODUCT NUMBER

98464-X61-XXXLF

PLATING

S = 0.38µm GOLD/GXT ON CONTACT AREA
3.81µm TIN LEAD ON TAIL

G = 0.76µm GOLD/GXT ON CONTACT AREA
3.81µm TIN LEAD ON TAIL

F = GOLD FLASH ON CONTACT AREA
3.81µm TIN LEAD

T = 2.0-5.0µm TIN FULL PLATED

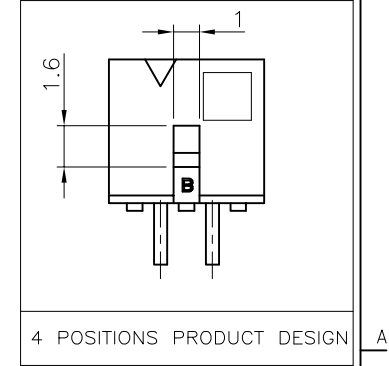
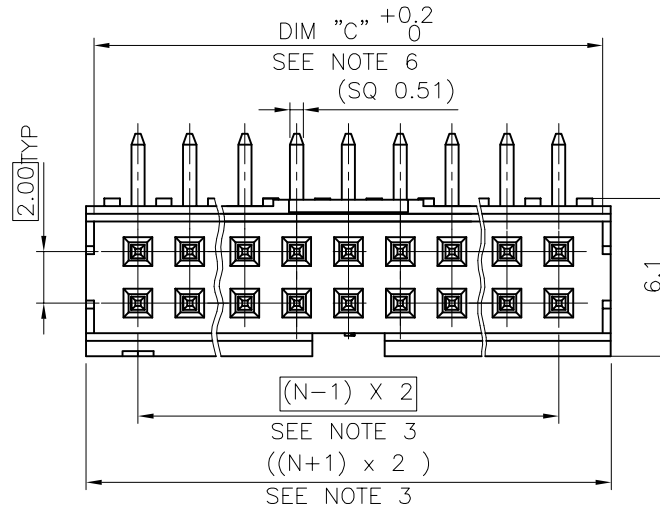
UNDERPLATING 1.27µm MIN FOR ANY PLATING.

WHEN REQUIRED, ADD SUFFIX LETTER "LF" INDICATES THE PRODUCT IS RoHS COMPATIBLE, SEE NOTE 8

PACKAGING OPTIONAL LETTER (SEE NOTE 5)

TOTAL NB OF POSITIONS, 04 TO 50

COLOR OPTION, NOTE 1



NOTES:

1. MATERIAL HOUSING: HIGH TEMP. THERMOPLASTIC UL 94V-0
- = STANDARD COLOR CREAM
B = OPTIONAL COLOR BLACK

2. MATERIAL TERMINAL: COPPER ALLOY

3. TO DETERMINE DIMENSIONS:
N = NUMBER OF POSITIONS PER ROW

4. 7N MIN. PIN RETENTION IN EITHER DIRECTION.

5. PACKAGING:

- = PLASTIC BOX
- = PLASTIC BOX WHEN POLARISATION FEATURE APPLICABLE
- U = TUBE AVAILABLE FROM 06 TO 50 POS

6. DIM "C" = (N x 2) + 1.4
EXAMPLE: N = 7
DIM "C" = (7 x 2) + 1.4 = 15.4 mm

8. RoHS COMPATIBLE PRODUCT SPECIFICATIONS

a - PLATING:

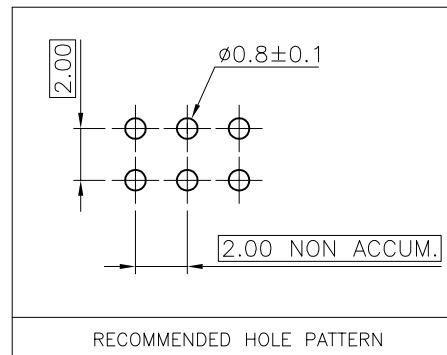
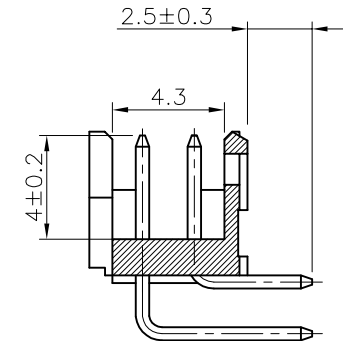
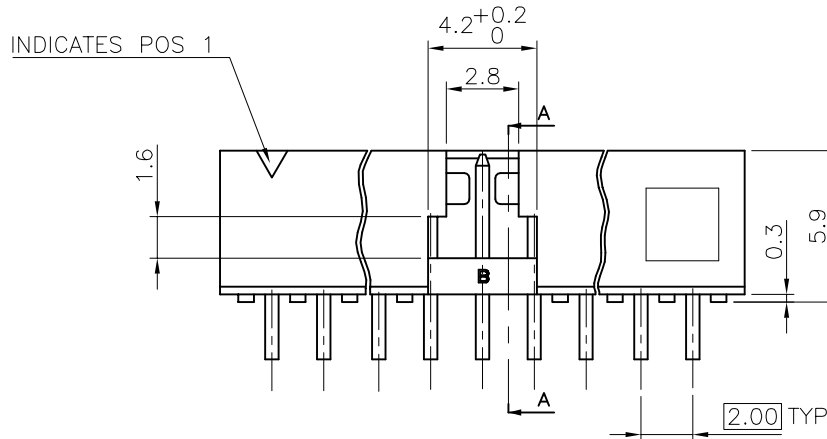
- "LF" MEANS THE PRODUCT IS LEAD-FREE, 2µm MINIMUM MATTE TIN OVER 1.27µm MINIMUM NICKEL UNDERPLATE.

b - MANUFACTURING PROCESS COMPATIBILITY

- THE HOUSING WILL WITHSTAND EXPOSURE TO 260°C ±5°C SOLDER BATH TEMPERATURE FOR 5 SECONDS IN A WAVE SOLDER APPLICATION WITH A 1.6mm MIN THICK CIRCUIT BOARD.

c - LABELLING:

- MEETS PACKAGING SPECS AS PER GS-14-920
- THIS PRODUCT MEETS EUROPEAN DIRECTIVES AND OTHER COUNTRY REGULATIONS AS DISCRIBED IN GS-22-008.



mat'l. code SEE NOTES		surface ISO 1302	tolerance ISO 406 ISO 1101	projection mm	product family MINITEK
ltr	ecn no	dr	date	tolerances unless otherwise specified	title
L	B-15815	JCO	13.09.11	linear X.X ±0.3 X.XXX ±0.13 X.XXX ±0.05	SHR HEADER 2.00 RIGHT ANGLE TMT
F	F06-0210	LMU	06.07.05	angles	scale 1:1
G	F08-0113	LMU	08.01.17	dr L.MULIN 04.09.27	
H	F08-0150	JCO	08.03.28	engr J.COMPAGNON 04.09.27	
J	F08-0145	ELA	15.04.08	chr 04.09.27	
K	F12-0088	JCO	12.07.23	appd J.M.C 04.09.27	
sheet index	revision sheet				sheet 1 of 1 size 98464 A3 type CUSTOMER Drawing