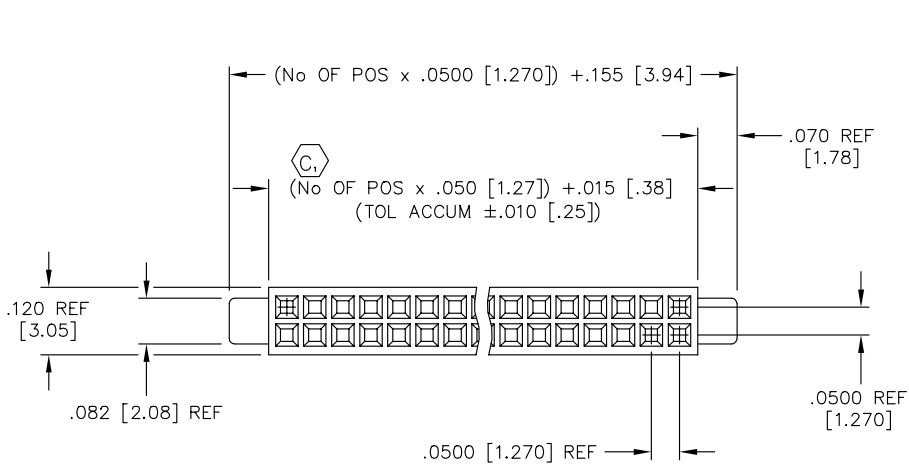


REV. H

DIMENSIONS ARE IN INCHES			UNLESS OTHERWISE NOTED	TOLERANCES ARE:	TITLE:	DWG NO:
ONE PLACE DECIMALS ± .1 [2.54]	THREE PLACE DECIMALS ± .005 [.13]	ANGLES ± 2°			.050 x .050 EDGE MOUNT SOCKET STRIP DUAL ROW ASSEMBLY	EMF-1XX-XX-X-D
TWO PLACE DECIMALS ± .01 [.25]	FOUR PLACE DECIMALS ± .0020 [.05]					SHEET 1 OF 1



EMF-1XX-XX-XX-D

No OF POSITIONS
 -05 THRU -50 (PER ROW)

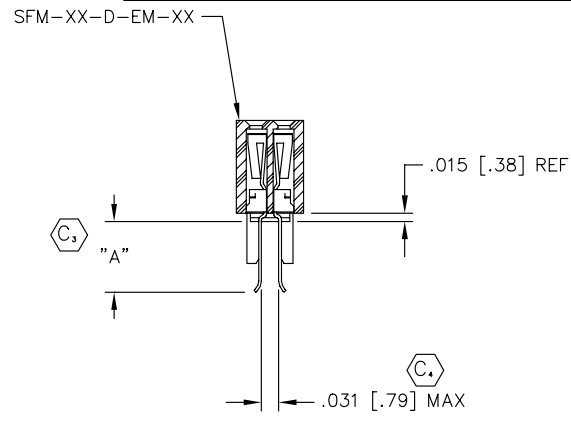
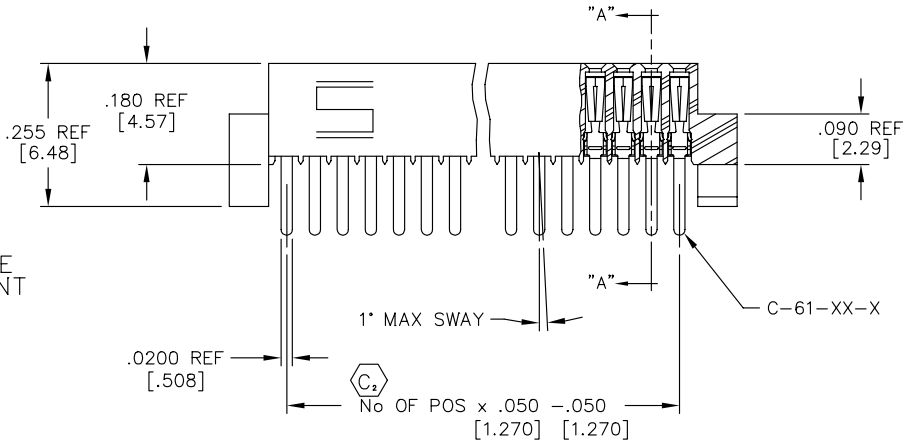
LEAD STYLE
 -01: EDGE MOUNT (.031")
 *-02: EDGE MOUNT (.062")

BODY SPECIFICATION
 -D: DOUBLE ROW (USE SFM-XX-D-EM-XX)

PLATING SPECIFICATION
 -P: GOLD FLASHED PALLADIUM NICKEL
 -F: FLASH SELECTIVE GOLD
 -L: LIGHT SELECTIVE GOLD
 -S: SELECTIVE GOLD
 -FM: FLASH SELECTIVE GOLD, MATTE TIN TAIL
 -LM: LIGHT SELECTIVE GOLD, MATTE TIN TAIL
 -SM: SELECTIVE GOLD, MATTE TIN TAIL

* NOT RELEASED

LEAD STYLE	BODY	CONTACT	"A"
-01	SFM-XX-D-EM-01	C-61-06-X	.126 [3.20]
*-02	SFM-XX-D-EM-02	C-61-08-X	.105 [2.67]



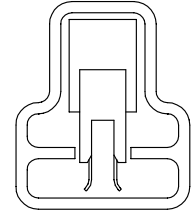
DO NOT SCALE FROM THIS PRINT

- NOTES:
1. MINIMUM PUSHOUT FORCE: .5 lb.
 2. COPLANARITY; POS -15 THRU -26: .004 [.10]
POS -27 THRU -50: .006 [.15]
 3. (C) REPRESENTS CRITICAL A DIMENSION.
 4. ALL POSITIONS TO BE PACKAGED IN TUBES.

PROPRIETARY NOTE
 THIS DOCUMENT CONTAINS INFORMATION CONFIDENTIAL AND PROPRIETARY TO SAMTEC INC. AND SHALL NOT BE REPRODUCED OR TRANSFERRED TO OTHER DOCUMENTS OR DISCLOSED TO OTHERS OR USED FOR ANY PURPOSE OTHER THAN THAT FOR WHICH IT WAS OBTAINED WITHOUT THE EXPRESSED WRITTEN CONSENT OF SAMTEC INC.

PACKAGING VIEW

PT-1-24-01-43
 TP-24



PLOT SCALE 1=.175



520 PARK EAST BLVD. NEW ALBANY, INDIANA 47150
 PHONE (812) 944-6733 P.O. BOX 1147
 CODE 55322

MADE BY:
 PURVIS 7-26-96

EMF-1XX-XX-X-D
 SHEET 1 OF 1