

SPECIFICATIONS

2-15 circuits available

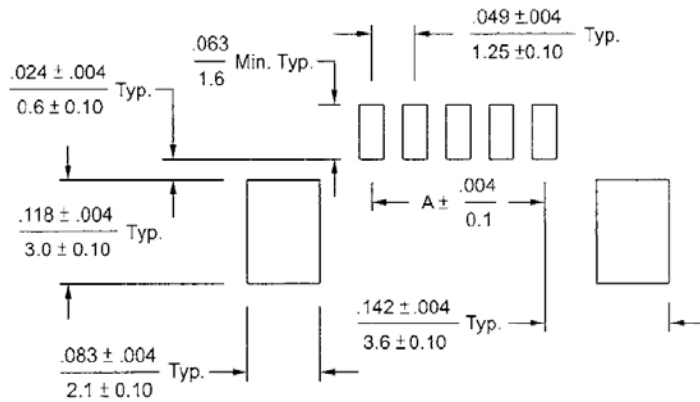
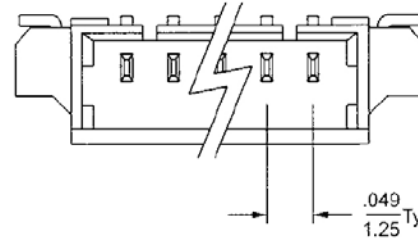
Material:

4/6 nylon, UL94V-0

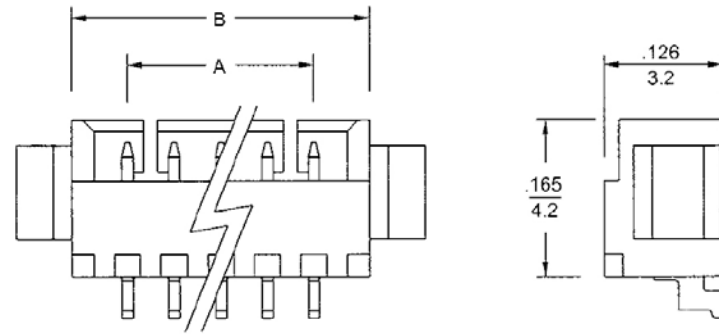
Finish:

Tin plated phosphor bronze

inches
mm



PCB Layout: Solder Side



Dimensions

Circuits	A	B	Circuits	A	B	Circuits	A	B
2	.049 (1.25)	.167 (4.25)	7	.295 (7.50)	.413 (10.50)	12	.541 (13.75)	.659 (16.75)
3	.098 (2.50)	.217 (5.50)	8	.344 (8.75)	.463 (11.75)	13	.591 (15.00)	.709 (18.00)
4	.148 (3.75)	.266 (6.75)	9	.394 (10.00)	.512 (13.00)	14	.640 (16.25)	.758 (19.25)
5	.197 (5.00)	.315 (8.00)	10	.443 (11.25)	.561 (14.25)	15	.689 (17.50)	.807 (20.50)
6	.246 (6.25)	.364 (9.25)	11	.492 (12.50)	.610 (15.50)			

RoHS compliant

Rev.	Description	Date	Approved	Drawing	Name	Date
				Approved	Howard	12/24/08
				Checked	Lizzy	12/24/08
				Drawn	Tina	12/24/08
				0.0 ± 0.35	0.00 ± 0.20	Angles ± 3'
				UNIT: mm		

Central Components Manufacturing
440 Lincoln Blvd., Middlesex, New Jersey 08846
Phone 732 469-5720 888 288-5152 Fax 732 469-1919

Part No.: **JS-A-9850-XX**

Description: .049" (1.25mm) Pitch Wire-to-Board Header