

6

5

4

3

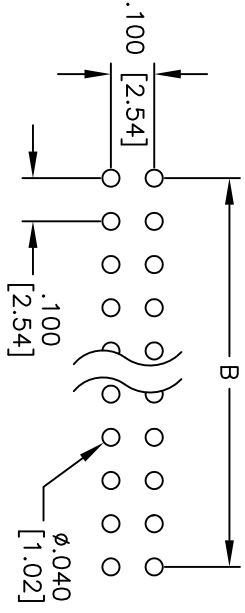
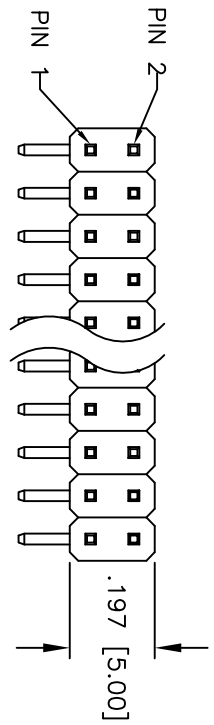
2

1

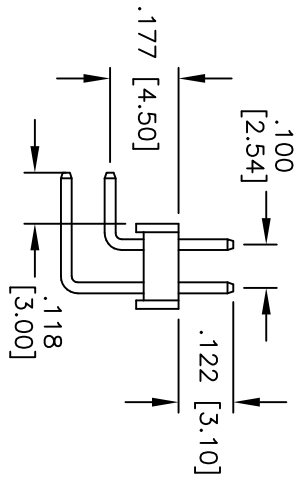
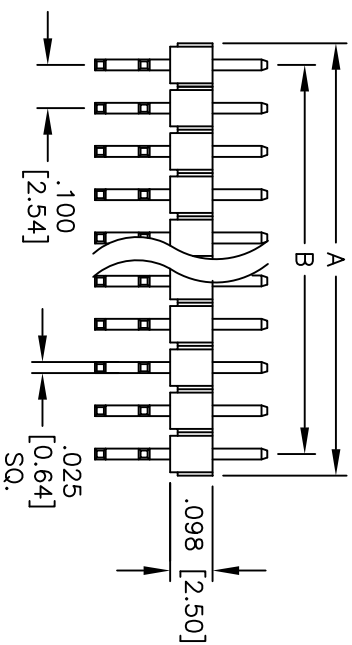
Rev	AWO #	Description	Date	Appr
-		RELEASED	9/06/10	

APPROVED: _____

DATE: _____ TITLE: _____



RECOMMENDED PCB LAYOUT



SPECIFICATIONS:

Material:

Insulator: PBT, rated UL 94V-0

Insulator color: Black

Contacts: Brass

Plating: Gold flash over Nickel underplate overall

Electrical:

Current rating: 3 Amps max

Contact resistance: 20 mohms max. Initial

Insulation resistance: 5000 Mohms min @ 500V

Dielectric voltage: 500 VAC for 1 minute

Temperature Rating: Operating temperature: -55°C to +105°C

Environmental:

Lead free, RoHS compliant.

Recommended soldering temp: 235°C for 5 sec.



A = .100 [2.54] X No. of Positions.
 B = .100 [2.54] X No. of Spaces.

UNLESS OTHERWISE SPECIFIED
 ALL DIMENSIONS ARE INCHES [MM]
 TOLERANCES: EXCEPT AS NOTED
 INCHES Holes
 .X ± .10 ØXX ± .10
 .XX ± .020 ØXX ± .015
 .XXX ± .015 ØXXX ± .010

ADAM TECH
 909 Rahway Avenue, Union, NJ 07083
 Phone: 908-687-5000 Fax: 908-687-5710

TITLE: .100 [2.54] DUAL ROW PIN HEADER, GOLD PLATED

APPROVALS	DATE	SIZE	PART NO.	REV.
DRAWN DY	9/06/10	X	PH2RA-XX-U-.122/118/177	-
CHECKED		REF:	SCALE: NTS	SHEET 1 OF 1
APPROVED				

6

5

4

3

2

1