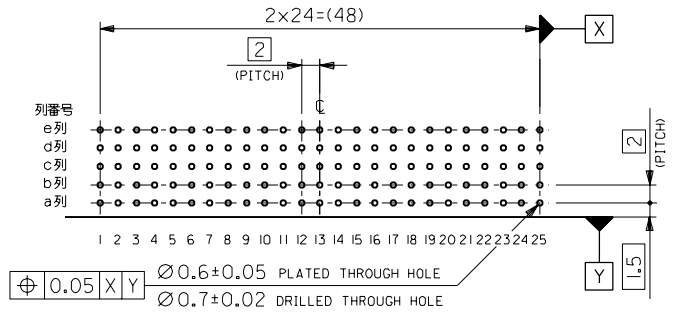
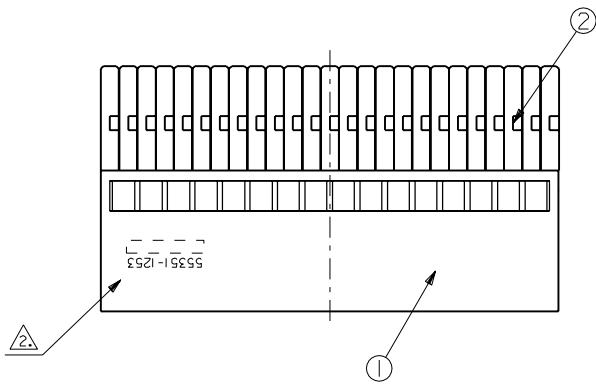


DWG. NO. SD-55351-008

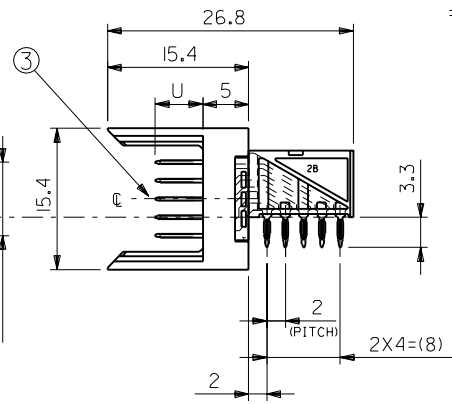
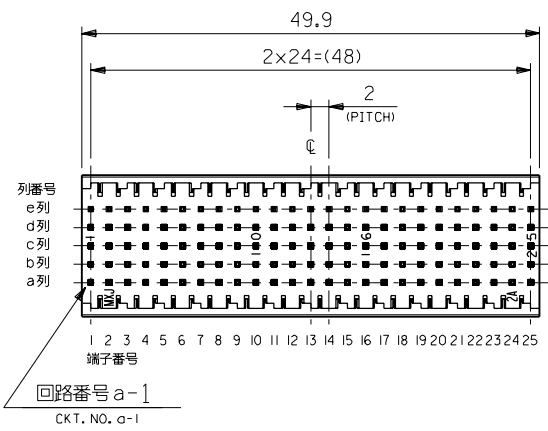
番号 NO.	部品 PART NAME	材質 MATERIAL	仕上げ FINISH
①	リセプタクル ハウジング RECEPTACLE HOUSING	ポリエステル, ガラス充填, 灰色, UL94V-0 PBT GLASS FILLED, GRAY, UL94V-0	—
②	モジュール MODULE	ポリエステル, ガラス充填, 灰色, UL94V-0 PBT GLASS FILLED, GRAY, UL94V-0	—
③	リセプタクル ターミナル RECEPTACLE TERMINAL	リン青銅 PHOSPHOR BRONZE	△



基板穴推奨寸法 (推奨基板厚: 1.4~4.2mm)
RECOMMENDED P.C.B. LAYOUT (RECOMMENDED P.C.B. THICKNESS: 1.4 ~ 4.2mm)

注記
NOTES

- △ ターミナルめっき仕様
TERMINAL PLATING
金めっき: 0.8 μ m MIN. (接点部)
GOLD: 0.8 μ m MIN. (CONTACT AREA)
半田めっき: 0.5 μ m MIN. (プレスフィット部)
TIN-LEAD: 0.5 μ m MIN. (PRESS-FIT AREA)
ニッケルめっき: 1.3 μ m MIN. (下地めっき)
NICKEL: 1.3 μ m MIN. (UNDER PLATING)
- △ 製品番号及びロットナンバー
MODEL NO. & LOT NO.



DO NOT SCALE DRAWING

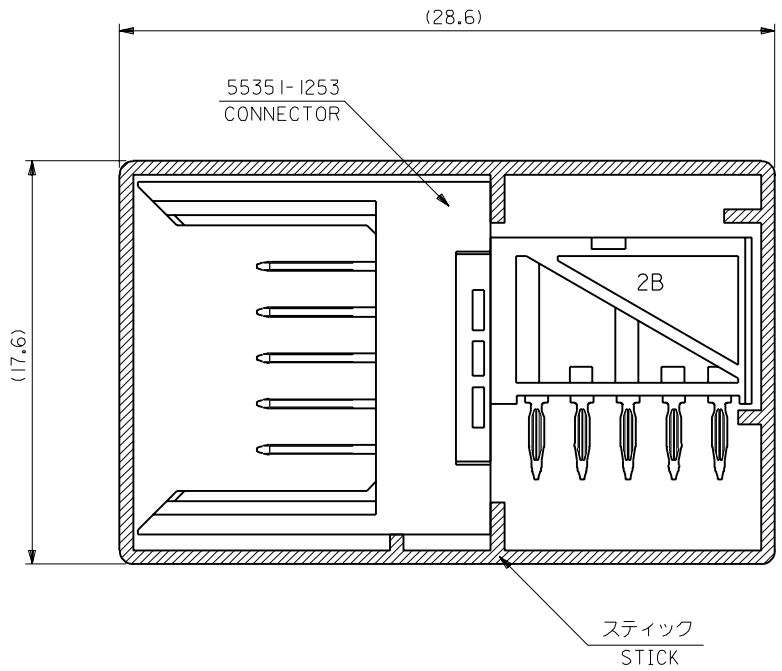
EC NO. DRWN: CHK: APPR:	EC NO. DRWN: CHK: APPR:	EC NO. DRWN: CHK: APPR:	REVISED JD2001-0294 DRWN: S.ANDO CHK: A.NODA APPR: H.IKESUGI	RELEASED JD2000-0570 DRWN: S.ANDO CHK: A.NODA APPR: H.IKESUGI	DESCRIPTION	MATERIAL 材料	FINISH 仕上げ	WIRE RANGE 通所電線範囲	INS. RANGE 被覆外径
						—	—	—	—
						—	—	—	—
						—	—	—	—

GENERAL TOLERANCES: (UNLESS SPECIFIED) 一般公差		SCALE 2-1	DESIGN UNITS <input checked="" type="checkbox"/> mm <input type="checkbox"/> INCH	THIRD ANGLE PROJECTION
10 UNDER 未満	+0.2	DRAWN BY & DATE S. Ando 99/12/14		TITLE: "MZZ" B/B CONN. PLUG RIGHT ANGLE ASS'Y TYPE B (125PIN)
10 OVER 以上	+0.25	CHECKED BY & DATE A. Noda 99/12/14		
30 OVER 以上	+0.3	APPROVED BY & DATE S. Ando 99/12/14		
ANGLE 角度	+3°	CAD FILE NAME SD-55351-008.S01		

5.2	55351-1253	125
U	MATERIAL NO.	極数 PIN
DIMENSIONS: <input type="checkbox"/> mm <input type="checkbox"/> INCH <input checked="" type="checkbox"/> mm ONLY		
		SHT REV
REVISE ON CAD ONLY		
MOLEX INCORPORATED		
MATERIAL NO. SEE TABLE	DRAWING NO. SD-55351-008	SHEET NO. 1 OF 1
THIS DRAWING CONTAINS INFORMATION THAT IS PROPRIETARY TO MOLEX INCORPORATED AND SHOULD NOT BE USED WITHOUT WRITTEN PERMISSION.		SIZE B

SD-55351-008.59A

DWG. NO. SD-55351-014



注記
NOTES

- スティック両端はテープ止め。
BOTH ENDS WITH TAPES.
- 全長：560±2
TOTAL LENGTH: 560±2
- 肉厚：0.6±0.2
THICKNESS: 0.6±0.2

11	55351-1259	125
梱包数 QUANTITY	MATERIAL NO.	極数 PIN

DIMENSIONS:		SHT	REV
<input type="checkbox"/> mm	<input type="checkbox"/> INCH	<input checked="" type="checkbox"/> mm	<input type="checkbox"/> ONLY
		REVISE ON CAD ONLY	

DO NOT SCALE DRAWING

EC NO. DRWN: CHK: APPR:	EC NO. DRWN: CHK: APPR:	EC NO. DRWN: CHK: APPR:	EC NO. DRWN: CHK: APPR:	EC NO. DRWN: CHK: APPR:
----------------------------------	----------------------------------	----------------------------------	----------------------------------	----------------------------------

RELEASED
EC NO. JD2001-0294
DRWN: S.ANDO 01/01/19
CHK: A.NODA 01/01/19
APPR: H.IKESUGI 01/01/19

MATERIAL 材料	スティック：ポリ塩化ビニル STICK: PVC
FINISH 仕上げ	—
WIRE RANGE 適用電線範囲	—
INS. RANGE 被覆外径	—

GENERAL TOLERANCES: (UNLESS SPECIFIED) 一般公差	SCALE 5-1	DESIGN UNITS <input checked="" type="checkbox"/> mm <input type="checkbox"/> INCH
10 UNDER 未満	+0.2	DRAWN BY & DATE S. Ando '01/01/19
10 OVER 以上	+0.25	CHECKED BY & DATE A. Noda '01/01/19
30 OVER 以上	+0.3	APPROVER BY & DATE H. Ikessugi '01/01/19
ANGLE 角度	+3°	CAD FILENAME SD-55351-014.S01

TITLE:
"MZP" B/B CONN. PLUG RIGHT-ANGLE
ASS'Y TYPE B (125PIN)
STICK PACKAGING

MOLEX INCORPORATED		MATERIAL NO. SEE TABLE	DRAWING NO. SD-55351-014	SHEET NO. 1 OF 1
THIS DRAWING CONTAINS INFORMATION THAT IS PROPRIETARY TO MOLEX INCORPORATED AND SHOULD NOT BE USED WITHOUT WRITTEN PERMISSION.				SIZE B