

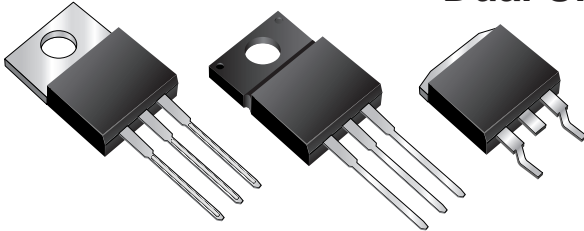


BYV32, BYVF32 & BYVB32 Series

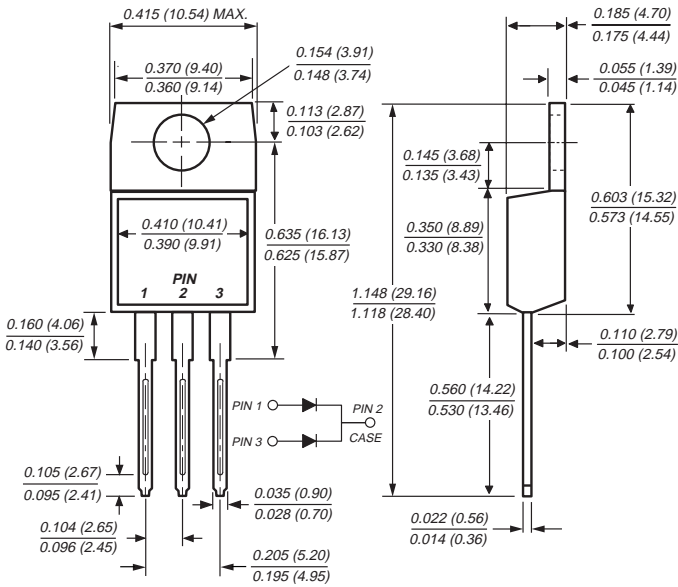
Vishay Semiconductors
formerly General Semiconductor

Dual Ultrafast Rectifiers

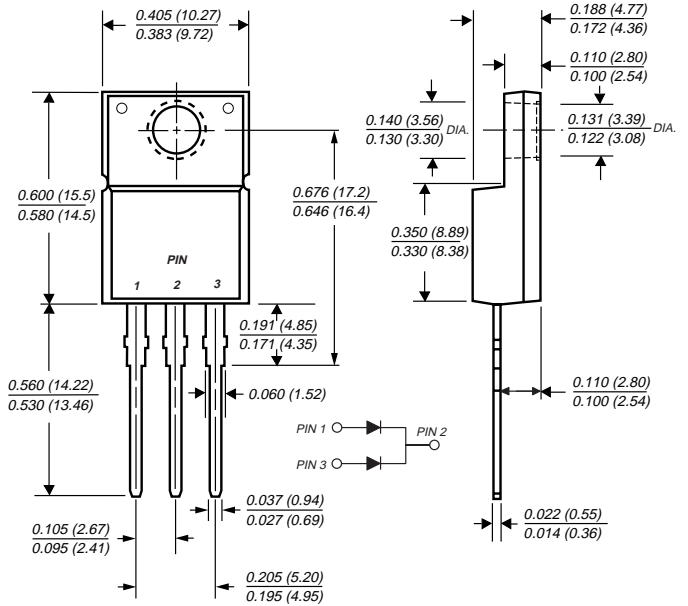
Reverse Voltage 50 to 200V
Forward Current 18A
Reverse Recovery Time 25ns



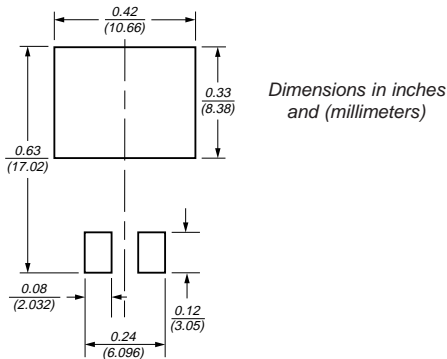
TO-220AB (BYV32 Series)



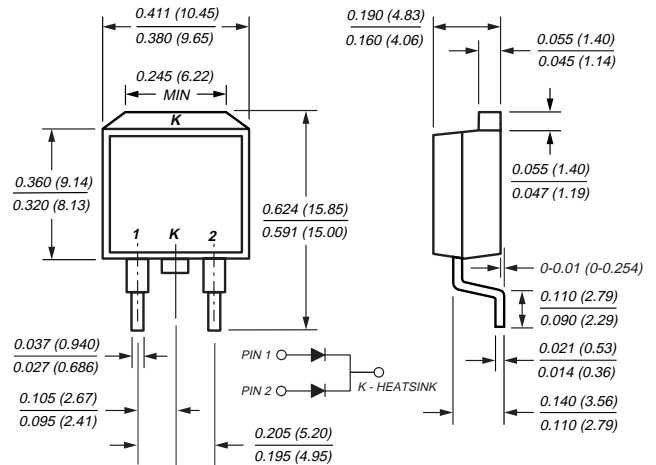
ITO-220AB (BYVF32 Series)



Mounting Pad Layout TO-263AB



TO-263AB (BYVB32 Series)



Features

- Plastic package has Underwriters Laboratory Flammability Classification 94V-0
- Dual rectifier construction, positive centertap
- Glass passivated chip junctions
- Low power loss
- Low forward voltage, high current capability
- High surge current capability
- Superfast recovery times for high efficiency

Mechanical Data

Case: JEDEC TO-220AB, ITO-220AB & TO-263AB molded plastic body

Terminals: Plated leads, solderable per MIL-STD-750, Method 2026

High temperature soldering guaranteed: 250°C, 0.16" (4.06mm) from case for 10 seconds

Polarity: As marked **Mounting Position:** Any

Mounting Torque: 10 in-lbs maximum

Weight: 0.08 oz., 2.24 g

BYV32, BYVF32 & BYVB32 Series



Vishay Semiconductors
formerly General Semiconductor

Maximum Ratings (T_C = 25°C unless otherwise noted)

Parameter	Symbol	BYV32-50	BYV32-100	BYV32-150	BYV32-200	Unit
Maximum repetitive peak reverse voltage	V _{RRM}	50	100	150	200	V
Maximum RMS voltage	V _{RMS}	35	70	105	140	V
Maximum DC blocking voltage	V _{DC}	50	100	150	200	V
Maximum average forward rectified current at T _C = 125°C	I _{F(AV)}	18				A
Peak forward surge current 8.3ms single half sine-wave superimposed on rated load (JEDEC Method) per leg	I _{FSM}	150				A
Operating junction and storage temperature range	T _J , T _{STG}	-65 to +150				°C
RMS Isolation voltage (BYVF type only) from terminals to heatsink with t = 1.0 second, RH ≤ 30%	V _{ISOL}	4500 ⁽¹⁾ 3500 ⁽²⁾ 1500 ⁽³⁾				V

Electrical Characteristics (T_C = 25°C unless otherwise noted)

Parameter	Symbol	BYV32-50	BYV32-100	BYV32-150	BYV32-200	Unit
Maximum instantaneous forward voltage per leg at: ⁽⁴⁾ at I _F = 20A at I _F = 5.0A, T _J = 100°C	V _F	1.15 0.85				V
Maximum DC reverse current per leg at rated DC blocking voltage T _J = 25°C T _J = 100°C	I _R	10 600				μA
Maximum reverse recovery time per leg at I _F = 1A, V _R = 30V, di/dt = 100A/μs, I _{rr} = 10% I _{RM}	t _{rr}	25				ns
Typical junction capacitance per leg at 4V, 1MHz	C _J	45				pF

Thermal Characteristics (T_C = 25°C unless otherwise noted)

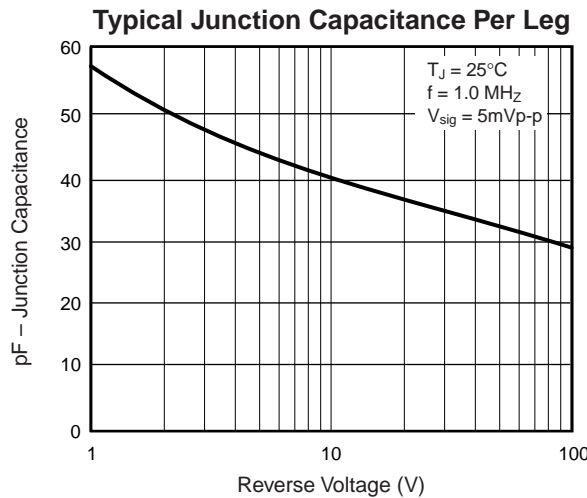
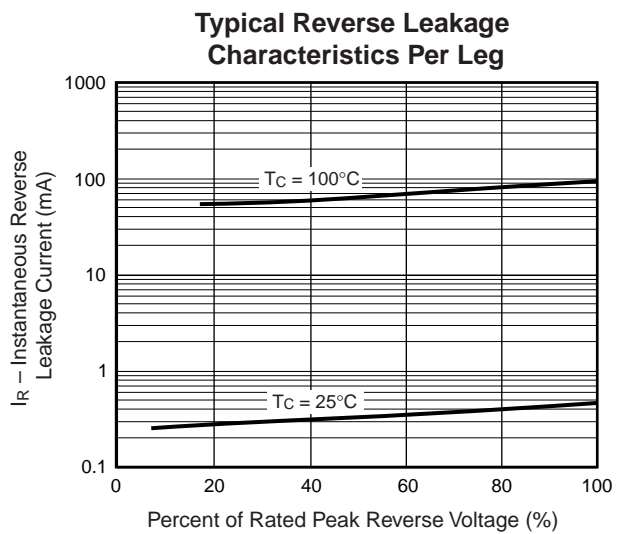
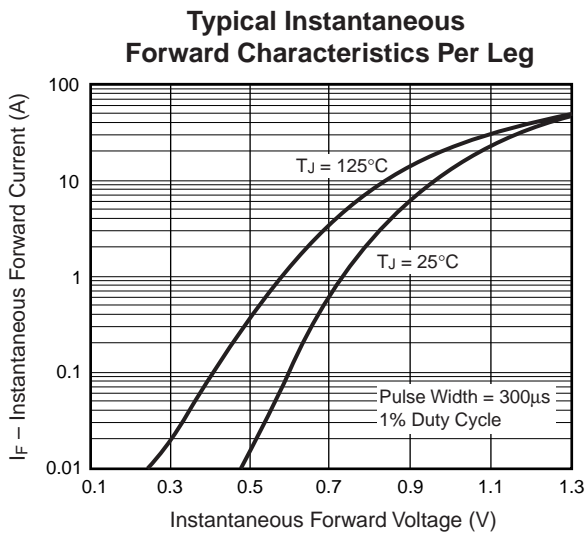
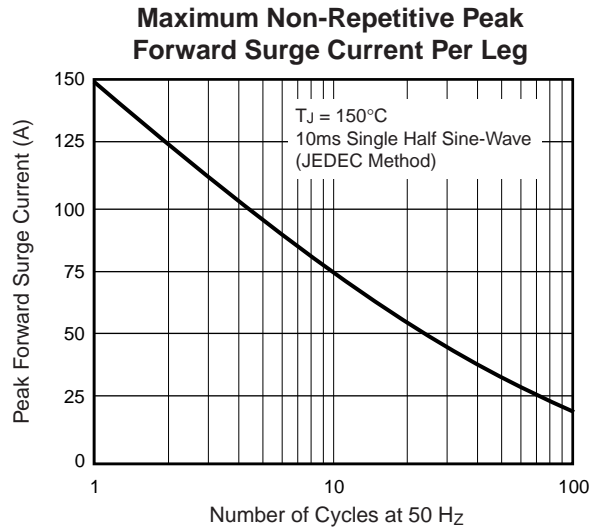
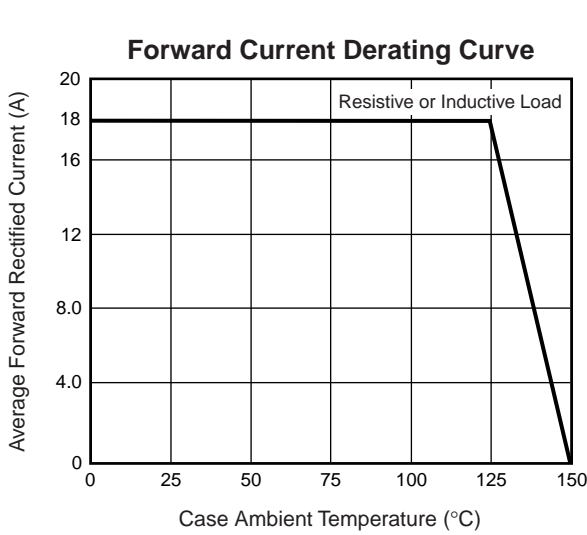
Parameter	Symbol	BYV	BYVF	BYVB	Unit
Thermal resistance from junction to case per leg	R _{θJC}	1.6	5.0	1.6	°C/W

Notes:

- (1) Clip mounting (on case), where lead does not overlap heatsink with 0.110" offset
- (2) Clip mounting (on case), where leads do overlap heatsink
- (3) Screw mounting with 4-40 screw, where washer diameter is ≤ 4.9mm (0.19")
- (4) Pulse test: 300μs pulse width, 1% duty cycle



Ratings and Characteristic Curves ($T_A = 25^\circ\text{C}$ unless otherwise noted)





Notice

Specifications of the products displayed herein are subject to change without notice. Vishay Intertechnology, Inc., or anyone on its behalf, assumes no responsibility or liability for any errors or inaccuracies.

Information contained herein is intended to provide a product description only. No license, express or implied, by estoppel or otherwise, to any intellectual property rights is granted by this document. Except as provided in Vishay's terms and conditions of sale for such products, Vishay assumes no liability whatsoever, and disclaims any express or implied warranty, relating to sale and/or use of Vishay products including liability or warranties relating to fitness for a particular purpose, merchantability, or infringement of any patent, copyright, or other intellectual property right.

The products shown herein are not designed for use in medical, life-saving, or life-sustaining applications. Customers using or selling these products for use in such applications do so at their own risk and agree to fully indemnify Vishay for any damages resulting from such improper use or sale.