

FEATURES AND SPECIFICATIONS

Features and Benefits

- Sizes 3 to 15 circuits

Reference Information

Packaging: Bulk
 UL File No.: E29179
 CSA File No.: LR19980
 Mates With: [5244-NAHPB](#)
 Designed In: Millimeters

Electrical

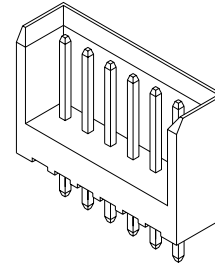
Voltage: 250V
 Current: 3.0A
 Contact Resistance: 20mΩ max.
 Dielectric Withstanding Voltage: 1000V AC/1 min.
 Insulation Resistance: 1000 MΩ min.

Physical

Housing: 6/6 nylon, UL 94V-0
 Contact: Brass
 Plating: Tin
 Operating Temperature: -40 to +105°C

molex® 2.50mm (.098") Pitch Board-to-Board Backwall Header

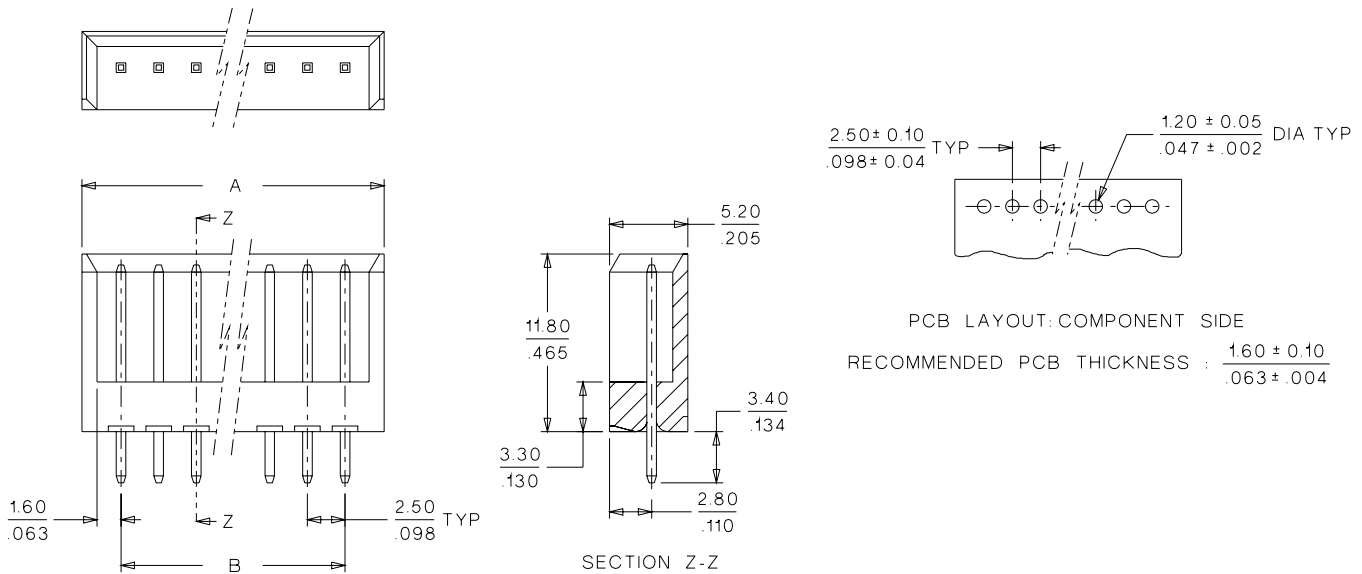
5245-NA Single Row



B

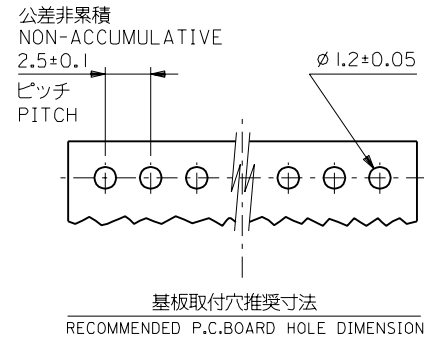
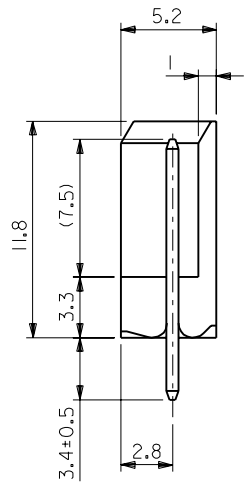
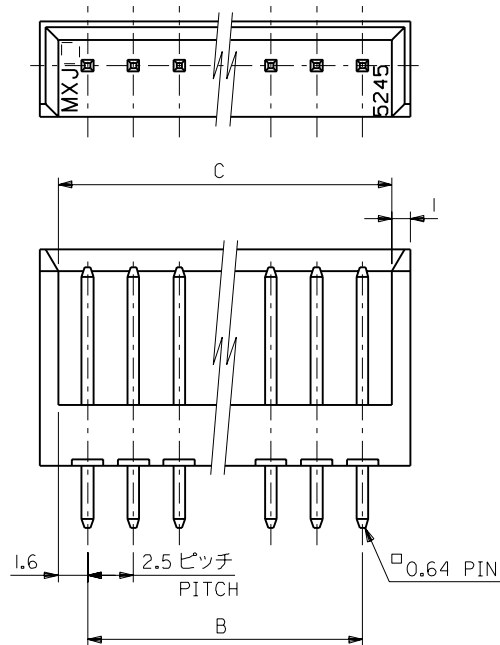
2.00 to 2.50mm (.079 to .098") Pitch

CATALOG DRAWING (FOR REFERENCE ONLY)



ORDERING INFORMATION AND DIMENSIONS

Circuits	Order No.	Dimension	
		A	B
3	22-03-5034	10.20 (.401)	5.00 (.196)
4	22-03-5044	12.70 (.499)	7.50 (.295)
5	22-03-5054	15.20 (.598)	10.00 (.393)
6	22-03-5064	17.70 (.696)	12.50 (.492)
7	22-03-5074	20.20 (.795)	15.00 (.590)
8	22-03-5084	22.70 (.893)	17.50 (.688)
9	22-03-5094	25.20 (.992)	20.00 (.787)
10	22-03-5104	27.70 (1.090)	22.50 (.885)
11	22-03-5114	30.20 (1.188)	25.00 (.984)
12	22-03-5124	32.70 (1.287)	27.50 (1.082)
13	22-03-5134	35.20 (1.385)	30.00 (1.181)
14	22-03-5144	37.70 (1.484)	32.50 (1.279)
15	22-03-5154	40.20 (1.582)	35.00 (1.377)



注)
NOTE.
1. 嵌合相手：5244-NAH・
MATES WITH 3024-NAH・3024-NCH・

47.5	50.7	22-03-5204	5245-20A	20
45	48.2	-5194	-19A	19
42.5	45.7	-5184	-18A	18
40	43.2	-5174	-17A	17
37.5	40.7	-5164	-16A	16
35	38.2	-5154	-15A	15
32.5	35.7	-5144	-14A	14
30	33.2	-5134	-13A	13
27.5	30.7	-5124	-12A	12
25	28.2	-5114	-11A	11
22.5	25.7	-5104	-10A	10
20	23.2	-5094	-09A	9
17.5	20.7	-5084	-08A	8
15	18.2	-5074	-07A	7
12.5	15.7	-5064	-06A	6
10	13.2	-5054	-05A	5
7.5	10.7	-5044	-04A	4
5	8.2	-5034	-03A	3
2.5	5.7	22-03-5024	5245-02A	2
B	C	EDP.NO.	ENG.NO.	極数 N

図4NO. DRWN: CHK: APPR:	図3NO. DRWN: CHK: APPR:	図2NO. DRWN: CHK: APPR:	図1NO. DRWN: CHK: APPR:	REDRAWN 図0NO. JC2000-0629 DRWN: K.KOHAMA 000 3/28 CHK: T.YAMAGUCHI 000 3/30 APPR: M.FUKUSHIMA 000 3/30	MATERIAL 材料 //
図4NO. DRWN: CHK: APPR:	図3NO. DRWN: CHK: APPR:	図2NO. DRWN: CHK: APPR:	図1NO. DRWN: CHK: APPR:	DESCRIPTION //	FINISH 仕上り //
図4NO. DRWN: CHK: APPR:	図3NO. DRWN: CHK: APPR:	図2NO. DRWN: CHK: APPR:	図1NO. DRWN: CHK: APPR:	WIRE RANGE 適用線径範囲 //	ANGLE 角度 +3°
図4NO. DRWN: CHK: APPR:	図3NO. DRWN: CHK: APPR:	図2NO. DRWN: CHK: APPR:	図1NO. DRWN: CHK: APPR:	INS. RANGE 被覆外径 //	GENERAL TOLERANCES: (UNLESS SPECIFIED) 一般公差 10 UNDER 未満 +0.2 10 OVER 以上 30 UNDER 未満 +0.25 30 OVER 以上 +0.3

SCALE 4:1 mm INCH <input checked="" type="checkbox"/> mm <input type="checkbox"/> INCH	DESIGN UNITS mm INCH <input checked="" type="checkbox"/> mm <input type="checkbox"/> INCH	DIMENSIONS: mm INCH <input type="checkbox"/> mm <input type="checkbox"/> INCH <input checked="" type="checkbox"/> mm ONLY	SHT REV
DRAWN BY & DATE K.KOHAMA 000/ 3/28	CHECKED BY & DATE T.YAMAGUCHI 007 3/30	APPROVED BY & DATE M.FUKUSHIMA 000/ 3/30	TITLE: 2.5 SHROUDED WAFER
CAD FILENAME S5245.S01	MATERIAL NO. 5245-***A	DRAWING NO. SD-5245-NA	SHEET NO. I
2005 DRAWING CONTAINS INFORMATION THAT IS PROPRIETARY TO MOLEX INCORPORATED AND SHOULD NOT BE USED WITHOUT WRITTEN PERMISSION.			SIZE B