



# ICS85357-11

## 4:1 OR 2:1, CRYSTAL OSCILLATOR-TO-3.3V LVPECL / ECL MULTIPLEXER

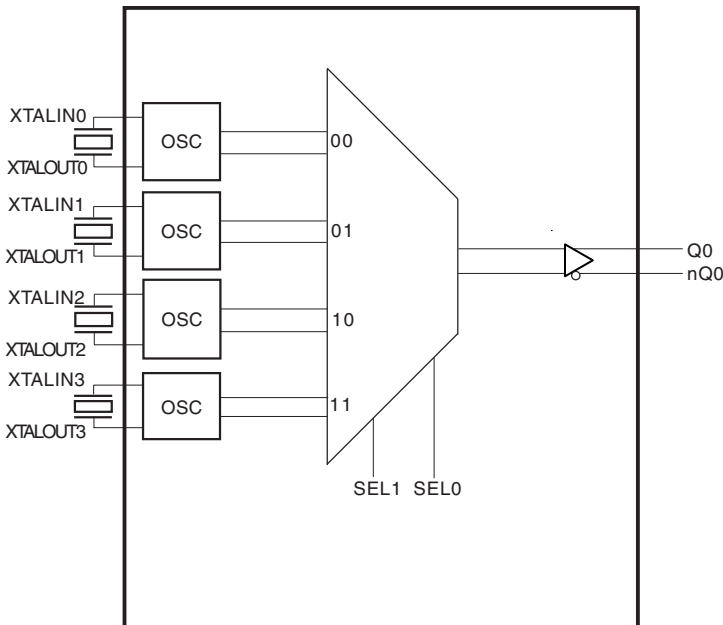
### GENERAL DESCRIPTION

The ICS85357-11 is a 4:1 or 2:1, Crystal Oscillator-to-3.3V LVPECL / ECL Multiplexer. The ICS85357-11 has 4 selectable crystal inputs. The device can support 10MHz to 27MHz parallel resonant crystals by connecting external capacitors between XTALIN/XTALOUT and ground. The select pins have internal pulldown resistors and leaving one input unconnected (pulled to logic low by the internal resistor) will transform the device into a 2:1 multiplexer. The SEL1 lead is the most significant line and the binary number applied to the select pins will select the same numbered data input (i.e., 00 selects XTALIN0/XTALOUT0).

### FEATURES

- One differential 3.3V LVPECL output
- 4:1 or 2:1 Crystal Oscillator Multiplexer
- Supports parallel resonant crystals with a frequency range of 10MHz to 27MHz. The oscillator circuit is optimized for parallel resonant mode, and will require external capacitance
- Maximum output frequency: 27MHz
- LVCMOS/LVTTL SEL0 and SEL1 inputs have internal pulldown resistors
- LVPECL mode operating voltage supply range:  $V_{CC} = 3.135V$  to  $3.465V$ ,  $V_{EE} = 0V$
- ECL mode operating voltage supply range:  $V_{CC} = 0V$ ,  $V_{EE} = -3.135V$  to  $-3.465V$
- 0°C to 70°C ambient operating temperature
- Industrial temperature information available upon request
- Available in both standard (R0HS 5) and lead-free (RoHS 6) packages

### BLOCK DIAGRAM



### PIN ASSIGNMENT

V <sub>CC</sub>	1	20	V <sub>CC</sub>
XTALIN0	2	19	SEL1
XTALOUT0	3	18	SEL0
XTALIN1	4	17	V <sub>CC</sub>
XTALOUT1	5	16	Q0
XTALIN2	6	15	nQ0
XTALOUT2	7	14	V <sub>CC</sub>
XTALIN3	8	13	nc
XTALOUT3	9	12	nc
V <sub>EE</sub>	10	11	V <sub>EE</sub>

### ICS85357-11

20-Lead TSSOP

4.40mm x 6.50mm x 0.92mm body package

G Package

Top View



# ICS85357-11

## 4:1 OR 2:1, CRYSTAL OSCILLATOR-TO-3.3V LVPECL / ECL MULTIPLEXER

**TABLE 1. PIN DESCRIPTIONS**

Number	Name	Type		Description
1, 14, 17, 20	V <sub>CC</sub>	Power		Positive supply pins.
2	XTALIN0	Input		Parallel resonant crystal input.
3	XTALOUT0	Input		Parallel resonant crystal input.
4	XTALIN1	Input		Parallel resonant crystal input.
5	XTALOUT1	Input		Parallel resonant crystal input.
6	XTALIN2	Input		Parallel resonant crystal input.
7	XTALOUT2	Input		Parallel resonant crystal input.
8	XTALIN3	Input		Parallel resonant crystal input.
9	XTALOUT3	Input		Parallel resonant crystal input.
10, 11	V <sub>EE</sub>	Power		Negative supply pins.
12, 13	nc	Unused		No connect.
15, 16	nQ0, Q0	Output		Differential clock outputs. LVPECL interface levels.
18	SEL0	Input	Pulldown	Clock select input. LVCMOS / LVTTTL interface levels.
19	SEL1	Input	Pulldown	Clock select input. LVCMOS / LVTTTL interface levels.

NOTE: *Pullup* and *Pulldown* refer to internal input resistors. See Table 2, Pin Characteristics, for typical values.

**TABLE 2. PIN CHARACTERISTICS**

Symbol	Parameter	Test Conditions	Minimum	Typical	Maximum	Units
C <sub>IN</sub>	Input Capacitance			4		pF
R <sub>PULLDOWN</sub>	Input Pulldown Resistor			51		kΩ

**TABLE 3A. CONTROL INPUT FUNCTION TABLE**

Inputs		Clock Out
SEL1	SEL0	CLK
0	0	XTALIN0, XTALOUT0
0	1	XTALIN1, XTALOUT1
1	0	XTALIN2, XTALOUT2
1	1	XTALIN3, XTALOUT3



# ICS85357-11

## 4:1 OR 2:1, CRYSTAL OSCILLATOR-TO-3.3V LVPECL / ECL MULTIPLEXER

### ABSOLUTE MAXIMUM RATINGS

Supply Voltage, $V_{CC}$	4.6V
Inputs, $V_i$	-0.5V to $V_{CC} + 0.5V$
Outputs, $V_o$	-0.5V to $V_{CC} + 0.5V$
Package Thermal Impedance, $\theta_{JA}$	73.2°C/W (0 lfp/m)
Storage Temperature, $T_{STG}$	-65°C to 150°C

NOTE: Stresses beyond those listed under Absolute Maximum Ratings may cause permanent damage to the device. These ratings are stress specifications only. Functional operation of product at these conditions or any conditions beyond those listed in the *DC Characteristics* or *AC Characteristics* is not implied. Exposure to absolute maximum rating conditions for extended periods may affect product reliability.

**TABLE 4A. POWER SUPPLY DC CHARACTERISTICS,  $V_{CC} = 3.3V \pm 5\%$ ,  $T_A = 0^\circ C$  TO  $70^\circ C$**

Symbol	Parameter	Test Conditions	Minimum	Typical	Maximum	Units
$V_{CC}$	Positive Supply Voltage		3.135	3.3	3.465	V
$I_{EE}$	Power Supply Current				50	mA

**TABLE 4B. LVCMOS / LVTTTL DC CHARACTERISTICS,  $V_{CC} = 3.3V \pm 5\%$ ,  $T_A = 0^\circ C$  TO  $70^\circ C$**

Symbol	Parameter	Test Conditions	Minimum	Typical	Maximum	Units
$V_{IH}$	Input High Voltage	SEL0, SEL1	2		$V_{CC} + 0.3$	V
$V_{IL}$	Input Low Voltage	SEL0, SEL1	-0.3		0.8	V
$I_{IH}$	Input High Current	SEL0, SEL1 $V_{CC} = V_{IN} = 3.465V$			150	$\mu A$
$I_{IL}$	Input Low Current	SEL0, SEL1 $V_{CC} = 3.465V, V_{IN} = 0V$	-5			$\mu A$

**TABLE 4C. LVPECL DC CHARACTERISTICS,  $V_{CC} = 3.3V \pm 5\%$ ,  $T_A = 0^\circ C$  TO  $70^\circ C$**

Symbol	Parameter	Test Conditions	Minimum	Typical	Maximum	Units
$V_{OH}$	Output High Voltage; NOTE 1		$V_{CC} - 1.4$		$V_{CC} - 0.9$	V
$V_{OL}$	Output Low Voltage; NOTE 1		$V_{CC} - 2.0$		$V_{CC} - 1.7$	V
$V_{SWING}$	Peak-to-Peak Output Voltage Swing		0.6		1.0	V

NOTE 1: Outputs terminated with  $50\Omega$  to  $V_{CC} - 2V$ .

**TABLE 5. CRYSTAL CHARACTERISTICS**

Parameter	Test Conditions	Minimum	Typical	Maximum	Units
Mode of Oscillation / cut		Fundamental / Parallel Resonant			
Frequency		10		27	MHz
Equivalent Series Resistance (ESR)				70	$\Omega$
Shunt Capacitance				7	pF

**TABLE 6. AC CHARACTERISTICS,  $V_{CC} = 3.3V \pm 5\%$ ,  $T_A = 0^\circ C$  TO  $70^\circ C$**

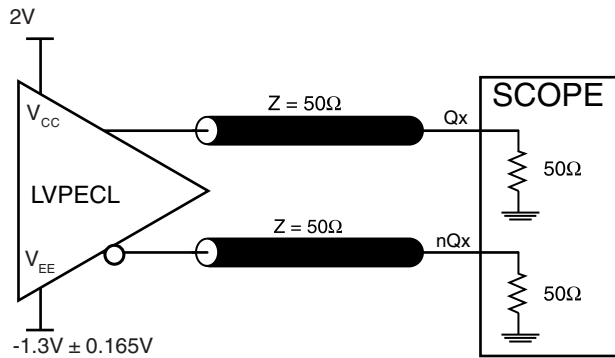
Symbol	Parameter	Test Conditions	Minimum	Typical	Maximum	Units
$f_{MAX}$	Output Frequency Range		10		27	MHz
$t_R / t_F$	Output Rise/Fall Time	20% to 80%	300		700	ps
odc	Output Duty Cycle; NOTE 1, 2		47		53	%
oscTOL	Crystal Oscillator Tolerance; NOTE 1			$\pm 20$		ppm

All parameters measured at 25MHz unless noted otherwise.

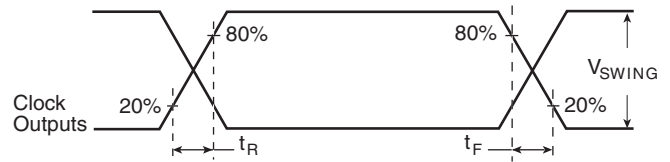
NOTE 1: Measured using  $C1 = 22pF$  and  $C2 = 27pF$  in parallel with 18pF crystals. Refer to Crystal Input Interface in the Application Section.

NOTE 2: This parameter is defined in accordance with JEDEC Standard 65.

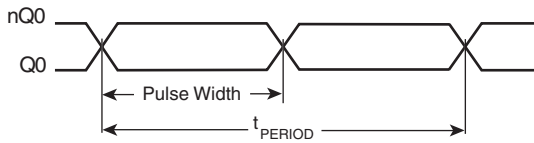
## PARAMETER MEASUREMENT INFORMATION



**3.3V OUTPUT LOAD AC TEST CIRCUIT**



**OUTPUT RISE/FALL TIME**



$$\text{odc} = \frac{t_{\text{PW}}}{t_{\text{PERIOD}}}$$

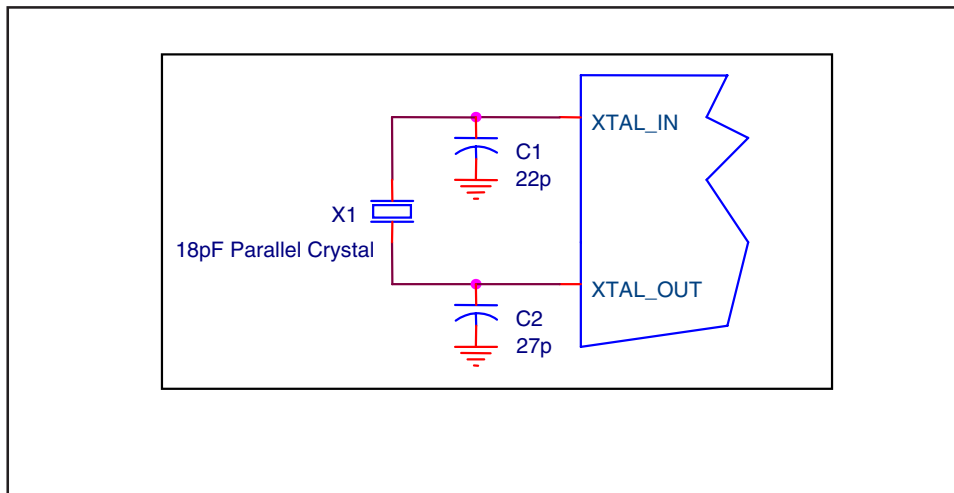
**OUTPUT DUTY CYCLE/PULSE WIDTH/PERIOD**

## APPLICATION INFORMATION

### CRYSTAL INPUT INTERFACE

A crystal can be characterized for either series or parallel mode operation. The ICS85357-11 has a built-in crystal oscillator circuit. This interface can accept either a series or parallel crystal without additional components and generate frequencies with accuracy

suitable for most applications. Additional accuracy can be achieved by adding two small capacitors C1 and C2 as shown in *Figure 1*. Typical results using parallel 18pF crystals are shown in Table 7.



**FIGURE 1. Crystal Input Interface**

**Table 7. TYPICAL RESULTS OF CRYSTAL INPUT INTERFACE FREQUENCY FINE TUNING**

Crystal Frequency (MHz)	C1 (pF)	C2 (pF)	Measured Output Frequency (MHz)	Accuracy (PPM)	Duty Cycle (%)
14.31818	22	27	14.318011	-12	47.46
15.00	22	27	14.999862	-9	47.70
16.66	22	27	16.660162	10	47.70
19.44	22	27	19.440081	4	46.85
24.00	22	27	24.000183	8	46.00

### TERMINATION FOR LVPECL OUTPUTS

The clock layout topology shown below is a typical termination for LVPECL outputs. The two different layouts mentioned are recommended only as guidelines.

FOUT and nFOUT are low impedance follower outputs that generate ECL/LVPECL compatible outputs. Therefore, terminating resistors (DC current path to ground) or current sources must be used for functionality. These outputs are designed to drive

50Ω transmission lines. Matched impedance techniques should be used to maximize operating frequency and minimize signal distortion. *Figures 2A and 2B* show two different layouts which are recommended only as guidelines. Other suitable clock layouts may exist and it would be recommended that the board designers simulate to guarantee compatibility across all printed circuit and clock component process variations.

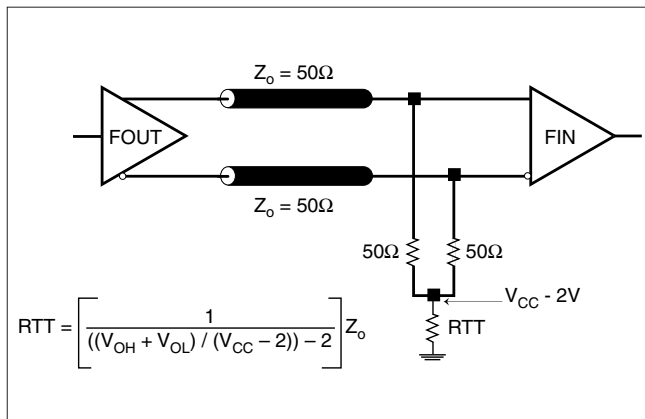


FIGURE 2A. LVPECL OUTPUT TERMINATION

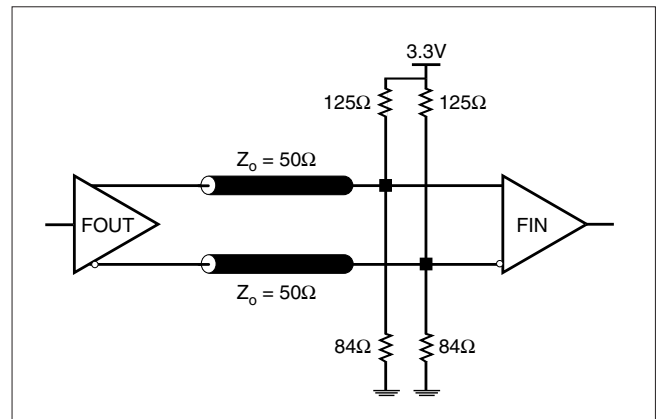


FIGURE 2B. LVPECL OUTPUT TERMINATION



## POWER CONSIDERATIONS

This section provides information on power dissipation and junction temperature for the ICS85357-11. Equations and example calculations are also provided.

### 1. Power Dissipation.

The total power dissipation for the ICS85357-11 is the sum of the core power plus the power dissipated in the load(s). The following is the power dissipation for  $V_{CC} = 3.3V + 5\% = 3.465V$ , which gives worst case results.

**NOTE:** Please refer to Section 3 for details on calculating power dissipated in the load.

- Power (core)<sub>MAX</sub> =  $V_{CC\_MAX} * I_{EE\_MAX} = 3.465V * 50mA = 173.3mW$
- Power (outputs)<sub>MAX</sub> = **30mW/Loaded Output pair**

**Total Power**<sub>MAX</sub> (3.465V, with all outputs switching) = 173.3mW + 30mW = **203.3mW**

### 2. Junction Temperature.

Junction temperature,  $T_j$ , is the temperature at the junction of the bond wire and bond pad and directly affects the reliability of the device. The maximum recommended junction temperature for the devices is 125°C.

The equation for  $T_j$  is as follows:  $T_j = \theta_{JA} * Pd\_total + T_A$

$T_j$  = Junction Temperature

$\theta_{JA}$  = Junction-to-Ambient Thermal Resistance

$Pd\_total$  = Total Device Power Dissipation (example calculation is in section 1 above)

$T_A$  = Ambient Temperature

In order to calculate junction temperature, the appropriate junction-to-ambient thermal resistance  $\theta_{JA}$  must be used. Assuming a moderate air flow of 200 linear feet per minute and a multi-layer board, the appropriate value is 66.6°C/W per Table 8 below.

Therefore,  $T_j$  for an ambient temperature of 70°C with all outputs switching is:

$70°C + 0.203W * 66.6°C/W = 83.5°C$ . This is well below the limit of 125°C

This calculation is only an example.  $T_j$  will obviously vary depending on the number of loaded outputs, supply voltage, air flow, and the type of board (single layer or multi-layer).

**TABLE 8. THERMAL RESISTANCE  $\theta_{JA}$  FOR 20-PIN TSSOP, FORCED CONVECTION**

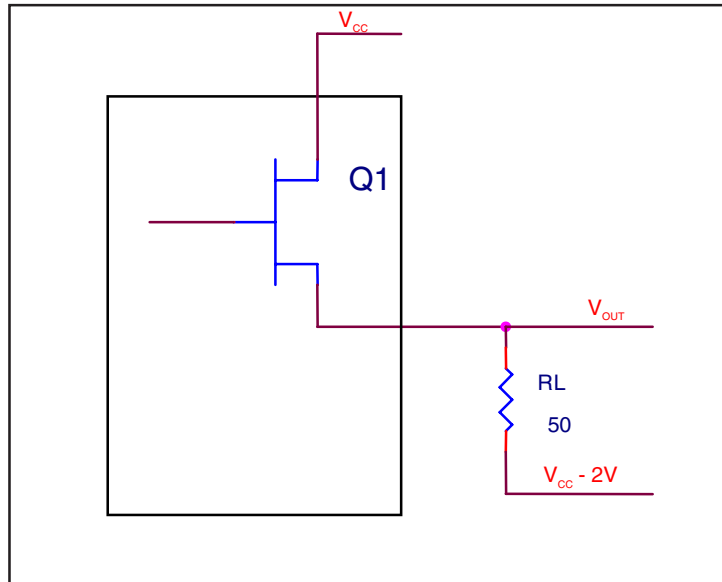
<b><math>\theta_{JA}</math> by Velocity (Linear Feet per Minute)</b>			
	<b>0</b>	<b>200</b>	<b>500</b>
Single-Layer PCB, JEDEC Standard Test Boards	114.5°C/W	98.0°C/W	88.0°C/W
Multi-Layer PCB, JEDEC Standard Test Boards	73.2°C/W	66.6°C/W	63.5°C/W

**NOTE:** Most modern PCB designs use multi-layered boards. The data in the second row pertains to most designs.

### 3. Calculations and Equations.

The purpose of this section is to derive the power dissipated into the load.

LVPECL output driver circuit and termination are shown in *Figure 3*.



**FIGURE 3. LVPECL DRIVER CIRCUIT AND TERMINATION**

To calculate worst case power dissipation into the load, use the following equations which assume a 50Ω load, and a termination voltage of  $V_{CC} - 2V$ .

- For logic high,  $V_{OUT} = V_{OH\_MAX} = V_{CC\_MAX} - 0.9V$

$$(V_{CC\_MAX} - V_{OH\_MAX}) = 0.9V$$

- For logic low,  $V_{OUT} = V_{OL\_MAX} = V_{CC\_MAX} - 1.7V$

$$(V_{CC\_MAX} - V_{OL\_MAX}) = 1.7V$$

Pd\_H is power dissipation when the output drives high.

Pd\_L is the power dissipation when the output drives low.

$$Pd_H = [(V_{OH\_MAX} - (V_{CC\_MAX} - 2V))/R_L] * (V_{CC\_MAX} - V_{OH\_MAX}) = [(2V - (V_{CC\_MAX} - V_{OH\_MAX}))/R_L] * (V_{CC\_MAX} - V_{OH\_MAX}) = [(2V - 0.9V)/50\Omega] * 0.9V = \mathbf{19.8mW}$$

$$Pd_L = [(V_{OL\_MAX} - (V_{CC\_MAX} - 2V))/R_L] * (V_{CC\_MAX} - V_{OL\_MAX}) = [(2V - (V_{CC\_MAX} - V_{OL\_MAX}))/R_L] * (V_{CC\_MAX} - V_{OL\_MAX}) = [(2V - 1.7V)/50\Omega] * 1.7V = \mathbf{10.2mW}$$

Total Power Dissipation per output pair = Pd\_H + Pd\_L = **30mW**





## RELIABILITY INFORMATION

TABLE 9.  $\theta_{JA}$  VS. AIR FLOW TABLE FOR 20 LEAD TSSOP

$\theta_{JA}$ by Velocity (Linear Feet per Minute)			
	0	200	500
Single-Layer PCB, JEDEC Standard Test Boards	114.5°C/W	98.0°C/W	88.0°C/W
Multi-Layer PCB, JEDEC Standard Test Boards	73.2°C/W	66.6°C/W	63.5°C/W

**NOTE:** Most modern PCB designs use multi-layered boards. The data in the second row pertains to most designs.

### TRANSISTOR COUNT

The transistor count for ICS85357-11 is: 413

PACKAGE OUTLINE - G SUFFIX FOR 20 LEAD TSSOP

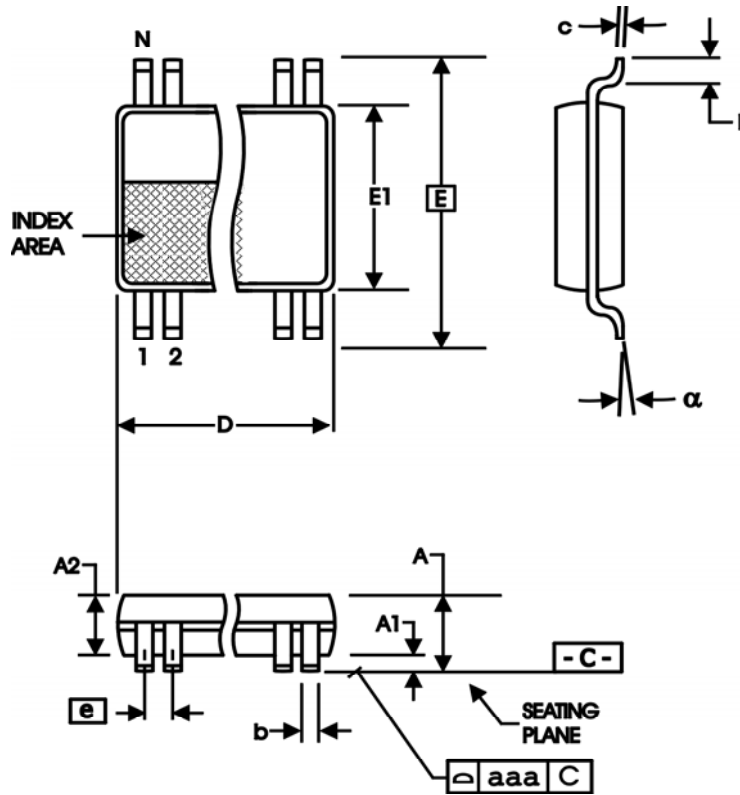


TABLE 10. PACKAGE DIMENSIONS

SYMBOL	Millimeters	
	Minimum	Maximum
N	20	
A	--	1.20
A1	0.05	0.15
A2	0.80	1.05
b	0.19	0.30
c	0.09	0.20
D	6.40	6.60
E	6.40 BASIC	
E1	4.30	4.50
e	0.65 BASIC	
L	0.45	0.75
alpha	0°	8°
aaa	--	0.10

Reference Document: JEDEC Publication 95, MO-153



# ICS85357-11

## 4:1 OR 2:1, CRYSTAL OSCILLATOR-TO-3.3V LVPECL / ECL MULTIPLEXER

TABLE 11. ORDERING INFORMATION

Part/Order Number	Marking	Package	Shipping Packaging	Temperature
85357AG-11	85357AG11	20 lead TSSOP	tube	0°C to 70°C
85357AG-11T	85357AG11	20 lead TSSOP	2500 tape & reel	0°C to 70°C
85357AG-11LF	85357A11L	Lead-Free, 20 lead TSSOP	tube	0°C to 70°C
85357AG-11LFT	85357A11L	Lead-Free, 20 lead TSSOP	2500 tape & reel	0°C to 70°C

NOTE: Parts that are ordered with an "LF" suffix to the part number are the Pb-Free configuration and are RoHS compliant.

While the information presented herein has been checked for both accuracy and reliability, Integrated Device Technology, Inc. (IDT) assumes no responsibility for either its use or for infringement of any patents or other rights of third parties, which would result from its use. No other circuits, patents, or licenses are implied. This product is intended for use in normal commercial and industrial applications. Any other applications such as those requiring high reliability, or other extraordinary environmental requirements are not recommended without additional processing by IDT. IDT reserves the right to change any circuitry or specifications without notice. IDT does not authorize or warrant any IDT product for use in life support devices or critical medical instruments.



**ICS85357-11**  
**4:1 OR 2:1, CRYSTAL OSCILLATOR-TO-3.3V**  
**LVPECL / ECL MULTIPLEXER**

<b>REVISION HISTORY SHEET</b>					
<b>Rev</b>	<b>Table</b>	<b>Page</b>	<b>Description of Change</b>	<b>Date</b>	
A		8	Added Termination for LVPECL Outputs section.	5/30/02	
A		5	3.3V Output Load Test Circuit Diagram, corrected $V_{EE} = -1.3V \pm 0.135V$ to read $V_{EE} = -1.3V \pm 0.165V$ .	8/26/02	
		6	Revised Output Rise/Fall Time Diagram.		
B	T4B	3	LVC MOS table - changed $V_{IH}$ from 3.765 Max. to $V_{CC} + 0.3$ Max.	1/16/03	
	T4C	3	LVPECL table - changed $V_{SWING}$ from 0.85V Max. to 1.0V Max.		
	T6	4	AC table - deleted $t_{PD}$ , $t_{sk(pp)}$ and Notes 1 and 2. Updated format.		
C		1	Changed maximum crystal frequency from 25MHz to 27MHz. Changed Output Frequency bullet from 25MHz to 27MHz.	10/7/04	
		T2	2		Pin Characteristics Table - changed $C_{IN}$ from 4pF max. to 4pF typical.
		T5	3		Crystal Characteristics Table - changed maximum Frequency from 25MHz to 27MHz.
		T6	3		AC Characteristics Table - changed maximum Output Frequency Range from 25MHz to 27MHz.
D	T2 T4C	1	Features Section - added lead-free bullet.	4/12/07	
		2	Pin Characteristics Table - deleted RPullup row.		
		3	LVPECL 3.3V DC Characteristics Table -corrected $V_{OH}$ max. from $V_{CC} - 1.0V$ to $V_{CC} - 0.9V$ .		
	7 - 8	Power Considerations - corrected power dissipation to reflect $V_{OH}$ max in Table 4C.			
	T11	11	Ordering Information Table - added lead-free part number, and note.		
D	T11	11	Updated datasheet's header/footer with IDT from ICS. Ordering Information Table - removed ICS prefix from Part/Order Number column. Added LF marking.	10/4/10	
		13	Added Contact Page.		



**ICS85357-11**  
4:1 OR 2:1, CRYSTAL OSCILLATOR-TO-3.3V  
LVPECL / ECL MULTIPLEXER

---

**We've Got Your Timing Solution.**



6024 Silver Creek Valley Road  
San Jose, CA 95138

**Sales**  
800-345-7015 (inside USA)  
+408-284-8200 (outside USA)  
Fax: 408-284-2775

**Tech Support**  
netcom@idt.com

© 2010 Integrated Device Technology, Inc. All rights reserved. Product specifications subject to change without notice. IDT, the IDT logo, ICS and HiPerClockS are trademarks of Integrated Device Technology, Inc. Accelerated Thinking is a service mark of Integrated Device Technology, Inc. All other brands, product names and marks are or may be trademarks or registered trademarks used to identify products or services of their respective owners.  
Printed in USA