



Micro Commercial Components
 20736 Marilla Street Chatsworth
 CA 91311
 Phone: (818) 701-4933
 Fax: (818) 701-4939

**S/R4320
 thru
 S/R43120**

Features

- Glass Passivated Die
- High Voltages Rating up to 1200 Volts
- High Surge Current Capabilities
- Standard Polarity: Stud is Cathode
 Reverse Polarity: Stud is Anode

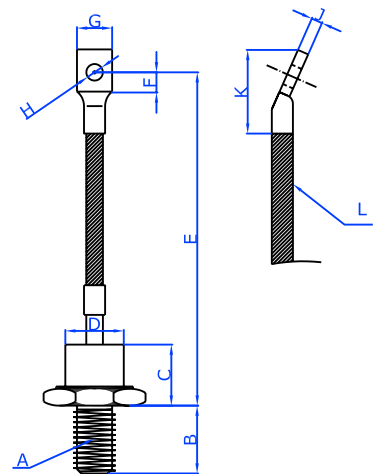
Maximum Ratings

- Operating Temperature: -40°C to +180°C
- Storage Temperature: -40°C to +180°C
- Maximum Thermal Resistance: 0.35°C/W Junction To Case

MCC Part Number	Maximum Recurrent Peak Reverse Voltage	Maximum RMS Voltage	Maximum DC Blocking Voltage
S/R4320	200V	140V	200V
S/R4330	300V	210V	300V
S/R4340	400V	280V	400V
S/R4350	500V	350V	500V
S/R4360	600V	420V	600V
S/R4380	800V	560V	800V
S/R43100	1000V	700V	1000V
S/R43120	1200V	840V	1200V

**150 Amp Rectifier
 200 - 1200 Volts**

DO-8



Electrical Characteristics @ 25°C Unless Otherwise Specified

Average Forward Current	$I_{F(AV)}$	150A	$T_C = 148^\circ\text{C}$ half sine
Peak Forward Surge Current	I_{FSM}	2500A	8.3ms, half sine $T_J = 180^\circ\text{C}$
Maximum Instantaneous Forward Voltage	V_F	1.10V	$I_{FM} = 200A;$ $T_J = 25^\circ\text{C}$
Maximum DC Reverse Current At Rated DC Blocking Voltage	I_R	50μA 5.0mA	$T_J = 25^\circ\text{C}$ $T_J = 150^\circ\text{C}$
Maximum I^2t for Fusing	I^2t	26KA ² s	

*Pulse test: Pulse width 300 μsec, Duty cycle 2%

DIMENSIONS					NOTE
DIM	INCHES		MM		
	MIN	MAX	MIN	MAX	
A	3/8"-24UNF-2A		3/8"-24UNF-2A		
B	.610	.640	15.50	16.25	
C	.660	.740	16.76	18.80	
D	.835	.843	21.20	21.47	
E	4.375	4.625	111.13	117.47	
F	.297	.327	7.55	8.30	
G	.500	.600	12.70	15.24	
H	.271	.291	6.89	7.39	
J	--	.100	--	2.60	
K	--	1.380	--	35.05	
L	--		16		MM ²