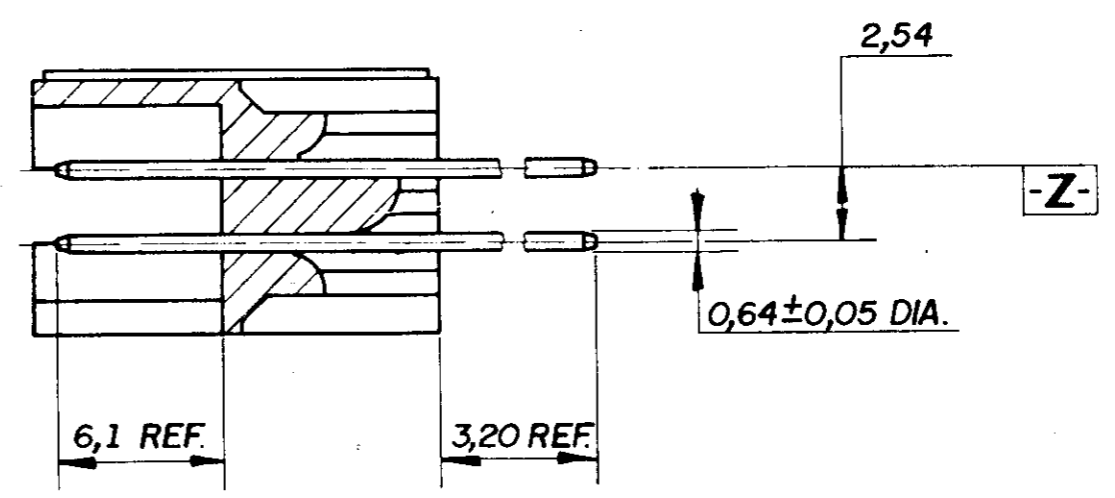
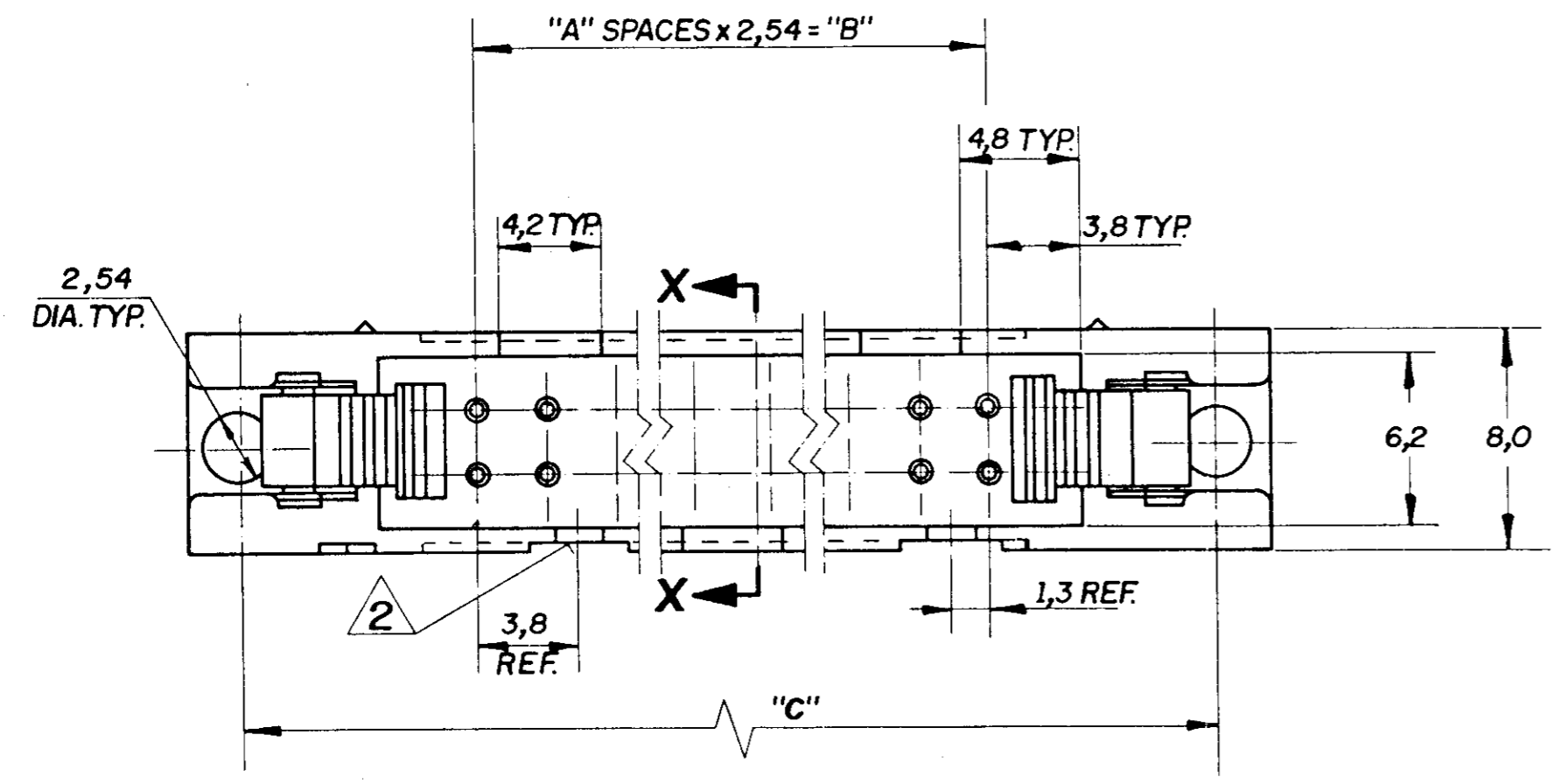
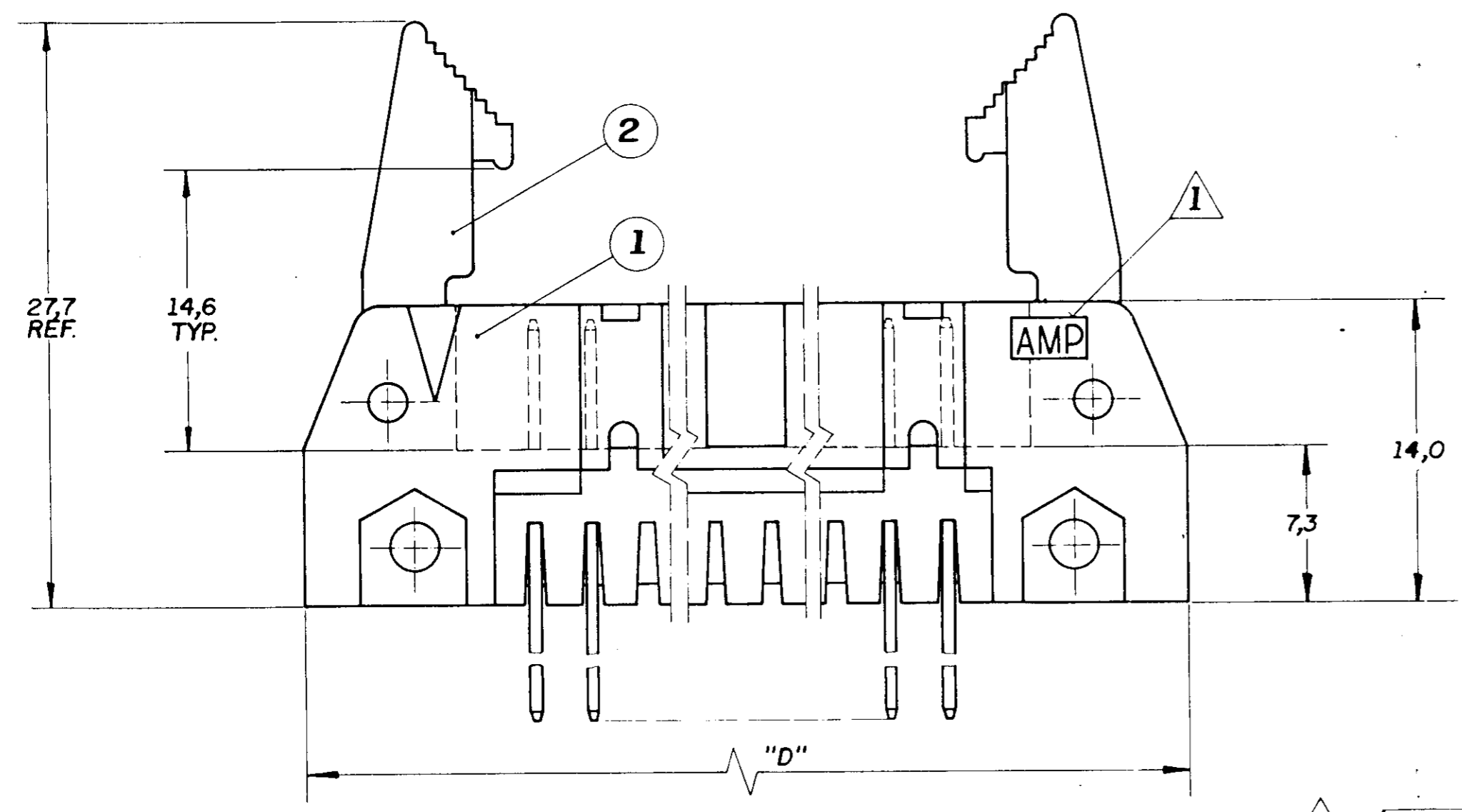


SHEET 1 of 1
DWG No 880040/041

DO NOT SCALE		METRIC	3rd ANGLE PROJECTION	
DIMENSIONS IN mm.				
ITEM No	PART NUMBER	DESCRIPTION	QTY. PER UNIT	NOTES



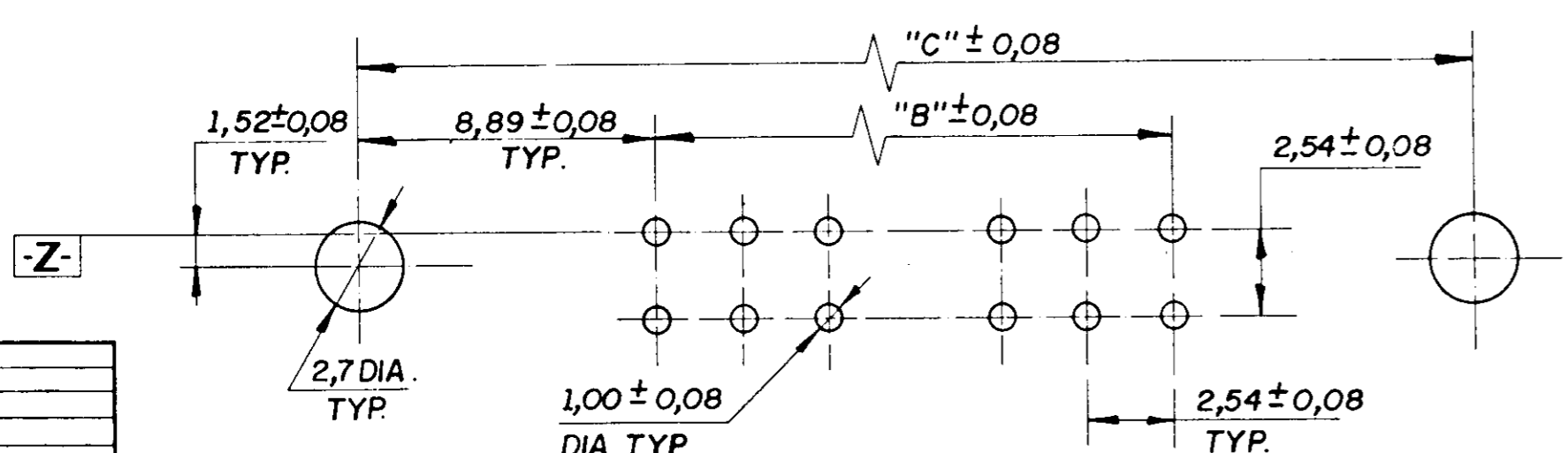
SECTION X-X



NOTES:
NOTAS

- 1 - AMP TRADEMARK ON INDICATED AREA. MARCA REGISTRADA AMP NA AREA INDICADA.
- 2 - THERE ISN'T THIS RECEPTACLE FOR POLARIZATOR FIXING FOR 10 AND 14 POSITIONS. NÃO EXISTE ESTE ALOJAMENTO P/ FIXAÇÃO DO POLARIZADOR P/ 10 E 14 POSIÇÕES.
- 3 - MATERIAL: HEADER/LATCH-THERMOPLASTIC W/ GLASS FIBER UL 94 V-0 COLOR, BLACK. MATERIAL: HEADER/LATCH-TERMOPLÁSTICO C/ FIBRA DE VIDRO UL 94 V-0 COR, PRETA.
- 4 - FINISH: 0,38 μm Au MIN. FOR 880040 AND 0,76 μm Au MIN. FOR 880041 BOTH ON CONTACT AREA W/ 2,54 μm SnPb MIN. ON POST AREA BOTH OVER TOTAL PLATING 1,27 μm Ni MIN. ACABAMENTO: 0,38 μm DE Au MIN. P/ 880040 E 0,76 μm DE Au MIN. P/ 880041 AMBOS NA AREA DE CONTATO C/ 2,54 μm SnPb MIN. NA AREA DO POSTE AMBOS SOBRE BANHO TOTAL DE 1,27 μm DE Ni MIN.

5 -	PART NUMBER	HEADER ASS'Y
	880040	880027
	880041	880028



P.C. BOARD MOUNTING AND HOLE PATTERN
FURAÇÃO RECOMENDADA P/ PLACA C.I.

10	1-	-0	32,0	27,94	10,16	4	1-	-0	1-	-0
30	3-	-0	57,4	53,34	35,56	14	3-	-0	3-	-0
60	6-	-0	95,5	91,44	73,66	29	6-	-0	6-	-0
50	5-	-0	82,8	78,74	60,96	24	5-	-0	5-	-0
40	4-	-0	70,1	66,04	48,26	19	4-	-0	4-	-0
34	3-	-4	62,5	58,42	40,64	16	3-	-4	3-	-4
26	2-	-6	52,3	48,26	30,48	12	2-	-6	2-	-6
20	2-	-0	44,7	40,64	22,86	09	2-	-0	2-	-0
16	1-	-6	39,6	35,56	17,78	07	1-	-6	1-	-6
14	102320-1	1-	-4	37,1	33,02	15,24	06	1-880040-4	1-880041-4	
No.	LATCH	HDR ASS'Y						ASS'Y	ASS'Y	
POS.	2	1	5	D	C	B	A	4	4	
	COMPONENTS			DIMENSIONAL			PART NUMBER			

CUSTOMER DWG for REFERENCE ONLY		UNLESS OTHERWISE SPECIFIED		REMOVE BURRS, BREAK SHARP EDGES 0,40 RAD. MAX.	
		1 DEC. PLACE ± 0,5		2 DEC. PLACE ± 0,2 ANGLE ± 0°-30'	
		TOTAL SURFACE AREA		INS. DIA RANGE	
		SQ. MM.		WIRE RANGE	
		DIE / MOULD / STRIP NO.		SCALE	
		FIRST USED		AMP do BRASIL LTDA. São Paulo, Brasil	
J. REVISED BY EC (2.038) / 94		DR. EJALLO		DESCRIPTION UNIVERSAL PIN HEADER ASS'Y W/ LONG LATCH, STRAIGHT (0,38/0,76 Au)	
H. REVISADO P/ EC		17-DEC-91		LOC.	
I. REVISADO P/ ECN		10-SEP-92		DWG. NO.	
G. REVISADO P/ REVISION				SHEET	
LT.	REVISION RECORD	ECN	DR	DATE	APP.
		AP A 2		880040/041	
				1 of 1	

This information is confidential and is disclosed to you on condition that no further disclosure is made by you to other than AMP personnel without written authorization from AMP DO BRASIL - S.P.

PRINT DIST.	
USED ON	