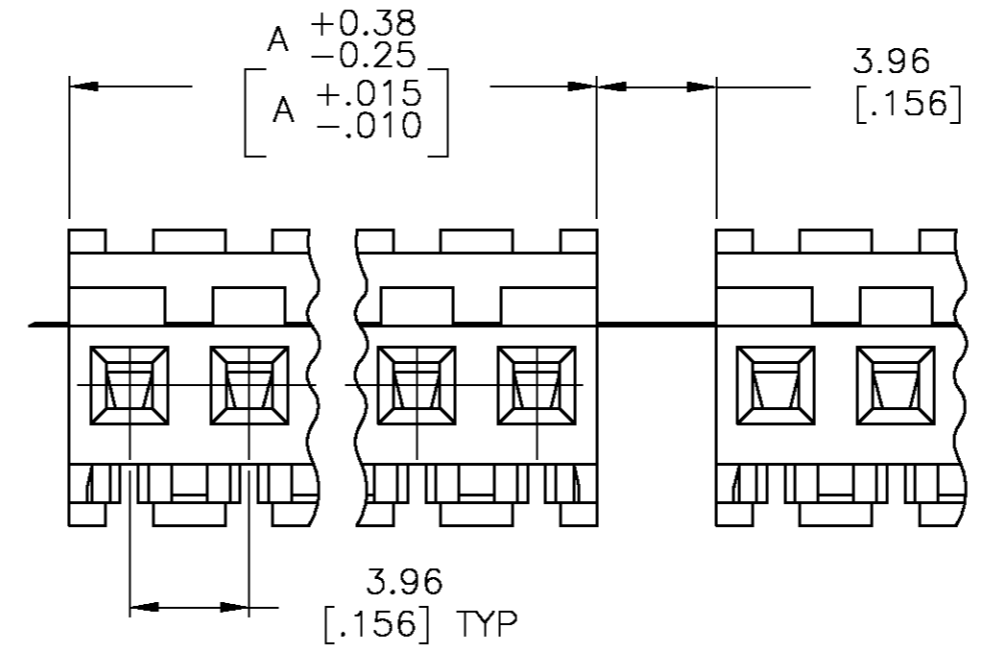
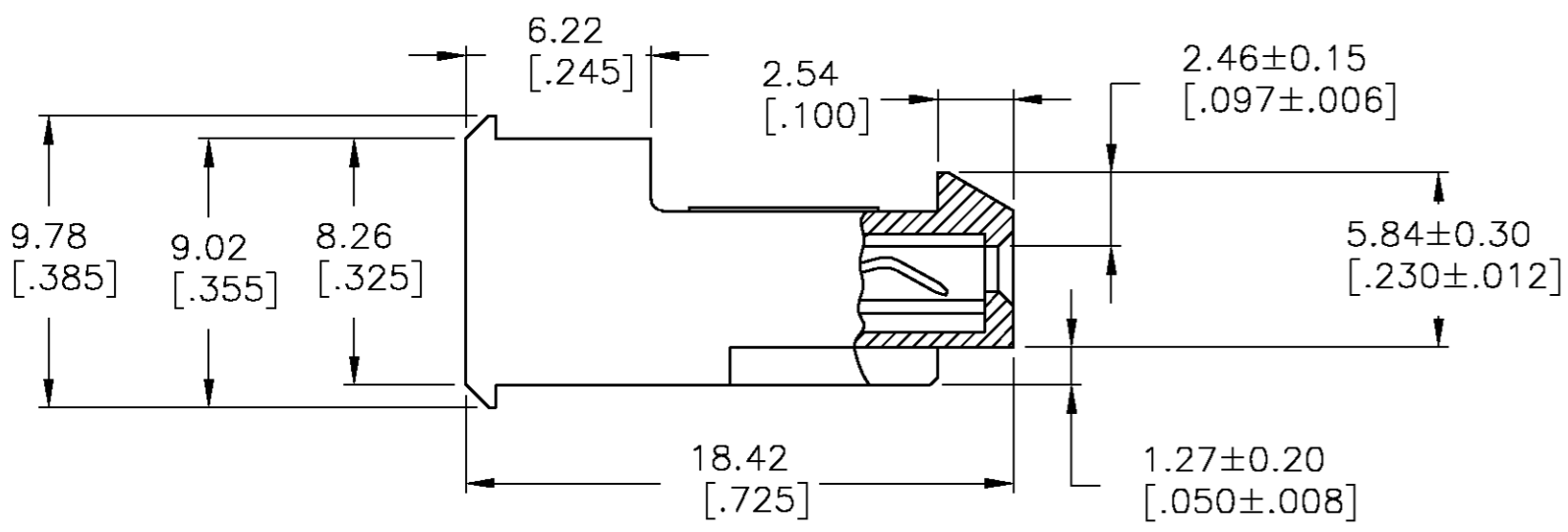
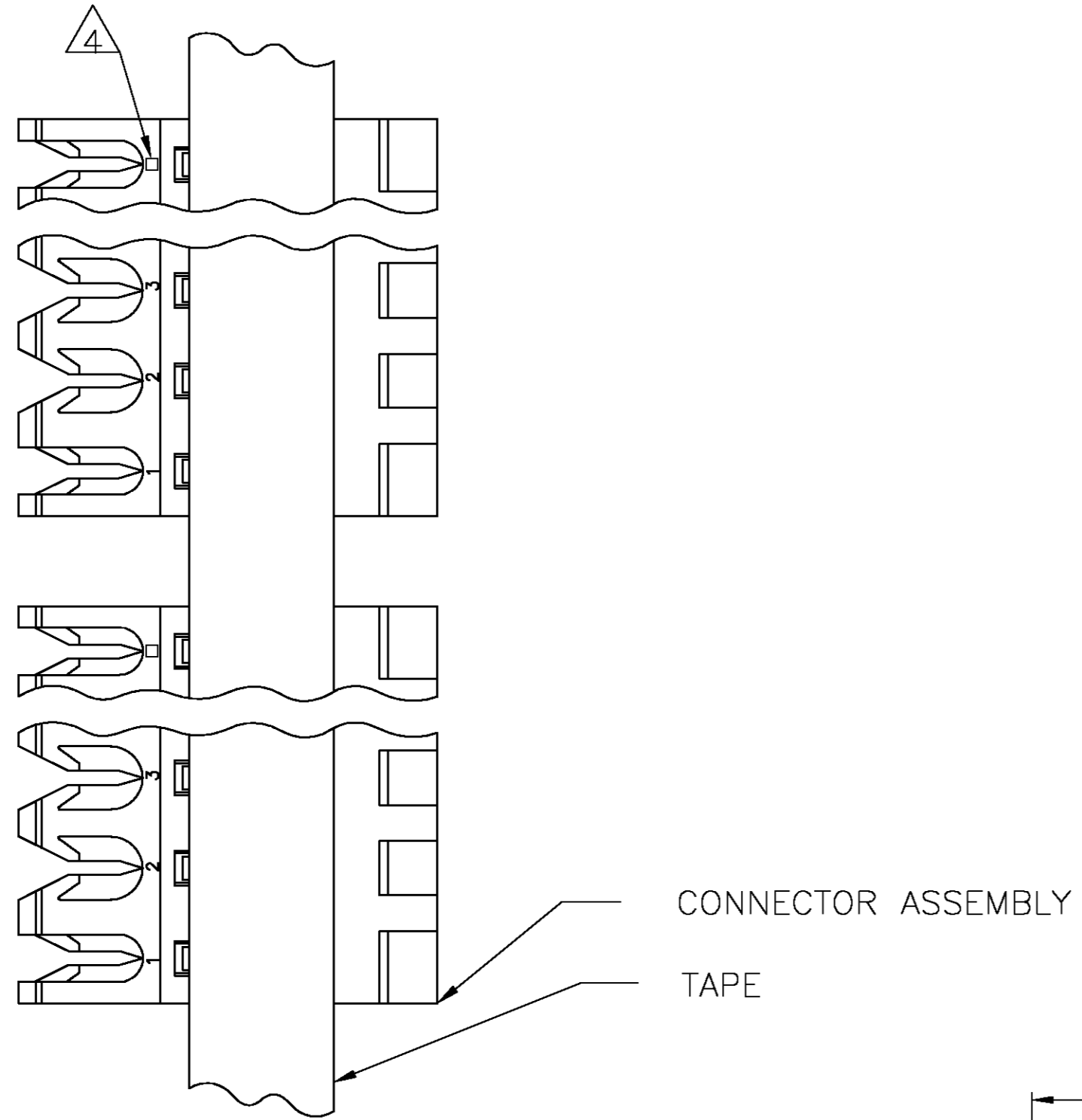


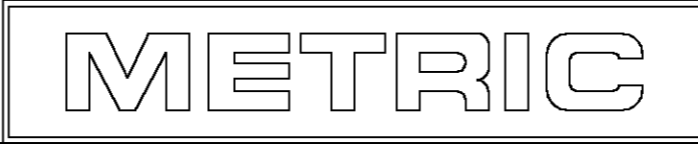
THIS DRAWING IS UNPUBLISHED. RELEASED FOR PUBLICATION
 © COPYRIGHT BY TYCO ELECTRONICS CORPORATION. ALL RIGHTS RESERVED.

LOC	DIST	REVISIONS					
CM	00	P	LTR	DESCRIPTION	DATE	DWN	APVD
		F		EC 0G3B 1043 04	15JUN05	BSV	DB



95.10	3.744	24	5-641304-4
91.14	3.588	23	5-641304-3
87.17	3.432	22	5-641304-2
83.21	3.276	21	5-641304-1
79.25	3.120	20	5-641304-0
75.29	2.964	19	4-641304-9
71.32	2.808	18	4-641304-8
67.36	2.652	17	4-641304-7
63.40	2.496	16	4-641304-6
59.44	2.340	15	4-641304-5
55.47	2.184	14	4-641304-4
51.51	2.028	13	4-641304-3
47.55	1.872	12	4-641304-2
43.59	1.716	11	4-641304-1
39.62	1.560	10	4-641304-0
35.66	1.404	9	3-641304-9
31.70	1.248	8	3-641304-8
27.74	1.092	7	3-641304-7
23.77	.936	6	3-641304-6
19.81	.780	5	3-641304-5
15.85	.624	4	3-641304-4
11.89	.468	3	3-641304-3
7.92	.312	2	3-641304-2
95.10	3.744	24	2-641304-4
91.14	3.588	23	2-641304-3
87.17	3.432	22	2-641304-2
83.21	3.276	21	2-641304-1
79.25	3.120	20	2-641304-0
75.29	2.964	19	1-641304-9
71.32	2.808	18	1-641304-8
67.36	2.652	17	1-641304-7
63.40	2.496	16	1-641304-6
59.44	2.340	15	1-641304-5
55.47	2.184	14	1-641304-4
51.51	2.028	13	1-641304-3
47.55	1.872	12	1-641304-2
43.59	1.716	11	1-641304-1
39.62	1.560	10	1-641304-0
35.66	1.404	9	641304-9
31.70	1.248	8	641304-8
27.74	1.092	7	641304-7
23.77	.936	6	641304-6
19.81	.780	5	641304-5
15.85	.624	4	641304-4
11.89	.468	3	641304-3
7.92	.312	2	641304-2
DIM A		NO OF CIRCUITS	PART NO

- 1 MATERIAL: CONNECTOR - NYLON UL94V-2 (RED)
 CONTACTS - 0.30(.012) THICK COPPER ALLOY
 BRIGHT TIN-LEAD 0.00203(.000080) MIN THICK
 FOR CONTACTS 641304-2 THRU 2-641304-4
 BRIGHT TIN PLATE 0.00203(.000080) MIN THICK
 FOR CONTACTS 3-641304-2 THRU 5-641304-4.
- 2. CONTACTS ACCEPT 22 AWG WIRE WITH 2.41[.095] MAX INSULATION DIAMETER.
- 3. CONTACTS MUST ACCEPT 1.14±0.03 [.045±.001] SQUARE POST AND REMAIN LOCKED IN POSITION.
- 4 IDENTIFICATION NUMBER FOR LAST CIRCUIT MAY NOT APPEAR ON ALL ASSEMBLIES.
- 5. DIMENSIONS IN BRACKETS ARE IN INCHES.
- 6. HOUSING FEATURES ARE: FEED-THRU WITH LOCKING RAMP.



THIS DRAWING IS A CONTROLLED DOCUMENT.		DWN B. LEWIS 02 MAY 96	Tyco Electronics Corporation Harrisburg, Pa 17105-3608
DIMENSIONS: mm [INCHES]		CHK R. SWING 02 MAY 96	
TOLERANCES UNLESS OTHERWISE SPECIFIED:		APVD D. CLARK 02 MAY 96	NAME MTA-156 CONNECTOR ASSEMBLY, 22 AWG, STANDARD TAPE MOUNTED
0 PLC ± -		PRODUCT SPEC 108-1051	
1 PLC ± -		APPLICATION SPEC 114-1020	SIZE A2
2 PLC ± -		WEIGHT -	CAGE CODE 00779
3 PLC ± 0.13 [.005]		CUSTOMER DRAWING	DRAWING NO C=641304
4 PLC ± -		SCALE 1:1	SHEET 1 OF 1
ANGLES ± -		RESTRICTED TO -	REV F
FINISH 1			