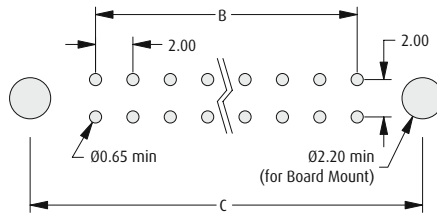
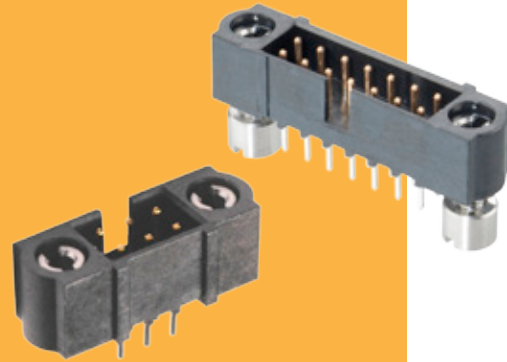


## Male Vertical PC Tail 101Lok

- ❖ Mates with female connectors shown on pages 39, 42, 47 and 50.
- ❖ Polarised mouldings.
- ❖ Fully shrouded contacts.
- ❖ Jackscrews are assembled where specified.
- ❖ Choice of PC tail length.
- ❖ Board Mount provides PCB strain relief.

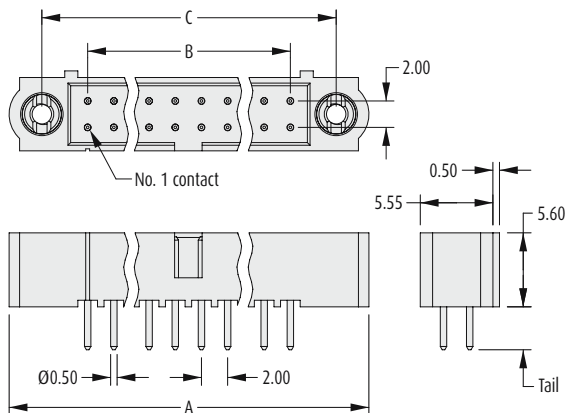


Recommended PC Board Pattern

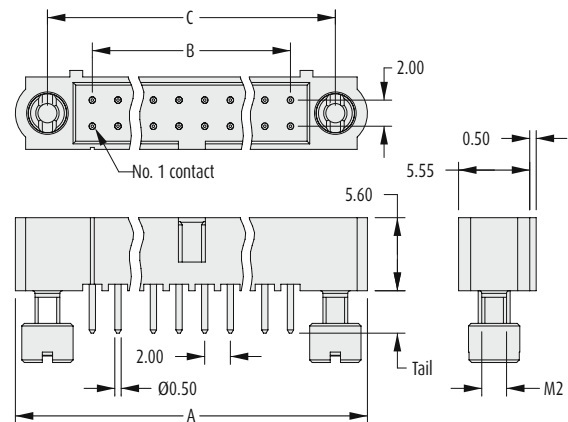
### CALCULATION

<b>A</b>	$B + 12$
<b>B</b>	Total no. of contacts - 2
<b>C</b>	$B + 7$

### 101LOK



### 101LOK WITH BOARD MOUNT



### HOW TO ORDER

**M80 - 5 TX XX XX MX**

#### SERIES CODE

#### TYPE

**T1** 3mm Tails

**T2** 4.5mm Tails

#### TOTAL NO. OF CONTACTS

**04 to 50**

Even numbers only

#### JACKSCREW

<b>MC</b>	101Lok
<b>ME</b>	101Lok with Board Mount

#### FINISH

<b>05</b>	Gold	
<b>22</b>	Gold + Tin/Lead	
<b>42</b>	Gold + Tin	

All dimensions in mm.