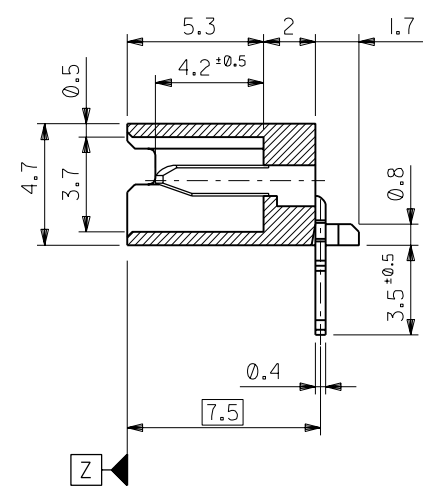
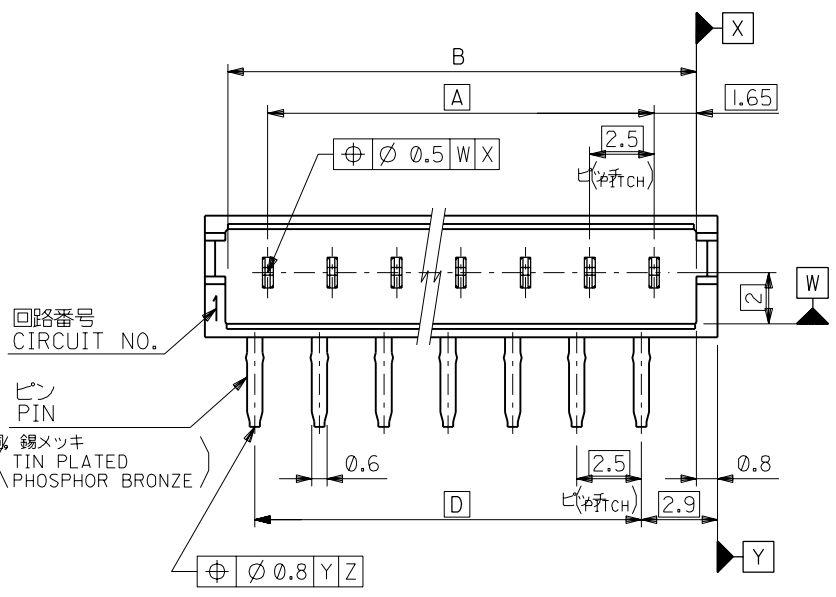


基板取付穴推奨寸法
RECOMMENDED P.C.B. HOLE DIMENSIONS

注記
NOTES

嵌合相手: 5480-N
MATES WITH: 5480-N



35	39.9	38.3	35	39-27-0152	5484-15A	15
32.5	37.4	35.8	32.5	↑ -0142	↑ -14A	14
30	34.9	33.3	30	↑ -0132	↑ -13A	13
27.5	32.4	30.8	27.5	↑ -0122	↑ -12A	12
25	29.9	28.3	25	↑ -0112	↑ -11A	11
22.5	27.4	25.8	22.5	↑ -0102	↑ -10A	10
20	24.9	23.3	20	↑ -0092	↑ -09A	9
17.5	22.4	20.8	17.5	↑ -0082	↑ -08A	8
15	19.9	18.3	15	↑ -0072	↑ -07A	7
12.5	17.4	15.8	12.5	↑ -0062	↑ -06A	6
10	14.9	13.3	10	↑ -0052	↑ -05A	5
7.5	12.4	10.8	7.5	↑ -0042	↑ -04A	4
5	9.9	8.3	5	↓ -0032	↓ -03A	3
2.5	7.4	5.8	2.5	↓ 39-27-0022	↓ 5484-02A	2
D	C	B	A	EDP NO.	ENG. NO.	極数 CKTS.

材料 MATERIAL				図中参照 SEE DRAWING		MATERIAL		MATERIAL	
仕上げ FINISH				— / —		REVISE ONLY ON CAD SYSTEM		TITLE 名称	
適用電線範囲 WIRE RANGE				— / —		2.5 LOW PROFILE WAFER ASS'Y		RIGHT ANGLE WITHOUT KINK	
被覆外径 INS. RANGE				— / —		DRAWN BY '88/8/6 H.HIRAMOTO		CHK'D BY '86/3/18 S.KUNISHI	
角度 ANGLE				±3°		DWG. NO.		REV	
30°以上 OVER				±0.3		SD-5484-NA		F	
10°以上 OVER 30°未滿 UNDER				±0.25		記号 LTR		変更内容 REVISION RECORD	
10°未滿 UNDER				±0.2		DR. CHK.		日付 DATE	
一般公差 GENERAL TOLERANCES				F 変更 REVISD (JC60663)		APP'D BY '86/3/18 S.KUNISHI		尺度 SCALE 5 - 1	
				E 再作図 REDRAWN (J80669)					

DIMENSIONS IN METRIC DO NOT SCALE DRAWING

5484-NA