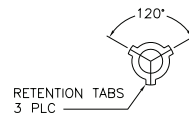
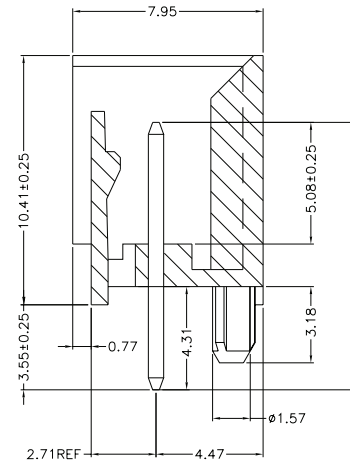
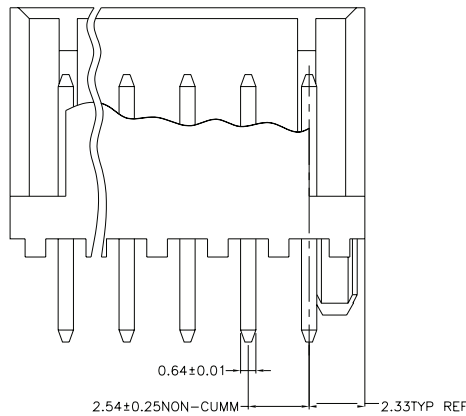


W(mm)	No. of Positions
7.21	2
9.75	3
12.29	4
14.83	5
17.37	6
19.91	7
22.45	8
24.99	9
27.53	10
30.07	11
32.61	12
35.15	13
37.69	14



ELECTRICAL:

CURRENT RATING: 3A AC, DC
 VOLTAGE RATING: 250V AC MAX.
 OPERATING TEMPERATURE: -40 ° TO +85 °C
 CONTACT RESISTANCE: 20 MILLIOHM MAX.
 INSULATION RESISTANCE: 1000 MEGAOHM MIN.
 VOLTAGE WITHSTANDING: 600V AC / MINUTE

MATERIAL:

CONTACT MATERIAL: COPPER ALLOY,
 TIN OR GOLD PLATING OVER NICKEL
 PLASTIC HOUSING: HIGH TEMP. THERMOPLASTIC
 FLAMMABILITY RATING UL 94V-0.

HOW TO ORDER:

W 0 1 9 - X X 0 1 - 2 X 1 - Z

OF CONTACTS:
 02 THRU 12

PIN REMOVAL OPTION:
 0 - FULLY LOADED

DEFINITION:
 1-STRAIGHT

OPTION:
 1 - PBT
 2 - HIGH TEMP PLASTIC

RoHS COMPLIANT

CONTACT PLATING
 1-TIN PLATED
 2-GOLDFLASH
 3-10u" GOLD
 5-30u" GOLD

Rev	Drawn	Checked	Approved	Date
0	WHS	S.M.	S.M.	10/6/06

SMP TECHNOLOGY, INC.

HEADER; 2.54mm PITCH; 4 SIDES SHROUDED; MTA TYPE

SCALE: N/A

TOL. DEC. .X +/- 0.35 .XX +/- 0.25 .XXX +/- ANGLE +/- UNIT: mm

SERIES: W 0 1 9 - X X 0 1 - 2 X 1 - Z