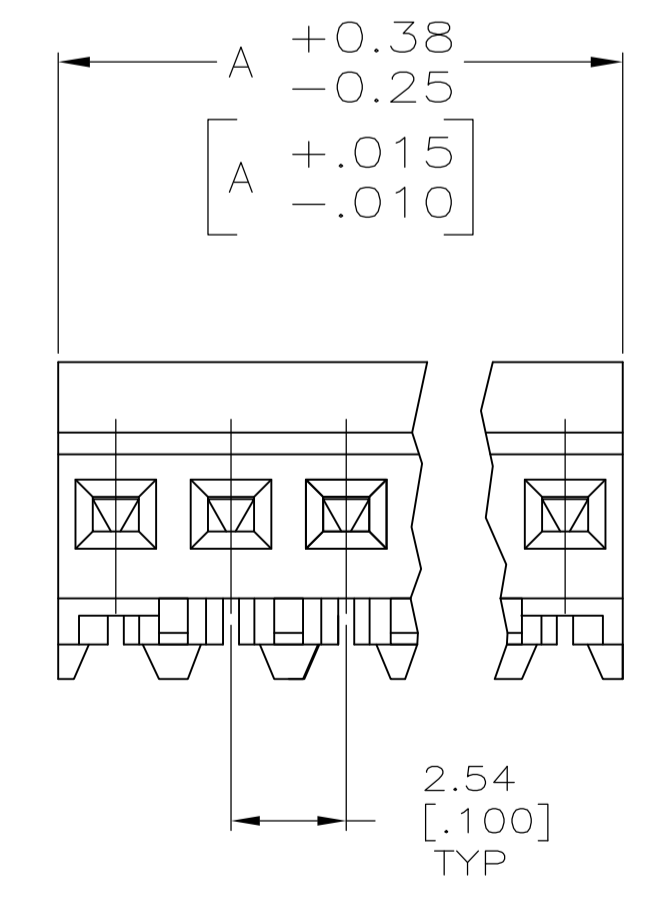
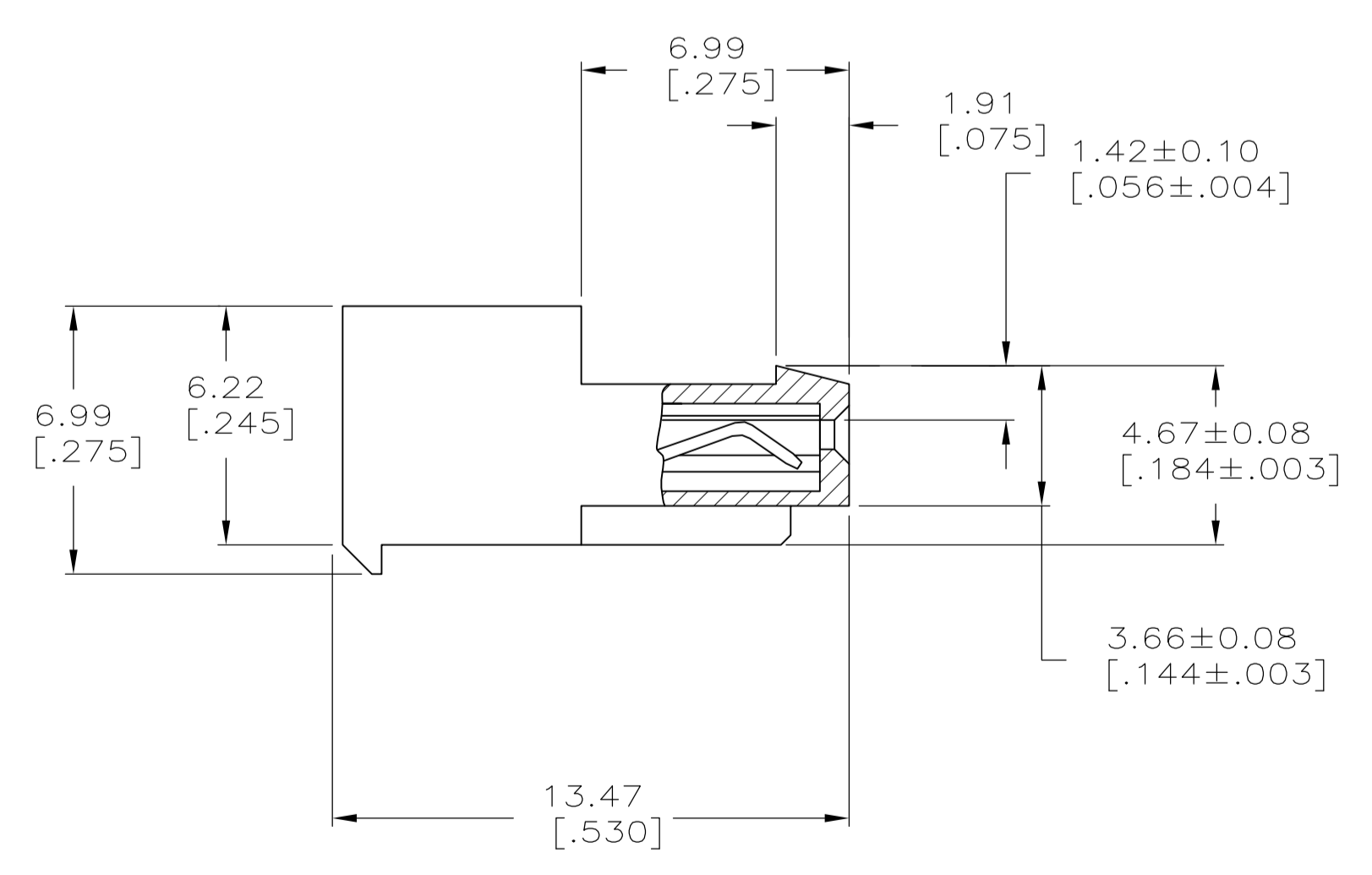
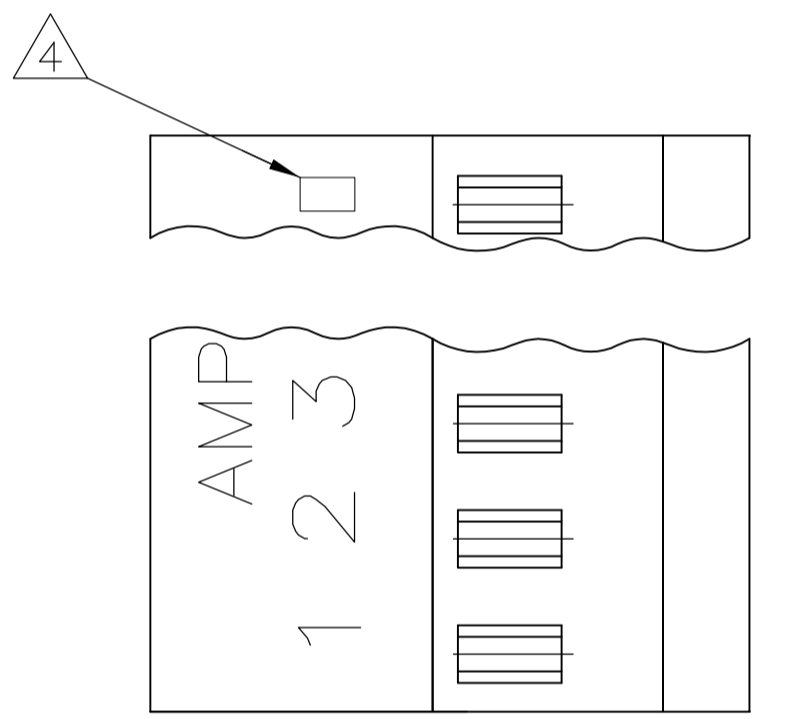


- 1 MATERIAL: CONNECTOR-NYLON UL94V-2 (WHITE).
 CONTACTS-0.30 [.012] THICK COPPER ALLOY
 BRIGHT TIN-LEAD 0.00203 [.000080] MINIMUM THICK FOR CONTACTS
 641535-2 THRU 641535-6,
 MATTE WHISKER MITIGATED TIN PLATE 0.00203 [.000080] MINIMUM THICK OVER
 NICKEL UNDERPLATE FOR CONTACTS 3-641535-2 THRU 3-641535-6.
- 2. CONTACTS ACCEPT 24 AWG WIRE WITH 1.52 [.060] MAXIMUM INSULATION DIAMETER.
- 3. CONTACTS MUST ACCEPT 0.36-0.51 [.014-.020] SQUARE OR ROUND POST AND
 REMAINED LOCKED IN POSITION.
- 4 IDENTIFICATION NUMBER FOR LAST CIRCUIT MAY NOT APPEAR ON ALL ASSEMBLIES.
- 5. DIMENSIONS IN BRACKETS ARE IN INCHES.
- 6. HOUSING FEATURES ARE: CLOSED END WITH LOCKING RAMP & LED CONTACT.
- 7 OBSOLETE PARTS: OBSOLETE CIS STREAMLINING PER D.RENAUD/D.SINISI
- 8 OBSOLETE PARTS



LEAD FREE	15.24 [.600]	6	3-641535-6
	12.70 [.500]	5	3-641535-5
	7.62 [.300]	3	3-641535-3
	5.08 [.200]	2	3-641535-2
	DIM A	NO.OF POSN	ASSEMBLY

CONTAINS LEAD	15.24 [.600]	6	3-641535-6
	12.70 [.500]	5	3-641535-5
	7.62 [.300]	3	3-641535-3
	5.08 [.200]	2	3-641535-2
	DIM A	NO.OF POSN	ASSEMBLY

8 SUPERSEDED
 7 SUPERSEDED
 7 SUPERSEDED
 OBSOLETE

THIS DRAWING IS A CONTROLLED DOCUMENT.

DIMENSIONS: mm [INCHES]	TOLERANCES UNLESS OTHERWISE SPECIFIED:	DIN S. HOOVER 10-DEC-2004	APVO D. ROSSI 10-DEC-2004	NAME
0 PLC ±	1 PLC ±	2 PLC ±	3 PLC ±	4 PLC ±
ANGLES ±				
MATERIAL 1	FINISH 1	SIZE A1	CAGE CODE 00779	DRAWING NO. 641535
CUSTOMER DRAWING		SCALE 5:1	SHEET 1 OF 1	REV N4

MTA-100 CONNECTOR ASSEMBLY, 24 AWG, FOR .014 TO .020 POST, SPECIAL