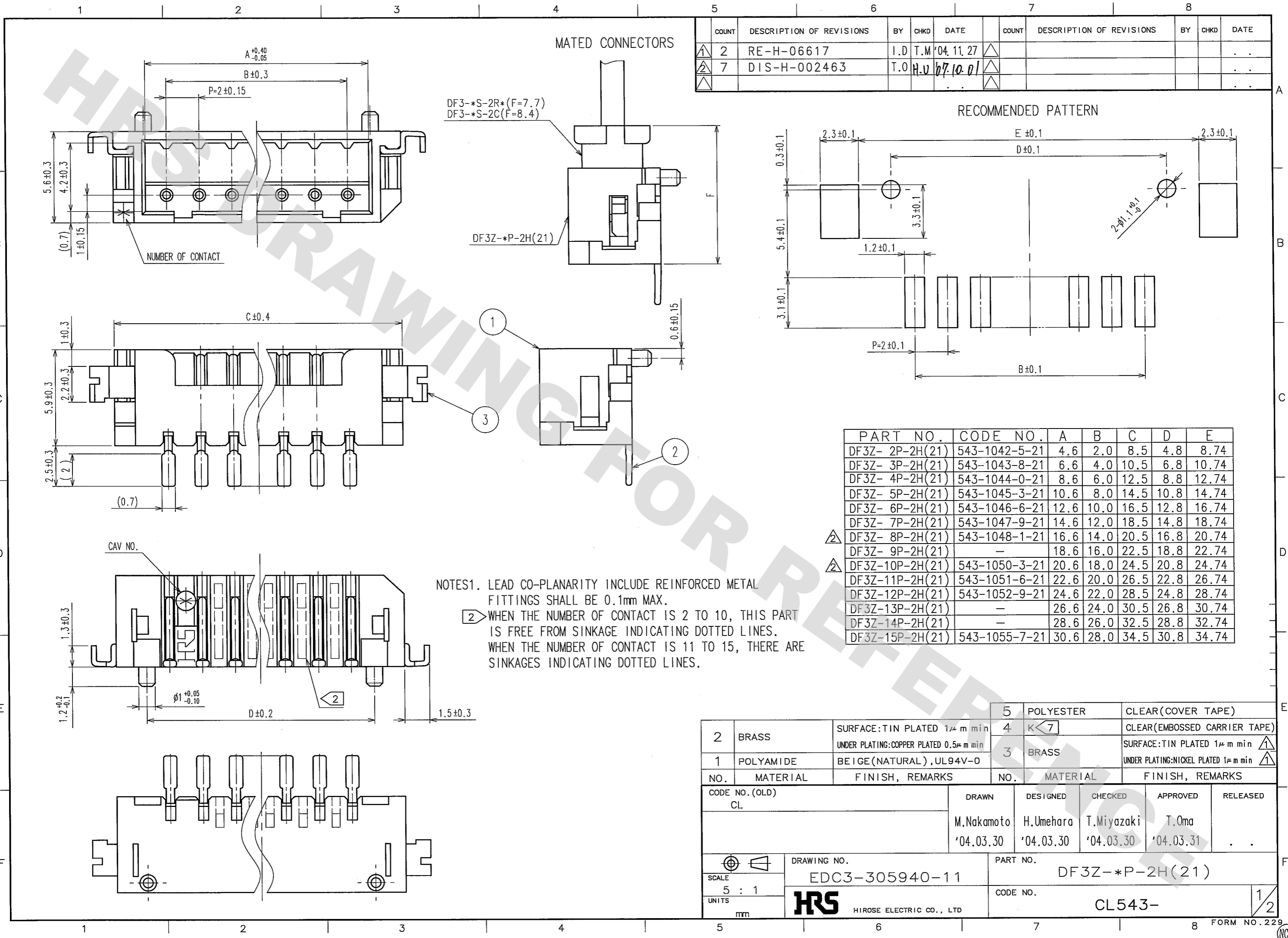


DRAWING FOR REFERENCE: This is subject to change without notice  
08/11/2012



COUNT	DESCRIPTION OF REVISIONS	BY	CHKD	DATE	COUNT	DESCRIPTION OF REVISIONS	BY	CHKD	DATE
2	RE-H-06617	I.D	T.M	'04.11.27					
7	DIS-H-002463	T.O	H.V	07.10.01					

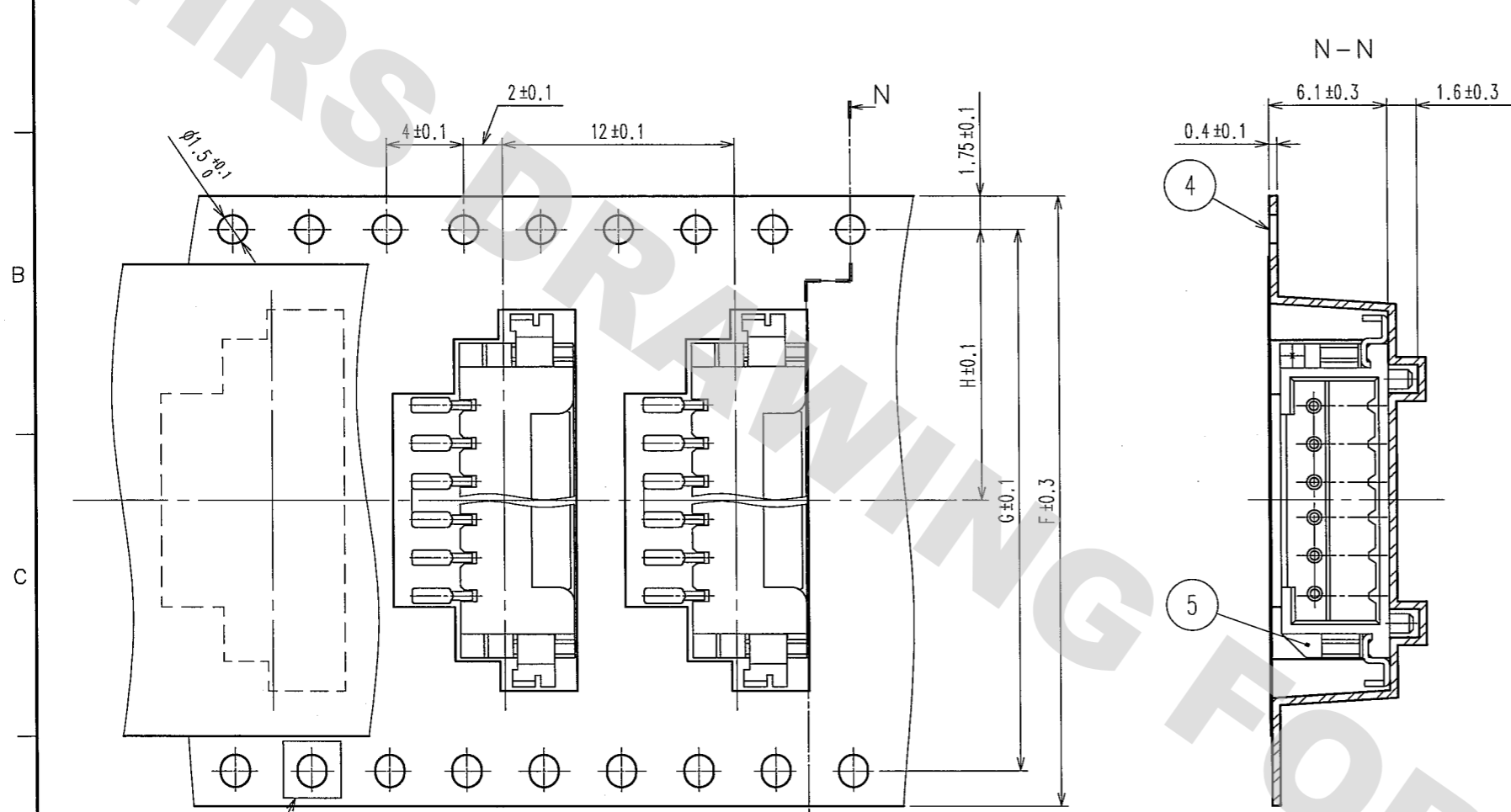
PART NO.	CODE NO.	A	B	C	D	E
DF3Z- 2P-2H(21)	543-1042-5-21	4.6	2.0	8.5	4.8	8.74
DF3Z- 3P-2H(21)	543-1043-8-21	6.6	4.0	10.5	6.8	10.74
DF3Z- 4P-2H(21)	543-1044-0-21	8.6	6.0	12.5	8.8	12.74
DF3Z- 5P-2H(21)	543-1045-3-21	10.6	8.0	14.5	10.8	14.74
DF3Z- 6P-2H(21)	543-1046-6-21	12.6	10.0	16.5	12.8	16.74
DF3Z- 7P-2H(21)	543-1047-9-21	14.6	12.0	18.5	14.8	18.74
DF3Z- 8P-2H(21)	543-1048-1-21	16.6	14.0	20.5	16.8	20.74
DF3Z- 9P-2H(21)	-	18.6	16.0	22.5	18.8	22.74
DF3Z-10P-2H(21)	543-1050-3-21	20.6	18.0	24.5	20.8	24.74
DF3Z-11P-2H(21)	543-1051-6-21	22.6	20.0	26.5	22.8	26.74
DF3Z-12P-2H(21)	543-1052-9-21	24.6	22.0	28.5	24.8	28.74
DF3Z-13P-2H(21)	-	26.6	24.0	30.5	26.8	30.74
DF3Z-14P-2H(21)	-	28.6	26.0	32.5	28.8	32.74
DF3Z-15P-2H(21)	543-1055-7-21	30.6	28.0	34.5	30.8	34.74

2	BRASS	SURFACE:TIN PLATED 1μ m min UNDER PLATING:COPPER PLATED 0.5μ m min	5	POLYESTER	CLEAR(COVER TAPE)
1	POLYAMIDE	BEIGE(NATURAL), UL94V-0	4	K<7	CLEAR(EMBOSSD CARRIER TAPE)
			3	BRASS	SURFACE:TIN PLATED 1μ m min UNDER PLATING:NICKEL PLATED 1μ m min
NO.	MATERIAL	FINISH, REMARKS	NO.	MATERIAL	FINISH, REMARKS
CODE NO.(OLD) CL		DRAWN M.Nakamoto '04.03.30	DESIGNED H.Umehara '04.03.30	CHECKED T.Miyazaki '04.03.30	APPROVED T.Oma '04.03.31
DRAWING NO. EDC3-305940-11		PART NO. DF3Z-*P-2H(21)		RELEASED	
SCALE 5 : 1		CODE NO. CL543-		1/2	
UNITS mm		HRS HIROSE ELECTRIC CO., LTD		FORM NO.229	

TO

DRAWING FOR REFERENCE: This is subject to change without notice  
08/11/2012

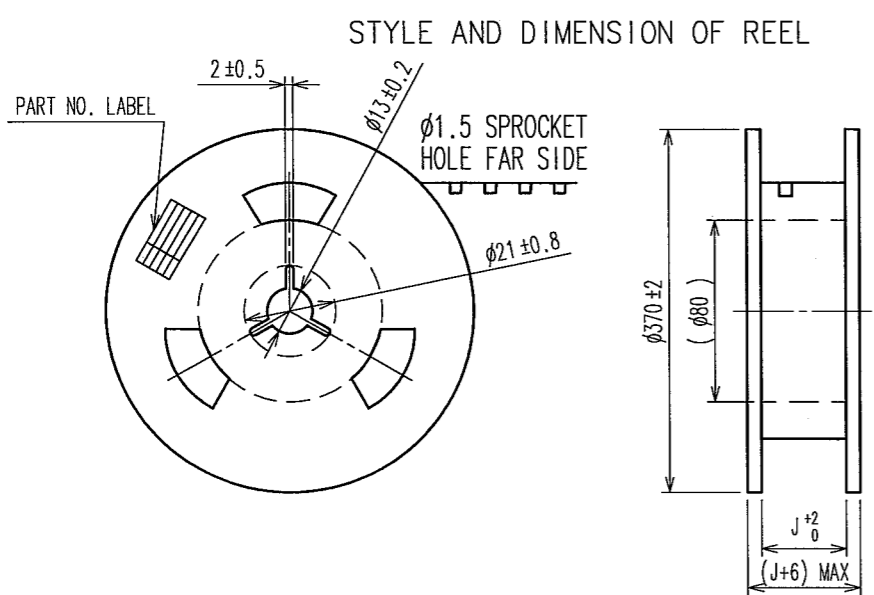
COUNT	DESCRIPTION OF REVISIONS	BY	CHKD	DATE	COUNT	DESCRIPTION OF REVISIONS	BY	CHKD	DATE



PART NO.	CODE NO.	NUMBER OF CONTACT	F	G	H	J	K
DF3Z- 2P-2H(21)	CL543-1042-5-21	2	24.0	/	11.5	24.4	PS
DF3Z- 3P-2H(21)	CL543-1043-8-21	3	24.0	/	11.5	24.4	PS
DF3Z- 4P-2H(21)	CL543-1044-0-21	4	24.0	/	11.5	24.4	PS
DF3Z- 5P-2H(21)	CL543-1045-3-21	5	32.0	28.4	14.2	32.4	PS
DF3Z- 6P-2H(21)	CL543-1046-6-21	6	32.0	28.4	14.2	32.4	PS
DF3Z- 7P-2H(21)	CL543-1047-9-21	7	32.0	28.4	14.2	32.4	PS
DF3Z- 8P-2H(21)	CL543-1048-1-21	8	44.0	40.4	20.2	45.4	PS
DF3Z-10P-2H(21)	CL543-1050-3-21	10	44.0	40.4	20.2	45.4	PS
DF3Z-11P-2H(21)	CL543-1051-6-21	11	56.0	52.4	26.2	56.4	PS
DF3Z-12P-2H(21)	CL543-1052-9-21	12	56.0	52.4	26.2	56.4	PS
DF3Z-15P-2H(21)	CL543-1055-7-21	15	56.0	52.4	26.2	56.4	PS



- NOTES
- 1 REEL 1000 CONNECTORS.
  4. AT THE BEGINNING OF THE REEL, 30 COMPONENTS SHALL BE EMPTY. AT THE END OF THE REEL, 20 COMPONENTS SHALL BE EMPTY.
  - 5 WHEN THE TAPE WIDTH IS 32 OR 44 OR 56 mm, SPROCKET HOLES SHALL BE SET ON BOTH SIDES OF REEL AS SHOWN ON THIS DRAWING.
  - 6 DETAIL OF PART NO. LABEL IS WRITTEN IN JAPANESE.
  - 7 MATERIAL IS SHOWN IN TABLE.
  8. THE REEL IS POLYETHYLENE PACKAGED WITH AN DRY AGENT INSIDE FOR MOISTURE-PROOF PACKAGING.
  9. FOR THE STORAGE OF 168 HOURS OR MORE AFTER OPENING THE PACKAGE, KEEP THE PRODUCTS UNDER MOISTURE PROOF CONDITIONS.
  10. EXCEPT ON THE MATING SURFACE, COMPONENT INFLATION DOES NOT AFFECT THE PRODUCTS PERFORMANCE.



6 DETAIL OF PART No. LABEL

SUPPLIER	
QUANTITY	
PART No.	
CODE No.	
DATE OF MANUFACTURED	
生産月日	年 月 日
図番	CL543-*****-21
品名	DF3Z-*P-2H(21)
納入数量	1000k
納入者	ヒロセ電機(株)

NO.	MATERIAL	FINISH, REMARKS	NO.	MATERIAL	FINISH, REMARKS		
CODE NO. (OLD)	CL		DRAWN	DESIGNED	CHECKED	APPROVED	RELEASED
			M.Nakamoto	H.Umehara	T.Miyazaki	T.Oma	
			'04.03.30	'04.03.30	'04.03.30	'04.03.31	
SCALE	FR:EE	DRAWING NO.	PART NO.				
		EDC3-305940-11	DF3Z-*P-2H(21)				
UNITS	mm	HRS	CODE NO.				
		HIROSE ELECTRIC CO., LTD	CL543-				