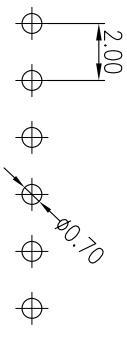
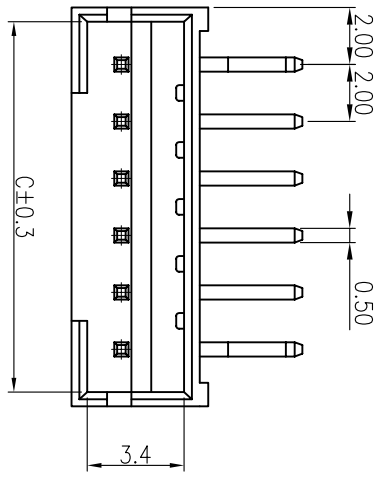
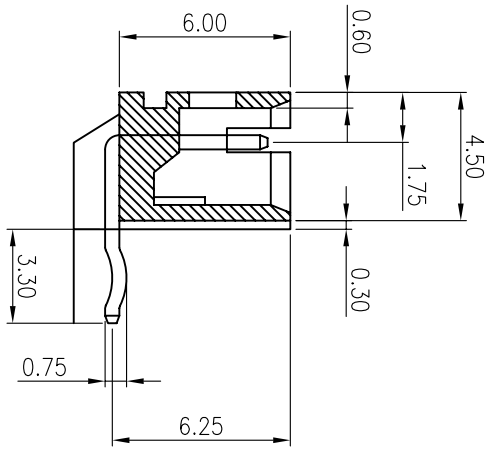
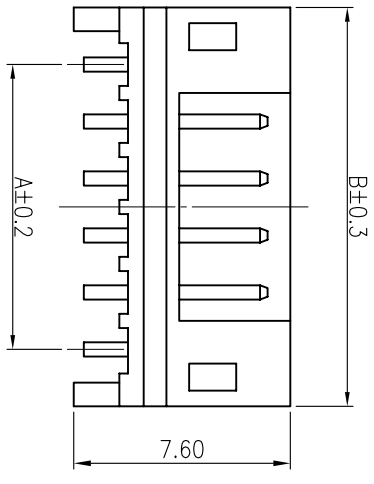


REVISIONS		1	2	3	4	5	6	7	8
SYM	DESCRIPTION	DATE	APPROVED	SYM	DESCRIPTION	DATE	APPROVED		
Δ				Δ					
Δ				Δ					
**CUSTOMER DRAWING FOR REFERENCE ONLY, SAMPLES APPROVAL ARE REQUIRED!!									008



PCB LAYOUT



PART NO.	POLES	DIMENSION		
		A	B	C
MCb001-Pd02T	2	2.0	6.0	5.0
MCb001-Pd03T	3	4.0	8.0	7.0
MCb001-Pd04T	4	6.0	10.0	9.0
MCb001-Pd05T	5	8.0	12.0	11.0
MCb001-Pd06T	6	10.0	14.0	13.0
MCb001-Pd07T	7	12.0	16.0	15.0
MCb001-Pd08T	8	14.0	18.0	17.0
MCb001-Pd09T	9	16.0	20.0	19.0
MCb001-Pd10T	10	18.0	22.0	21.0
MCb001-Pd11T	11	20.0	24.0	23.0
MCb001-Pd12T	12	22.0	26.0	25.0
MCb001-Pd13T	13	24.0	28.0	27.0
MCb001-Pd14T	14	26.0	30.0	29.0
MCb001-Pd15T	15	28.0	32.0	31.0
MCb001-Pd16T	16	30.0	34.0	33.0

ORDER INFORMATION
 MCB001-PdXXXT
 MC: WAFER SERIES
 b: PITCH = 2.00mm
 001: SERIES NO.
 Pd: PCB TYPE, RIGHT ANGLE
 XX: NO. OF CONTACTS
 T: TIN PLATED

TOLERANCES UNLESS OTHERWISE SPECIFIED		SIGNATURES		DATE	MODEL
±0.25		DRAWN	AARON	07/NOV/07	WAFER
Δ	mm	CHECKED	WENDY	07/NOV/07	NO.
4/1	SCALE	APPROVALS			MCb001-Pd__T

MMT CORPORATION