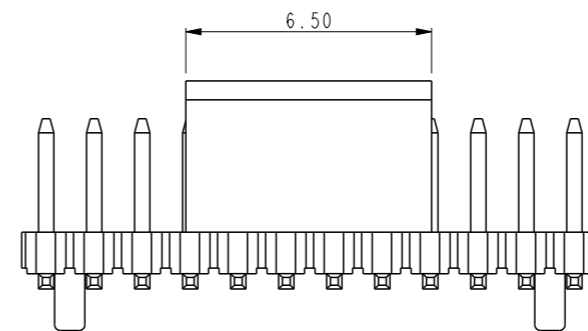
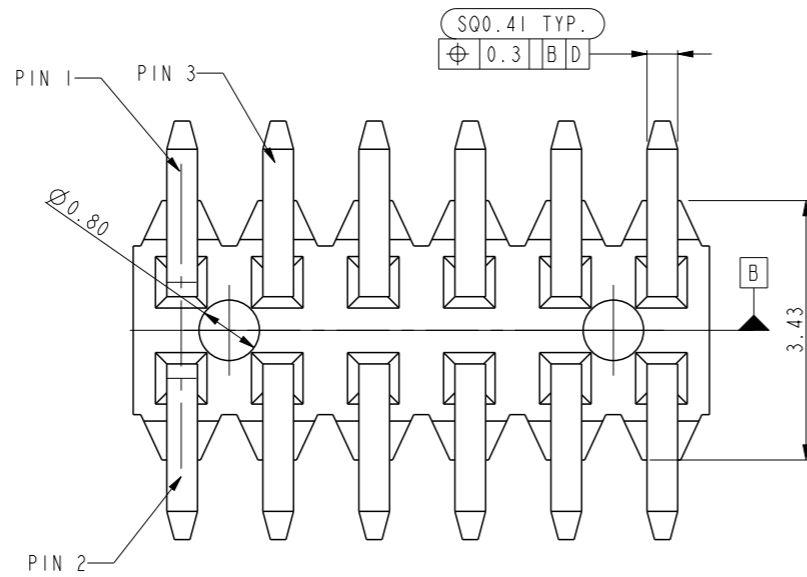
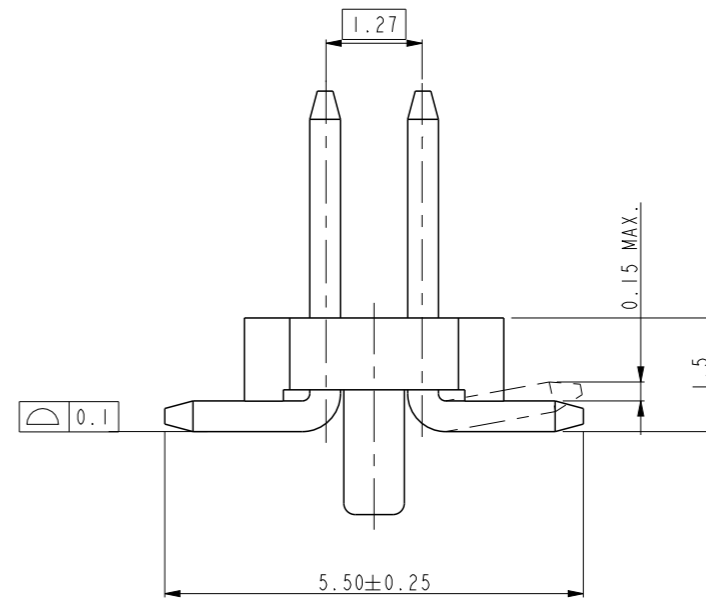
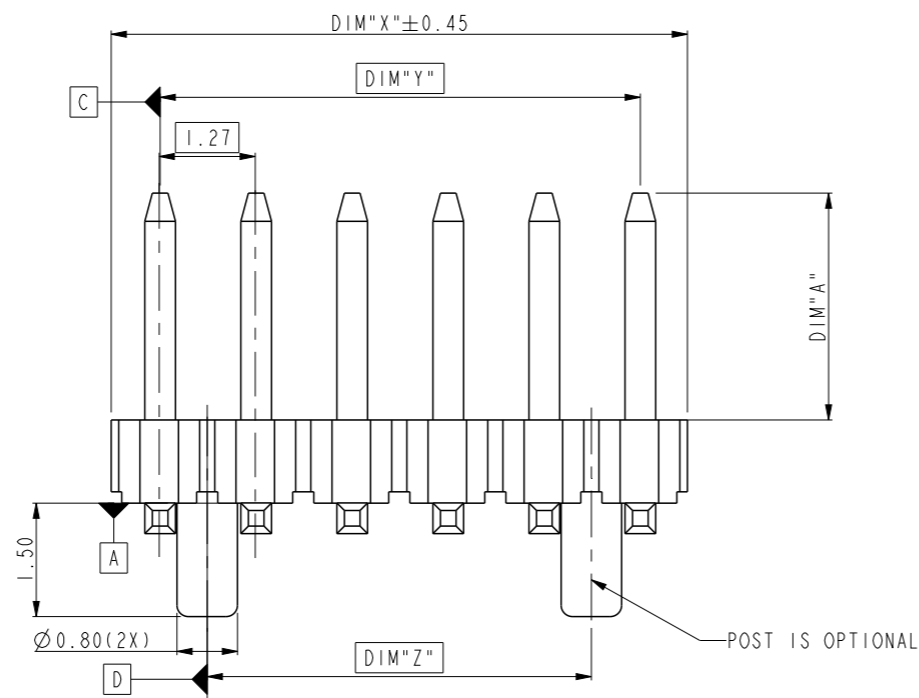
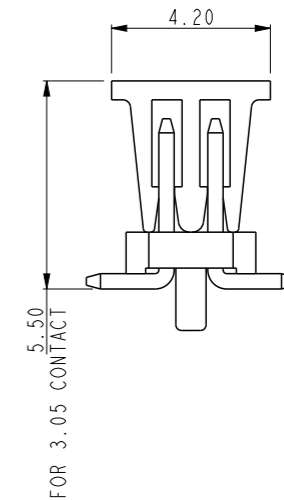


PART NO.
10122279



SCALE 5.000

PRODUCT WITH CAP



NOTES:

1. MATERIAL:
HOUSING: HIGH TEMPERATURE THERMOPLASTIC, UL94-V0 BLACK.
TERMINAL: COPPER ALLOY
2. THE HOUSING WILL WITHSTAND EXPOSURE TO 260°C PEAK TEMPERATURE FOR 10 SECONDS IN A CONVECTION INFRA-RED OR VAPOR PHASE REFLOW OVEN.
3. THIS PRODUCT MEETS EUROPEAN UNION DIRECTIVES AND OTHER COUNTRY REGULATIONS AS DESCRIBED IN GS-22-008.
4. PRODUCT SPEC: GS-12-1101
5. PACKAGE SPEC: GS-14-2274

spec ref	dr	Zheng-Kun Hu	2012/12/27	projection	MM	size	A3	scale	10.000
tolerance std	eng	Zheng-Kun Hu	2013/01/02			ecn no	-	rel level	Released
ISO 1101 ISO 406	chr	-	-						
surface	appr	Rick Bian	2013/01/02	product family					
ISO 1101	linear	0.X	±0.30		TITLE MINITEK 127 UBSHROUDED HDR VT SMT	dwg no 10122279	rev A	angular 2° ±2°	
		0.XX	±0.20					www.fci.com	
		0.XXX	±0.10					cat. no.	
				Product - Customer Drw		sheet 1 of 3			



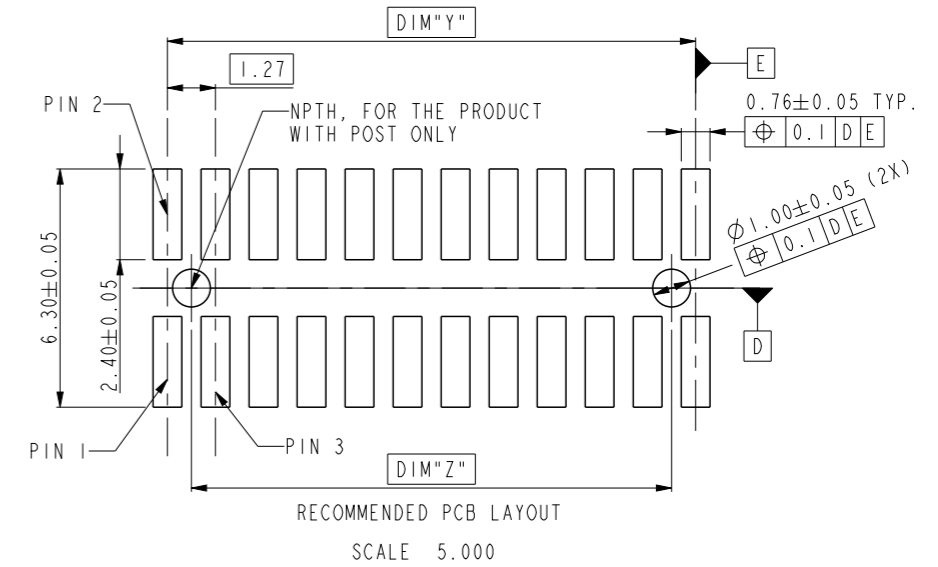
Copyright FCI.

PART NO.	POS.	DIM"X"	DIM"Y"	DIM"Z"
10122279-X10X1XXLF	2 X 5	6.35	5.08	3.81
10122279-X12X1XXLF	2 X 6	7.62	6.35	5.08
10122279-X14X1XXLF	2 X 7	8.89	7.62	6.35
10122279-X16X1XXLF	2 X 8	10.16	8.89	7.62
10122279-X18X1XXLF	2 X 9	11.43	10.16	8.89
10122279-X20X1XXLF	2 X 10	12.70	11.43	10.16
10122279-X22X1XXLF	2 X 11	13.97	12.70	11.43
10122279-X24X1XXLF	2 X 12	15.24	13.97	12.70
10122279-X26X1XXLF	2 X 13	16.51	15.24	13.97
10122279-X28X1XXLF	2 X 14	17.78	16.51	15.24
10122279-X30X1XXLF	2 X 15	19.05	17.78	16.51
10122279-X32X1XXLF	2 X 16	20.32	19.05	17.78
10122279-X34X1XXLF	2 X 17	21.59	20.32	19.05
10122279-X36X1XXLF	2 X 18	22.86	21.59	20.32
10122279-X38X1XXLF	2 X 19	24.13	22.86	21.59
10122279-X40X1XXLF	2 X 20	25.40	24.13	22.86
10122279-X42X1XXLF	2 X 21	26.67	25.40	24.13
10122279-X44X1XXLF	2 X 22	27.94	26.67	25.40
10122279-X46X1XXLF	2 X 23	29.21	27.94	26.67
10122279-X48X1XXLF	2 X 24	30.48	29.21	27.94
10122279-X50X1XXLF	2 X 25	31.75	30.48	29.21
10122279-X52X1XXLF	2 X 26	33.02	31.75	30.48
10122279-X54X1XXLF	2 X 27	34.29	33.02	31.75
10122279-X56X1XXLF	2 X 28	35.56	34.29	33.02
10122279-X58X1XXLF	2 X 29	36.83	35.56	34.29
10122279-X60X1XXLF	2 X 30	38.10	36.83	35.56
10122279-X62X1XXLF	2 X 31	39.37	38.10	36.83
10122279-X64X1XXLF	2 X 32	40.64	39.37	38.10
10122279-X66X1XXLF	2 X 33	41.91	40.64	39.37
10122279-X68X1XXLF	2 X 34	43.18	41.91	40.64
10122279-X70X1XXLF	2 X 35	44.45	43.18	41.91
10122279-X72X1XXLF	2 X 36	45.72	44.45	43.18
10122279-X74X1XXLF	2 X 37	46.99	45.72	44.45
10122279-X76X1XXLF	2 X 38	48.26	46.99	45.72
10122279-X78X1XXLF	2 X 39	49.53	48.26	46.99
10122279-X80X1XXLF	2 X 40	50.80	49.53	48.26
10122279-X82X1XXLF	2 X 41	52.07	50.80	49.53
10122279-X84X1XXLF	2 X 42	53.34	52.07	50.80
10122279-X86X1XXLF	2 X 43	54.61	53.34	52.07
10122279-X88X1XXLF	2 X 44	55.88	54.61	53.34
10122279-X90X1XXLF	2 X 45	57.15	55.88	54.61

PART NO.	POS.	DIM"X"	DIM"Y"	DIM"Z"
10122279-X92X1XXLF	2 X 46	58.42	57.15	55.88
10122279-X94X1XXLF	2 X 47	59.69	58.42	57.15
10122279-X96X1XXLF	2 X 48	60.96	59.69	58.42
10122279-X98X1XXLF	2 X 49	62.23	60.96	59.69
10122279-XA0X1XXLF	2 X 50	63.50	62.23	60.96

10122279-X XX X X X X LF

- LEAD FREE
- PACKING STYLE
- T: TUBE
- B: TUBE + CAP
- R: TAPE & REEL + CAP
- RESERVE CODE
- 0: STANDARD
- POST OPTION
- 0: WITHOUT POST
- 1: WITH POST
- MATING LENGTH(DIM"A")
- 0: 3.05MM
- PIN NO. SEE TABLE
- PLATING ON CONTACT AREA
- 1: GOLD FLASH AT CONTACT, 2.54um MIN. MATTE TIN AT TAIL
- 2: GOLD FLASH AT CONTACT, GOLD FLASH AT TAIL
- 3: 0.25um Au MIN. AT CONTACT, 2.54um MIN. MATTE TIN AT TAIL
- 4: 0.25um Au MIN. AT CONTACT, GOLD FLASH AT TAIL
- 5: 0.38um GXT MIN. AT CONTACT, 2.54um MIN. MATTE TIN AT TAIL
- 6: 0.38um GXT MIN. AT CONTACT, GOLD FLASH AT TAIL
- 7: 0.76um GXT MIN. AT CONTACT, 2.54um MIN. MATTE TIN AT TAIL
- 8: 0.76um GXT MIN. AT CONTACT, GOLD FLASH AT TAIL



Copyright FCI.

spec ref	dr	Zheng-Kun Hu	2012/12/27	projection	MM	size	A3	scale	5.000
tolerance std	eng	Zheng-Kun Hu	2013/01/02			ecn no	-	rel level	Released
ISO 1101 ISO 406	chr	-	-						
surface	linear	0.X	±0.30		MINITEK 127 UBSHROUDED HDR VT SMT	dwg no	10122279	rev	A
		0.XX	±0.20						
ISO 1101	angular	0°	±2°	www.fci.com	cat. no.	Product - Customer Drw	sheet 2 of 3		

PART NO.	POS.	DIM"X"	DIM"Y"
10122279-X04X0XXLF	2 X 2	2.54	1.27
10122279-X06X0XXLF	2 X 3	3.81	2.54
10122279-X08X0XXLF	2 X 4	5.08	3.81
10122279-X10X0XXLF	2 X 5	6.35	5.08
10122279-X12X0XXLF	2 X 6	7.62	6.35
10122279-X14X0XXLF	2 X 7	8.89	7.62
10122279-X16X0XXLF	2 X 8	10.16	8.89
10122279-X18X0XXLF	2 X 9	11.43	10.16
10122279-X20X0XXLF	2 X 10	12.70	11.43
10122279-X22X0XXLF	2 X 11	13.97	12.70
10122279-X24X0XXLF	2 X 12	15.24	13.97
10122279-X26X0XXLF	2 X 13	16.51	15.24
10122279-X28X0XXLF	2 X 14	17.78	16.51
10122279-X30X0XXLF	2 X 15	19.05	17.78
10122279-X32X0XXLF	2 X 16	20.32	19.05
10122279-X34X0XXLF	2 X 17	21.59	20.32
10122279-X36X0XXLF	2 X 18	22.86	21.59
10122279-X38X0XXLF	2 X 19	24.13	22.86
10122279-X40X0XXLF	2 X 20	25.40	24.13
10122279-X42X0XXLF	2 X 21	26.67	25.40
10122279-X44X0XXLF	2 X 22	27.94	26.67
10122279-X46X0XXLF	2 X 23	29.21	27.94
10122279-X48X0XXLF	2 X 24	30.48	29.21
10122279-X50X0XXLF	2 X 25	31.75	30.48
10122279-X52X0XXLF	2 X 26	33.02	31.75
10122279-X54X0XXLF	2 X 27	34.29	33.02
10122279-X56X0XXLF	2 X 28	35.56	34.29
10122279-X58X0XXLF	2 X 29	36.83	35.56
10122279-X60X0XXLF	2 X 30	38.10	36.83
10122279-X62X0XXLF	2 X 31	39.37	38.10
10122279-X64X0XXLF	2 X 32	40.64	39.37
10122279-X66X0XXLF	2 X 33	41.91	40.64
10122279-X68X0XXLF	2 X 34	43.18	41.91
10122279-X70X0XXLF	2 X 35	44.45	43.18
10122279-X72X0XXLF	2 X 36	45.72	44.45
10122279-X74X0XXLF	2 X 37	46.99	45.72
10122279-X76X0XXLF	2 X 38	48.26	46.99
10122279-X78X0XXLF	2 X 39	49.53	48.26
10122279-X80X0XXLF	2 X 40	50.80	49.53
10122279-X82X0XXLF	2 X 41	52.07	50.80
10122279-X84X0XXLF	2 X 42	53.34	52.07
10122279-X86X0XXLF	2 X 43	54.61	53.34
10122279-X88X0XXLF	2 X 44	55.88	54.61
10122279-X90X0XXLF	2 X 45	57.15	55.88

PART NO.	POS.	DIM"X"	DIM"Y"
10122279-X92X0XXLF	2 X 46	58.42	57.15
10122279-X94X0XXLF	2 X 47	59.69	58.42
10122279-X96X0XXLF	2 X 48	60.96	59.69
10122279-X98X0XXLF	2 X 49	62.23	60.96
10122279-XA0X0XXLF	2 X 50	63.50	62.23

spec ref	dr	Zheng-Kun Hu	2012/12/27	projection	MM	size	A3	scale	1.000
tolerance std	eng	Zheng-Kun Hu	2013/01/02		← →	ecn no	-	rel level	
ISO 1101 ISO 406	chr	-	-			Released			
surface <input checked="" type="checkbox"/>	linear	0.X	±0.30		MINITEK 127 UBSHROUDED HDR	dwg no	10122279	rev	A
		0.XX	±0.20						
		0.XXX	±0.10						
ISO 1101	angular	0°	±2°	www.fci.com	cat. no.	Product - Customer Drw		sheet 3 of 3	



Copyright FCI.